



(43) International Publication Date
27 December 2012 (27.12.2012)

(51) International Patent Classification:

A61B 19/00 (2006.01) A61H 35/00 (2006.01)
A47K 10/48 (2006.01) A61H 33/00 (2006.01)
A61H 33/08 (2006.01)

(21) International Application Number:

PCT/GB2012/051444

(22) International Filing Date:

21 June 2012 (21.06.2012)

(25) Filing Language:

English

(26) Publication Language:

English

(30) Priority Data:

1110571.5 22 June 2011 (22.06.2011) GB

(71) Applicant (for all designated States except US):

WALLGATE LIMITED [GB/GB]; Crow Lane, Wilton,
Salisbury Wiltshire SP2 0HB (GB).

(72) Inventors; and

(75) Inventors/Applicants (for US only): RENFREW, Andrew

Boulton [GB/GB]; Lapley House, Park Lane, Lapley
Staffordshire ST19 9JT (GB). DENBURY, Richard
[GB/GB]; c/o Wallgate Limited, Crow Lane, Wilton, Salis-
bury Wiltshire SP2 0HB (GB). BEALE, David [GB/GB];
c/o Wallgate Limited, Crow Lane, Wilton, Salisbury Wilt-
shire SP2 0HB (GB).

(74) Agent: KNOWLES, James Atherton; Stevens Hewlett &

Perkins, 1 St Augustines Place, Bristol Bristol BS1 4UD
(GB).

(81) Designated States (unless otherwise indicated, for every

kind of national protection available): AE, AG, AL, AM,
AO, AT, AU, AZ, BA, BB, BG, BH, BR, BW, BY, BZ,
CA, CH, CL, CN, CO, CR, CU, CZ, DE, DK, DM, DO,
DZ, EC, EE, EG, ES, FI, GB, GD, GE, GH, GM, GT, HN,
HR, HU, ID, IL, IN, IS, JP, KE, KG, KM, KN, KP, KR,
KZ, LA, LC, LK, LR, LS, LT, LU, LY, MA, MD, ME,
MG, MK, MN, MW, MX, MY, MZ, NA, NG, NI, NO, NZ,
OM, PE, PG, PH, PL, PT, QA, RO, RS, RU, RW, SC, SD,
SE, SG, SK, SL, SM, ST, SV, SY, TH, TJ, TM, TN, TR,
TT, TZ, UA, UG, US, UZ, VC, VN, ZA, ZM, ZW.

(84) Designated States (unless otherwise indicated, for every

kind of regional protection available): ARIPO (BW, GH,
GM, KE, LR, LS, MW, MZ, NA, RW, SD, SL, SZ, TZ,
UG, ZM, ZW), Eurasian (AM, AZ, BY, KG, KZ, RU, TJ,
TM), European (AL, AT, BE, BG, CH, CY, CZ, DE, DK,
EE, ES, FI, FR, GB, GR, HR, HU, IE, IS, IT, LT, LU, LV,
MC, MK, MT, NL, NO, PL, PT, RO, RS, SE, SI, SK, SM,
TR), OAPI (BF, BJ, CF, CG, CI, CM, GA, GN, GQ, GW,
ML, MR, NE, SN, TD, TG).

Declarations under Rule 4.17:

— of inventorship (Rule 4.17(iv))

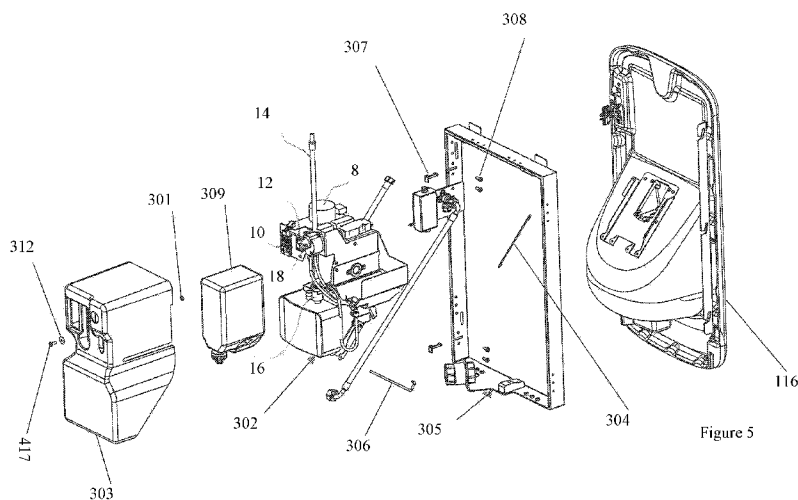
Published:

— with international search report (Art. 21(3))

— before the expiration of the time limit for amending the
claims and to be republished in the event of receipt of
amendments (Rule 48.2(h))

[Continued on next page]

(54) Title: HAND CLEANING APPARATUS



(57) Abstract: Hand cleaning apparatus (1) is disclosed having a frame (305), fixing means for fixing the frame to a structure (2), a facia (116) comprising a hand port (4) for receiving the hands of a user, frame connecting means for connecting the facia to the frame, a chassis (302) and chassis connecting means for connecting the chassis to the facia and/or the frame. Usually, the chassis will include a hand-sensor, an air blower and a connection to a controller, and optionally a soap dispenser and a water dispenser. The apparatus is modular which is of benefit in manufacture, use and maintenance.

(88) Date of publication of the international search report:
7 November 2013

INTERNATIONAL SEARCH REPORT

International application No
PCT/GB2012/051444

A. CLASSIFICATION OF SUBJECT MATTER
 INV. A61B19/00 A47K10/48 A61H33/08 A61H35/00 A61H33/00
 ADD.
 According to International Patent Classification (IPC) or to both national classification and IPC

B. FIELDS SEARCHED
 Minimum documentation searched (classification system followed by classification symbols)
 A47K A61B A61H E03C

Documentation searched other than minimum documentation to the extent that such documents are included in the fields searched

Electronic data base consulted during the international search (name of data base and, where practicable, search terms used)
 EPO-Internal, WPI Data

C. DOCUMENTS CONSIDERED TO BE RELEVANT

Category*	Citation of document, with indication, where appropriate, of the relevant passages	Relevant to claim No.
X	WO 87/00743 A1 (HOFFMAN LOUIS ASS INC [US]) 12 February 1987 (1987-02-12) page 5, line 14 - page 25, last line; figures 1-4	1-15
X	US 4 219 367 A (CARY GEORGE R JR [US] ET AL) 26 August 1980 (1980-08-26) column 2, line 38 - column 5, line 20; figures 1,2	1-15
X	US 3 699 984 A (DAVIS CHARLES T) 24 October 1972 (1972-10-24) the whole document	1-15
X	US 4 295 233 A (HINKEL LESTER H ET AL) 20 October 1981 (1981-10-20) the whole document	1-3,9-15
	-/--	

Further documents are listed in the continuation of Box C. See patent family annex.

* Special categories of cited documents :

"A" document defining the general state of the art which is not considered to be of particular relevance	"T" later document published after the international filing date or priority date and not in conflict with the application but cited to understand the principle or theory underlying the invention
"E" earlier application or patent but published on or after the international filing date	"X" document of particular relevance; the claimed invention cannot be considered novel or cannot be considered to involve an inventive step when the document is taken alone
"L" document which may throw doubts on priority claim(s) or which is cited to establish the publication date of another citation or other special reason (as specified)	"Y" document of particular relevance; the claimed invention cannot be considered to involve an inventive step when the document is combined with one or more other such documents, such combination being obvious to a person skilled in the art
"O" document referring to an oral disclosure, use, exhibition or other means	"&" document member of the same patent family
"P" document published prior to the international filing date but later than the priority date claimed	

Date of the actual completion of the international search 13 September 2013	Date of mailing of the international search report 20/09/2013
--	--

Name and mailing address of the ISA/ European Patent Office, P.B. 5818 Patentlaan 2 NL - 2280 HV Rijswijk Tel. (+31-70) 340-2040, Fax: (+31-70) 340-3016	Authorized officer Zuurveld, Gerben
--	--

INTERNATIONAL SEARCH REPORT

International application No
PCT/GB2012/051444

C(Continuation). DOCUMENTS CONSIDERED TO BE RELEVANT

Category*	Citation of document, with indication, where appropriate, of the relevant passages	Relevant to claim No.
X	US 3 576 277 A (BLACKMAN HERBERT S) 27 April 1971 (1971-04-27) figures 1-11 -----	1

INTERNATIONAL SEARCH REPORT

Information on patent family members

International application No PCT/GB2012/051444

Patent document cited in search report	Publication date	Patent family member(s)	Publication date
WO 8700743	A1	12-02-1987	AU 593277 B2 08-02-1990
			AU 634774 B2 04-03-1993
			AU 664735 B2 30-11-1995
			AU 3563493 A 17-06-1993
			AU 5484590 A 13-09-1990
			AU 6222986 A 05-03-1987
			BR 8606845 A 03-11-1987
			CA 1304725 C 07-07-1992
			DE 3689359 D1 13-01-1994
			DE 3689359 T2 31-03-1994
			EP 0232381 A1 19-08-1987
			EP 0341757 A2 15-11-1989
			ES 2001348 A6 16-05-1988
			JP H0763437 B2 12-07-1995
			JP S63500357 A 12-02-1988
			MX 167737 B 12-04-1993
			NZ 217037 A 27-09-1993
US 4722372 A 02-02-1988			
WO 8700743 A1 12-02-1987			

US 4219367	A	26-08-1980	NONE

US 3699984	A	24-10-1972	NONE

US 4295233	A	20-10-1981	NONE

US 3576277	A	27-04-1971	NONE
