

(19) World Intellectual Property Organization
International Bureau



(43) International Publication Date
27 April 2006 (27.04.2006)

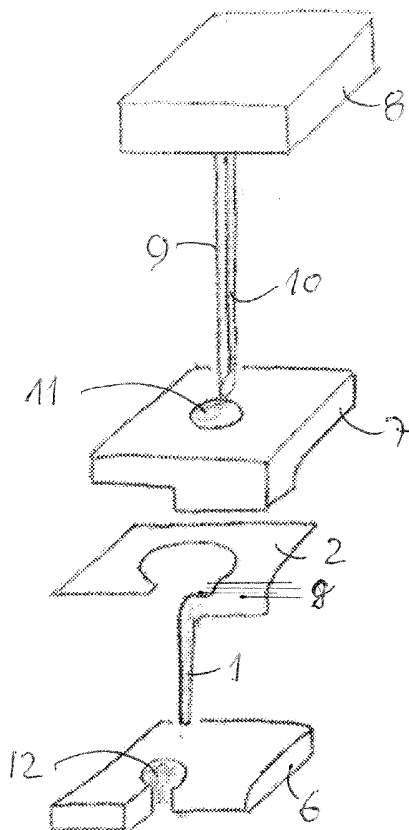
PCT

(10) International Publication Number
WO 2006/042811 A3

- (51) International Patent Classification:
A61B 5/00 (2006.01) G01N 27/403 (2006.01)
C12Q 1/00 (2006.01) G01N 33/487 (2006.01)
- (21) International Application Number:
PCT/EP2005/055175
- (22) International Filing Date: 12 October 2005 (12.10.2005)
- (25) Filing Language: English
- (26) Publication Language: English
- (30) Priority Data:
PA 2004 01591 18 October 2004 (18.10.2004) DK
- (71) Applicant (for all designated States except US): **NOVO NORDISK A/S** [DK/DK]; Novo Allé, DK-2880 Bagsværd (DK).
- (72) Inventor; and
(75) Inventor/Applicant (for US only): **GLEJBØL, Kristian** [DK/DK]; Kvædehaven 109, DK-2600 Glostrup (DK).
- (74) Common Representative: **NOVO NORDISK A/S**; Corporate Patents, Novo Allé, DK-2880 Bagsværd (DK).
- (81) Designated States (unless otherwise indicated, for every kind of national protection available): AE, AG, AL, AM, AT, AU, AZ, BA, BB, BG, BR, BW, BY, BZ, CA, CH, CN, CO, CR, CU, CZ, DE, DK, DM, DZ, EC, EE, EG, ES, FI, GB, GD, GE, GH, GM, HR, HU, ID, IL, IN, IS, JP, KE, KG, KM, KP, KR, KZ, LC, LK, LR, LS, LT, LU, LV, LY, MA, MD, MG, MK, MN, MW, MX, MZ, NA, NG, NI, NO, NZ, OM, PG, PH, PL, PT, RO, RU, SC, SD, SE, SG, SK, SL, SM, SY, TJ, TM, TN, TR, TT, TZ, UA, UG, US, UZ, VC, VN, YU, ZA, ZM, ZW.
- (84) Designated States (unless otherwise indicated, for every kind of regional protection available): ARIPO (BW, GH, GM, KE, LS, MW, MZ, NA, SD, SL, SZ, TZ, UG, ZM, ZW), Eurasian (AM, AZ, BY, KG, KZ, MD, RU, TJ, TM), European (AT, BE, BG, CH, CY, CZ, DE, DK, EE, ES, FI, FR, GB, GR, HU, IE, IS, IT, LT, LU, LV, MC, NL, PL, PT, RO, SE, SI, SK, TR), OAPI (BF, BJ, CF, CG, CI, CM, GA, GN, GQ, GW, ML, MR, NE, SN, TD, TG).
- Published:
— with international search report

[Continued on next page]

(54) Title: A SENSOR FILM FOR TRANSCUTANEOUS INSERTION AND A METHOD FOR MAKING THE SENSOR FILM



(57) Abstract: There is provided a thin film (1,2 or 1,3, fig. 1 and 2) for transcutaneous insertion by means of a needle assembly or the like. The sensor film comprises an elongate electrode part (1) which is integral with a contact part (2, 3). According to the invention the contact part (2, 3) extends to both sides of at least one axial plane that contains a longitudinal axis of the electrode part (1). Thereby it is obtained that a needle assembly containing the sensor film can be a compact unit while simultaneously the contact part is configured such that the opportunities of contacting and fixating and using the sensor film to advantage are improved considerably compared to the achievement of the prior art.

WO 2006/042811 A3



— *before the expiration of the time limit for amending the claims and to be republished in the event of receipt of amendments*

For two-letter codes and other abbreviations, refer to the "Guidance Notes on Codes and Abbreviations" appearing at the beginning of each regular issue of the PCT Gazette.

(88) Date of publication of the international search report:

10 August 2006

INTERNATIONAL SEARCH REPORT

International application No
PCT/EP2005/055175

A. CLASSIFICATION OF SUBJECT MATTER

INV. A61B5/00 C12Q1/00 G01N27/403 G01N33/487

According to International Patent Classification (IPC) or to both national classification and IPC

B. FIELDS SEARCHED

Minimum documentation searched (classification system followed by classification symbols)

A61B C12Q G01N

Documentation searched other than minimum documentation to the extent that such documents are included in the fields searched

Electronic data base consulted during the international search (name of data base and, where practical, search terms used)

EPO-Internal, PAJ

C. DOCUMENTS CONSIDERED TO BE RELEVANT

Category*	Citation of document, with indication, where appropriate, of the relevant passages	Relevant to claim No.
X	US 6 484 045 B1 (HOLKER JAMES D ET AL) 19 November 2002 (2002-11-19) column 14, lines 14-56; figures 26-28 -----	1-12

 Further documents are listed in the continuation of Box C. See patent family annex.

* Special categories of cited documents :

"A" document defining the general state of the art which is not considered to be of particular relevance

"E" earlier document but published on or after the international filing date

"L" document which may throw doubts on priority claim(s) or which is cited to establish the publication date of another citation or other special reason (as specified)

"O" document referring to an oral disclosure, use, exhibition or other means

"P" document published prior to the international filing date but later than the priority date claimed

"T" later document published after the international filing date or priority date and not in conflict with the application but cited to understand the principle or theory underlying the invention

"X" document of particular relevance; the claimed invention cannot be considered novel or cannot be considered to involve an inventive step when the document is taken alone

"Y" document of particular relevance; the claimed invention cannot be considered to involve an inventive step when the document is combined with one or more other such documents, such combination being obvious to a person skilled in the art.

"&" document member of the same patent family

Date of the actual completion of the international search

17 January 2006

Date of mailing of the international search report

13.06.2006

Name and mailing address of the ISA/

European Patent Office, P.B. 5818 Patentlaan 2
NL - 2280 HV Rijswijk
Tel. (+31-70) 340-2040, Tx. 31 651 epo nl,
Fax: (+31-70) 340-3016

Authorized officer

Martelli, L

INTERNATIONAL SEARCH REPORT

International application No.
PCT/EP2005/055175

Box II Observations where certain claims were found unsearchable (Continuation of item 2 of first sheet)

This International Search Report has not been established in respect of certain claims under Article 17(2)(a) for the following reasons:

1. Claims Nos.:
because they relate to subject matter not required to be searched by this Authority, namely:

2. Claims Nos.:
because they relate to parts of the International Application that do not comply with the prescribed requirements to such an extent that no meaningful International Search can be carried out, specifically:

3. Claims Nos.:
because they are dependent claims and are not drafted in accordance with the second and third sentences of Rule 6.4(a).

Box III Observations where unity of invention is lacking (Continuation of item 3 of first sheet)

This International Searching Authority found multiple inventions in this international application, as follows:

see additional sheet

1. As all required additional search fees were timely paid by the applicant, this International Search Report covers all searchable claims.

2. As all searchable claims could be searched without effort justifying an additional fee, this Authority did not invite payment of any additional fee.

3. As only some of the required additional search fees were timely paid by the applicant, this International Search Report covers only those claims for which fees were paid, specifically claims Nos.:

4. No required additional search fees were timely paid by the applicant. Consequently, this International Search Report is restricted to the invention first mentioned in the claims; it is covered by claims Nos.:

1-12

Remark on Protest

The additional search fees were accompanied by the applicant's protest.

No protest accompanied the payment of additional search fees.

FURTHER INFORMATION CONTINUED FROM PCT/ISA/ 210

This International Searching Authority found multiple (groups of) inventions in this international application, as follows:

1. claims: 1-12

sensor film with electrode for transcutaneous insertion and extended contact part

1.1. claims: 1-6,9-11

Omega-shaped contact part; folded contact part.

1.2. claims: 7,8

Contact pads perpendicular to the longitudinal axis of the electrode part.

1.3. claim: 12

Twisted electrode part

2. claims: 13-17

sensor film with recess in the contact part.

INTERNATIONAL SEARCH REPORT

Information on patent family members

International application No

PCT/EP2005/055175

Patent document cited in search report	Publication date	Patent family member(s)	Publication date
--	------------------	-------------------------	------------------

US 6484045	B1	19-11-2002	NONE
------------	----	------------	------
