



US00RE47281E

(19) **United States**
(12) **Reissued Patent**
Williams

(10) **Patent Number:** **US RE47,281 E**
(45) **Date of Reissued Patent:** **Mar. 12, 2019**

- (54) **V-SHAPED FOUR BICYCLE CARRIER**
- (71) Applicant: **LET'S GO AERO, INC.**, Colorado Springs, CO (US)
- (72) Inventor: **Marty Williams**, Colorado Springs, CO (US)
- (21) Appl. No.: **29/649,450**
- (22) Filed: **May 30, 2018**

5,588,574 A * 12/1996 Schmidt B60R 9/06
224/518
5,950,892 A * 9/1999 Tsai B60R 9/06
224/497
D434,362 S * 11/2000 McCoy et al. D12/406
D436,074 S * 1/2001 McCoy et al. D12/407
8,367,919 B2 * 2/2013 Belitz et al. G10G 5/00
84/453
D684,917 S * 6/2013 Williams D12/408
(Continued)

Related U.S. Patent Documents

Reissue of:

- (64) Patent No.: **Des. 722,289**
- Issued: **Feb. 10, 2015**
- Appl. No.: **29/454,713**
- Filed: **May 13, 2013**

U.S. Applications:

- (63) Continuation-in-part of application No. 11/697,294, filed on Apr. 5, 2007, now Pat. No. 8,899,456.
- (51) **LOC (11) Cl.** **12-16**
- (52) **U.S. Cl.**
USPC **D12/408**
- (58) **Field of Classification Search**
USPC D12/406, 407, 408, 412, 414
CPC .. B60R 9/10; B60R 9/04; B60R 11/00; B60R 9/045; B60R 9/048
See application file for complete search history.

(56) **References Cited**

U.S. PATENT DOCUMENTS

- 1,440,471 A * 1/1923 Kohler G10G 5/00
248/434
- 5,320,227 A * 6/1994 Minoura B25H 1/0014
211/22
- 5,375,497 A * 12/1994 Pirchio et al. G10G 5/00
248/443
- 5,388,736 A * 2/1995 Schmidt B60R 9/06
224/520

Primary Examiner — Philip S Hyder

(74) *Attorney, Agent, or Firm* — Lynette Wylie; Apex Juris, pllc.

(57)

CLAIM

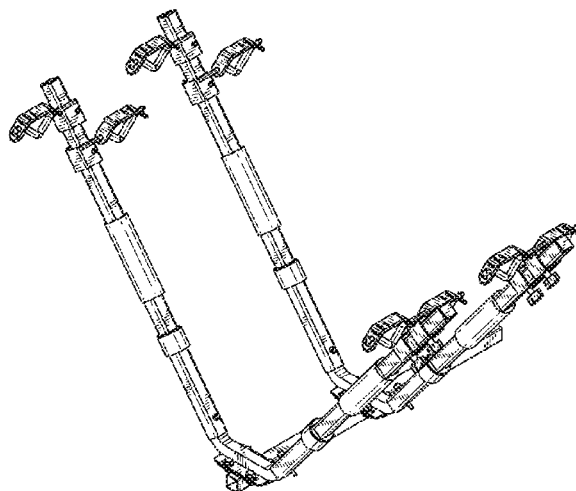
The ornamental design for a V-shaped four bicycle carrier, as shown and described.

DESCRIPTION

FIG. 1 is an elevated angled view of the V-shaped four bicycle carrier.
 FIG. 2 is an exploded view of the V-shaped four bicycle carrier components.
 FIG. 3 is a front view of the V-shaped four bicycle carrier with a bicycle attached thereto.
 FIG. 4 is a back side view of the V-shaped four bicycle carrier.
 FIG. 5 is a front side view of the V-shaped four bicycle carrier.
 FIG. 6 is a side view of the V-shaped four bicycle carrier.
 FIG. 7 is a top view of the V-shaped four bicycle carrier; and, FIG. 8 is a bottom side view of the V-shaped four bicycle carrier.
 The broken lines illustrate unclaimed environmental structure.

1 Claim, 8 Drawing Sheets

Matter enclosed in heavy brackets [] appears in the original patent but forms no part of this reissue; matter printed in italics indicates the additions made by reissue.



(56)

References Cited

U.S. PATENT DOCUMENTS

2004/0256430	A1*	12/2004	Wang	B60R 9/06 224/520
2005/0205629	A1*	9/2005	Wang	B60R 9/06 224/519
2007/0012634	A1*	1/2007	Huang	B60R 9/10 211/17
2008/0073395	A1*	3/2008	Reeves et al.	B60R 9/10 224/324
2008/0135697	A1*	6/2008	Workman et al.	F16M 11/16 248/177.1
2011/0049208	A1*	3/2011	Wang	B60R 9/06 224/520
2011/0240700	A1*	10/2011	Williams	B60R 9/10 224/518
2012/0000952	A1*	1/2012	Dreger et al.	B60R 9/10 224/533
2014/0151421	A1*	6/2014	Loken	B60R 9/10 224/519

* cited by examiner

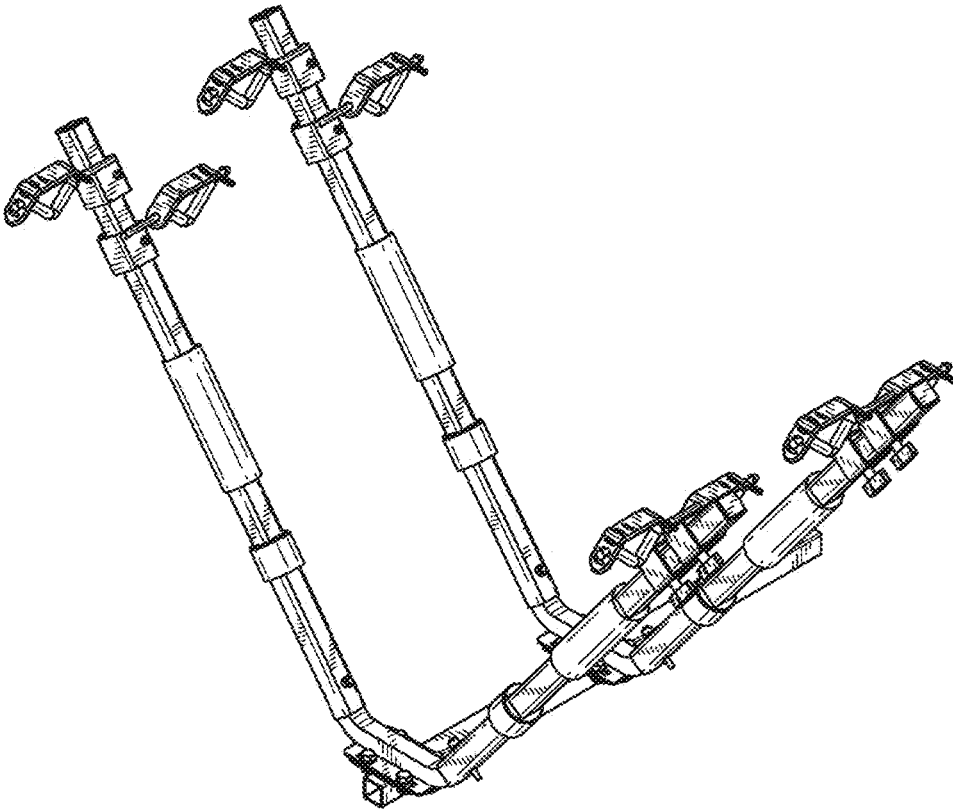


FIG. 1

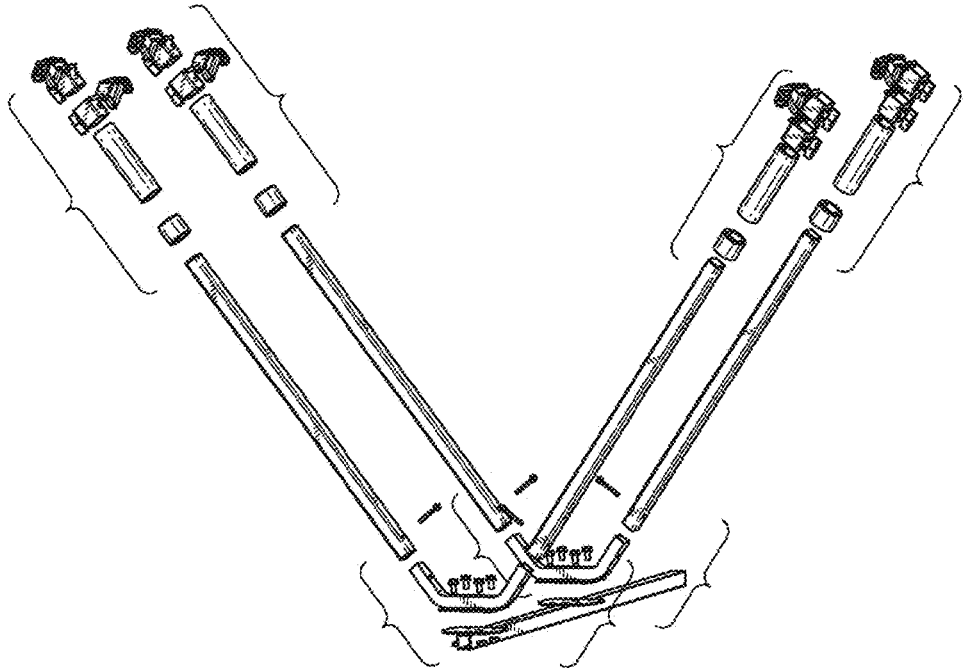


FIG. 2

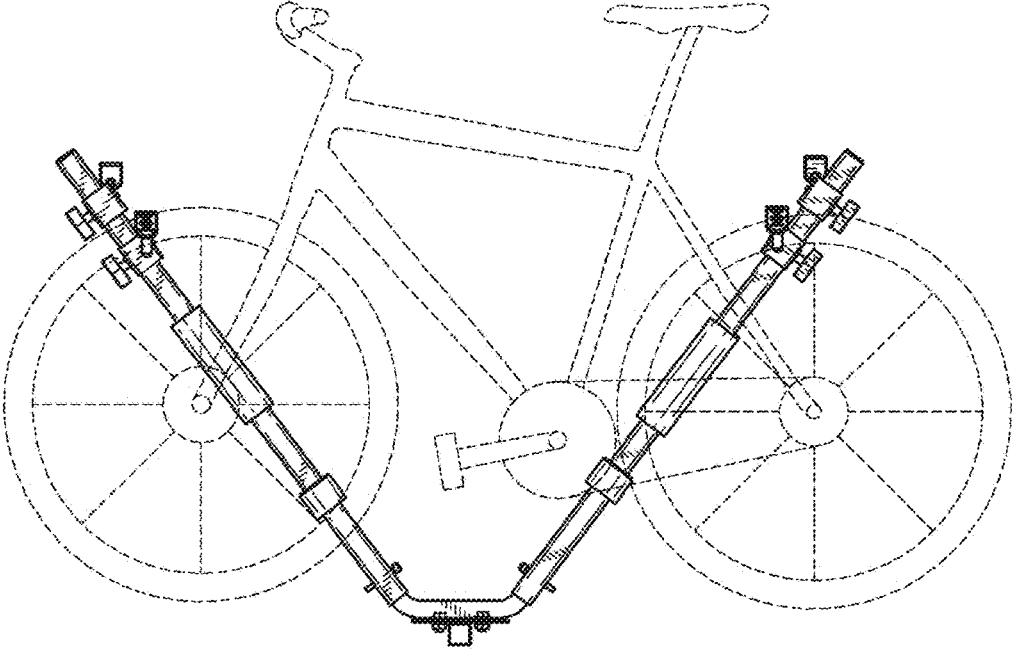


FIG. 3

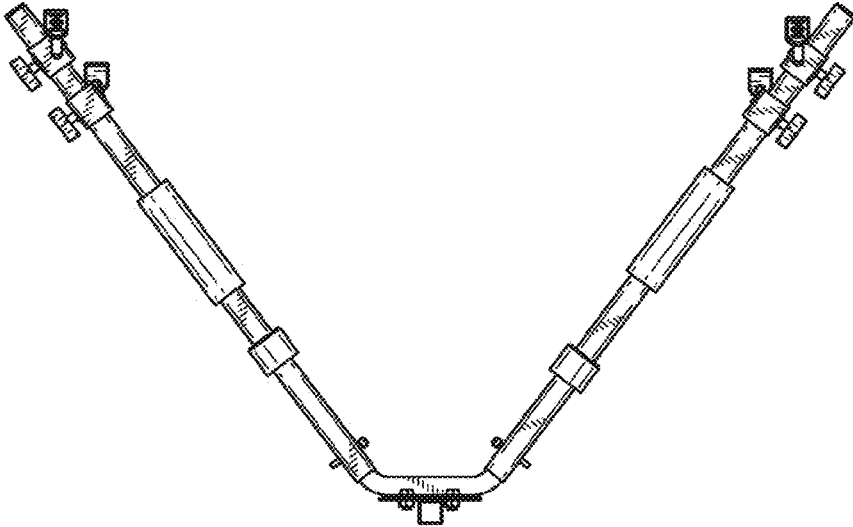


FIG. 4

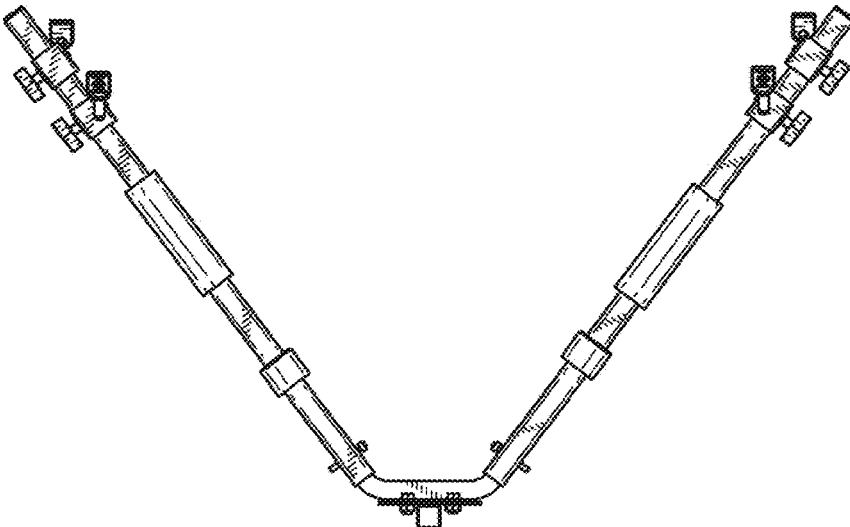


FIG. 5

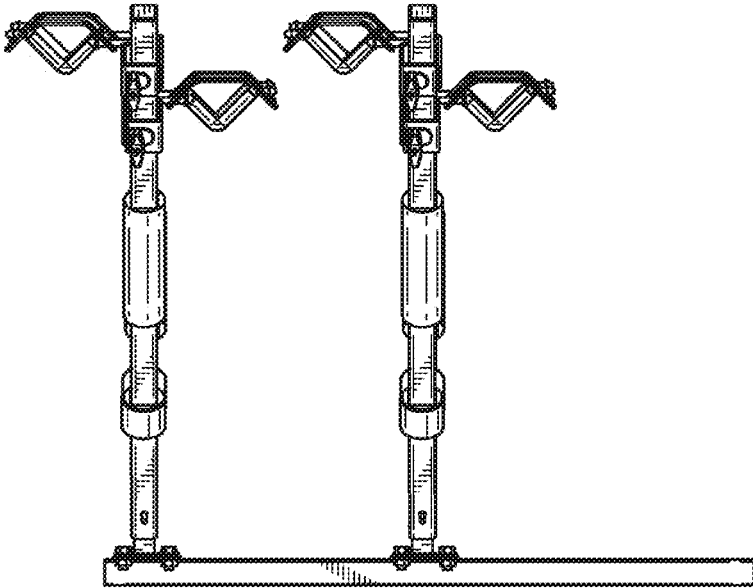


FIG. 6

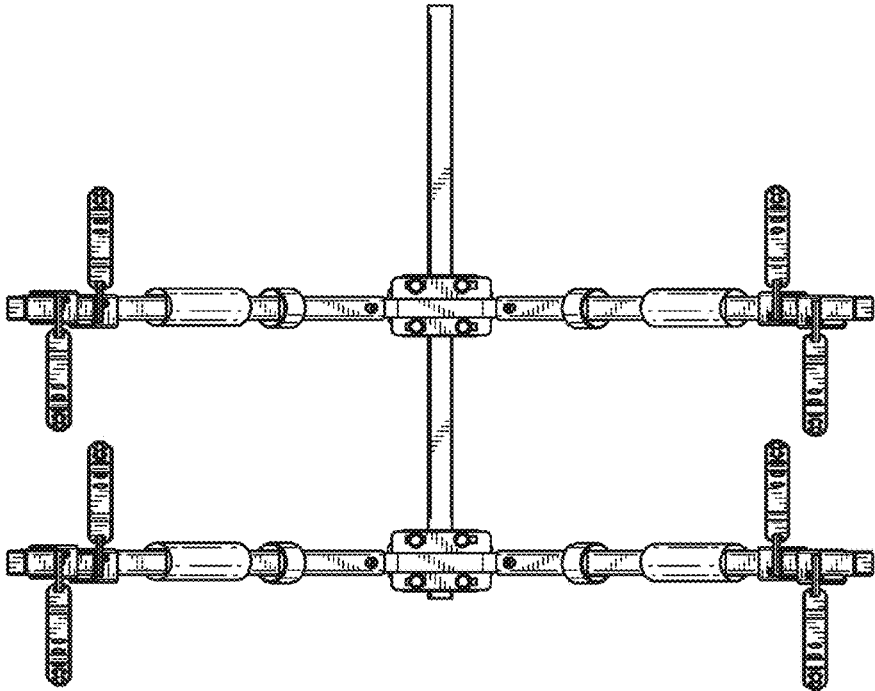


FIG. 7

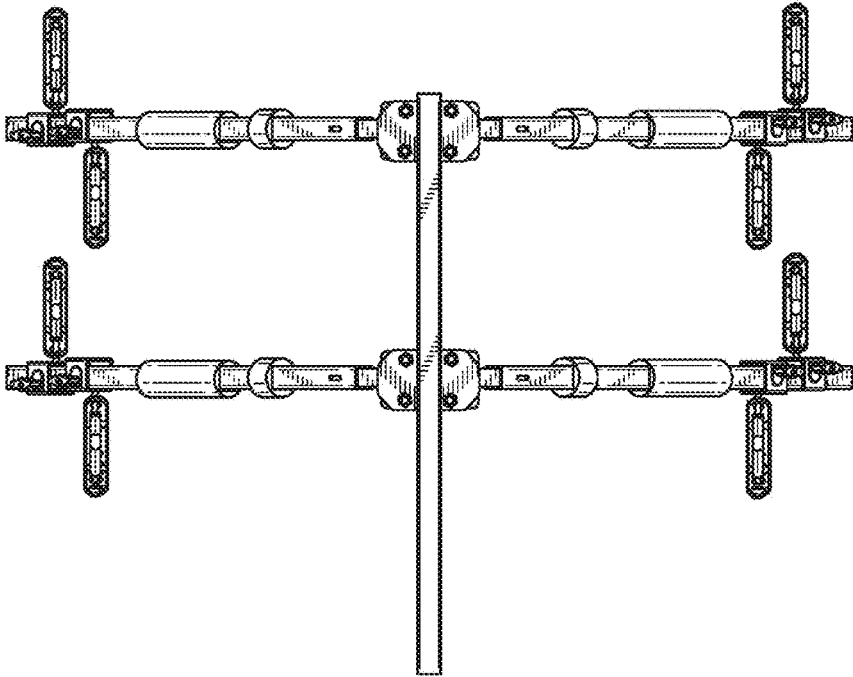


FIG. 8