



US00D789537S

(12) **United States Design Patent**  
**Korenfeld et al.**

(10) **Patent No.:** **US D789,537 S**

(45) **Date of Patent:** **\*\* \*Jun. 13, 2017**

(54) **OPHTHALMIC SURGICAL MANIPULATOR**

(71) Applicant: **Katalyst Surgical, LLC**, Chesterfield, MO (US)

(72) Inventors: **Michael S Korenfeld**, Wildwood, MO (US); **Gregg D Scheller**, Wildwood, MO (US); **Eric J Bass**, Webster Groves, MO (US)

(73) Assignee: **Katalyst Surgical, LLC**, Chesterfield, MO (US)

(\* ) Notice: This patent is subject to a terminal disclaimer.

(\*\*) Term: **14 Years**

(21) Appl. No.: **29/524,133**

(22) Filed: **Apr. 16, 2015**

(51) **LOC (10) Cl.** ..... **24-02**

(52) **U.S. Cl.**  
USPC ..... **D24/150**

(58) **Field of Classification Search**  
USPC ..... D24/147, 146, 144, 150, 172; 606/167, 606/161, 166, 107, 4-6; 30/346; D8/20  
CPC ..... A61F 9/007; A61F 9/00709; A61F 2009/00885; A61F 2009/00887; A61F 2009/00889; A61F 9/00825; A61F 2009/00872; A61B 17/3211; A61B 17/32  
See application file for complete search history.

(56) **References Cited**

**U.S. PATENT DOCUMENTS**

4,706,666	A *	11/1987	Sheets	.....	A61F 2/1662
					606/107
4,739,761	A *	4/1988	Grandon	.....	A61F 9/0136
					606/166
5,451,230	A *	9/1995	Steinert	.....	A61F 9/00736
					606/1

D393,067	S *	3/1998	Geary	.....	D24/144
D393,715	S *	4/1998	Strickland	.....	D24/133
D453,222	S *	1/2002	Garito	.....	D24/144
D463,555	S *	9/2002	Etter	.....	D24/143
6,800,076	B2 *	10/2004	Humayun	.....	A61M 1/008
					128/898
6,926,728	B2 *	8/2005	Zucherman	.....	A61M 29/00
					606/190
D565,733	S *	4/2008	Andre	.....	D24/133
D625,412	S *	10/2010	Garito	.....	D24/144
D637,720	S *	5/2011	Folwaczny	.....	D24/150
D642,266	S *	7/2011	Marsteller	.....	D24/144

(Continued)

*Primary Examiner* — Lakiya Rogers

*Assistant Examiner* — Carissa C Fitts

(74) *Attorney, Agent, or Firm* — Kevin P. Rollins

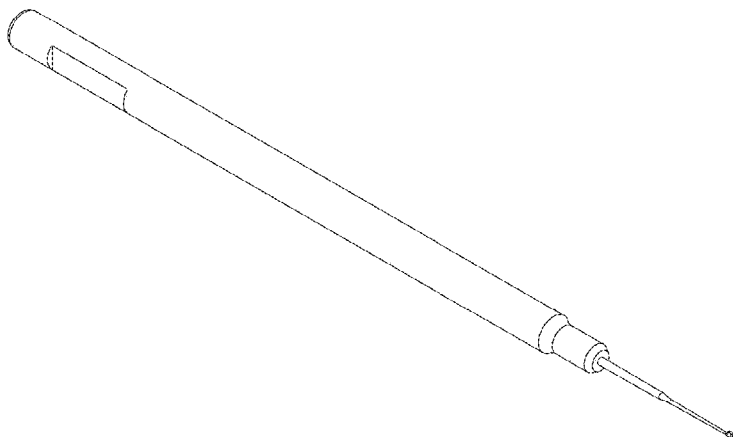
(57) **CLAIM**

We claim the ornamental design for an ophthalmic surgical manipulator, as substantially shown and described.

**DESCRIPTION**

FIG. 1 is a perspective view of an ophthalmic surgical manipulator showing our new design;  
FIG. 2 is a top view of an ophthalmic surgical manipulator;  
FIG. 3 is a top partial view of a tip portion of an ophthalmic surgical manipulator;  
FIG. 4 is a bottom view of an ophthalmic surgical manipulator;  
FIG. 5 is a bottom partial view of a tip portion of an ophthalmic surgical manipulator;  
FIG. 6 is a side view of an ophthalmic surgical manipulator;  
FIG. 7 is side partial view of a tip portion of an ophthalmic surgical manipulator;  
FIG. 8 is an enlarged front view of an ophthalmic surgical manipulator; and,  
FIG. 9 is an enlarged back view of an ophthalmic surgical manipulator.

**1 Claim, 6 Drawing Sheets**



(56)

**References Cited**

U.S. PATENT DOCUMENTS

8,052,705	B2 *	11/2011	Bar-On .....	A61F 9/00736	D24/150
D694,891	S *	12/2013	Dietrich .....	A61F 9/00736	606/161
D752,748	S *	3/2016	Van Dalen .....	D24/172	
2002/0115902	A1 *	8/2002	Dejuan, Jr. ....	A61N 5/1017	600/3
2009/0112258	A1 *	4/2009	Kreidler .....	A61B 17/06066	606/222

\* cited by examiner

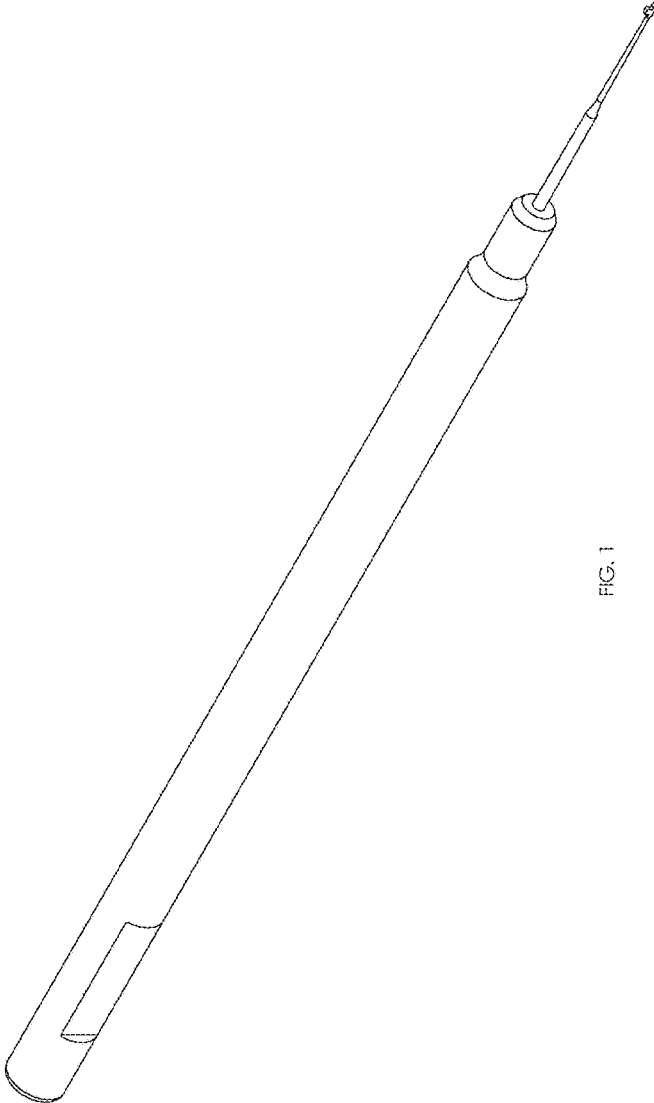


FIG. 1

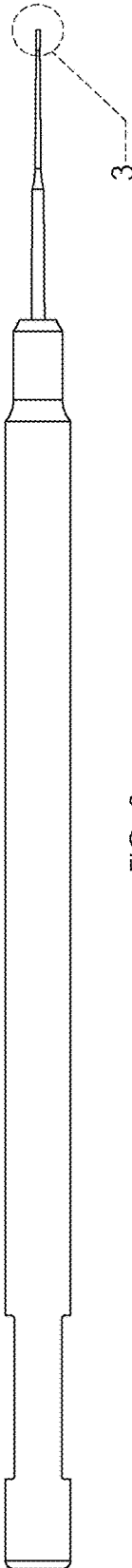


FIG. 2

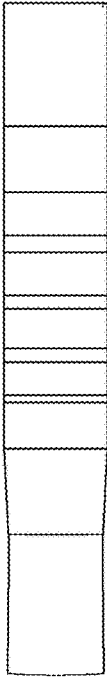


FIG. 3

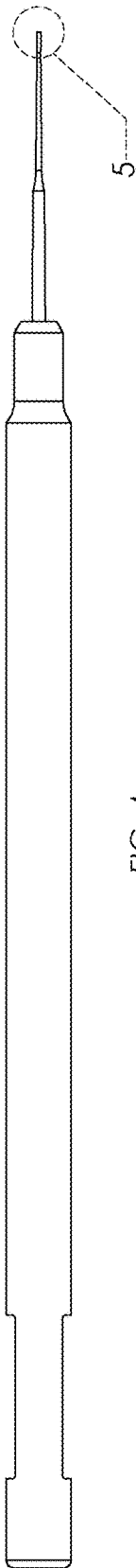


FIG. 4



FIG. 5

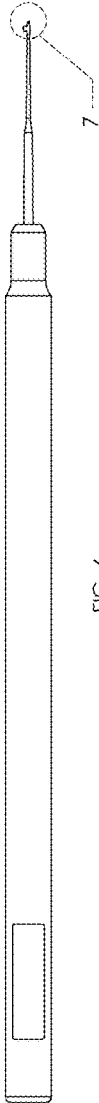


FIG. 6

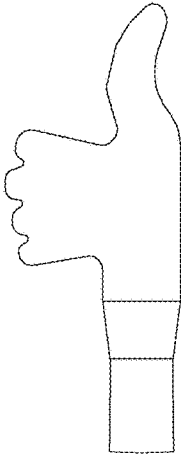


FIG. 7

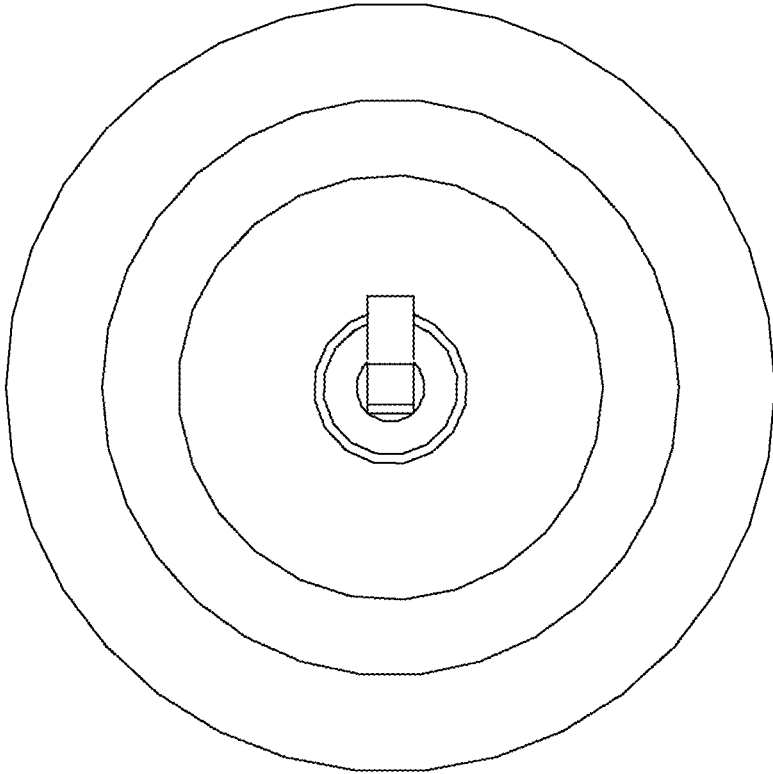


FIG. 8

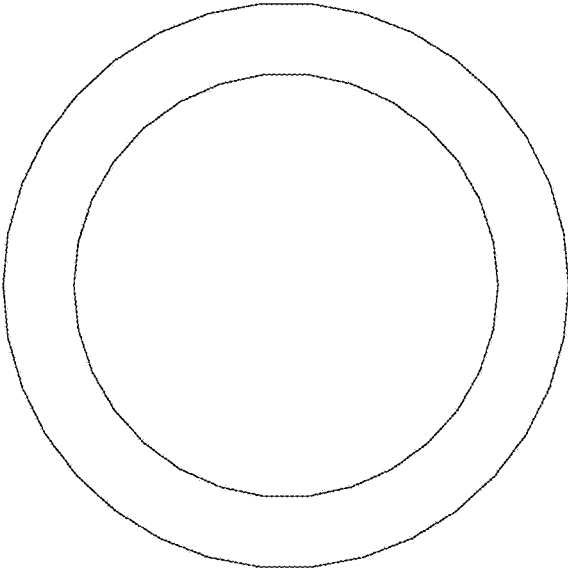


FIG. 9