

(19) World Intellectual Property
Organization
International Bureau



(43) International Publication Date
3 November 2005 (03.11.2005)

PCT

(10) International Publication Number
WO 2005/102112 A3

(51) International Patent Classification⁷: **B60N 2/16**

Road 267, Brownsburg, IN 46112 (US). **HUCK, Jeffrey, D.** [US/US]; 227 E1100N, Fortville, IN 46040 (US).

(21) International Application Number:
PCT/US2005/013042

(74) Agent: **SWEENEY, James, R., II**; Barnes & Thornburg LLP, 11 South Meridian Street, Indianapolis, IN 46204 (US).

(22) International Filing Date: 15 April 2005 (15.04.2005)

(25) Filing Language: English

(81) Designated States (unless otherwise indicated, for every kind of national protection available): AE, AG, AL, AM, AT, AU, AZ, BA, BB, BG, BR, BW, BY, BZ, CA, CH, CN, CO, CR, CU, CZ, DE, DK, DM, DZ, EC, EE, EG, ES, FI, GB, GD, GE, GH, GM, HR, HU, ID, IL, IN, IS, JP, KE, KG, KM, KP, KR, KZ, LC, LK, LR, LS, LT, LU, LV, MA, MD, MG, MK, MN, MW, MX, MZ, NA, NI, NO, NZ, OM, PG, PH, PL, PT, RO, RU, SC, SD, SE, SG, SK, SL, SM, SY, TJ, TM, TN, TR, TT, TZ, UA, UG, US, UZ, VC, VN, YU, ZA, ZM, ZW.

(26) Publication Language: English

(30) Priority Data:
60/562,938 15 April 2004 (15.04.2004) US

(71) Applicant (for all designated States except US): **INDIANA MILLS & MANUFACTURING, INC.** [US/US]; 18881 U.S. 31 North, P. O. Box 408, Westfield, IN 46074-0408 (US).

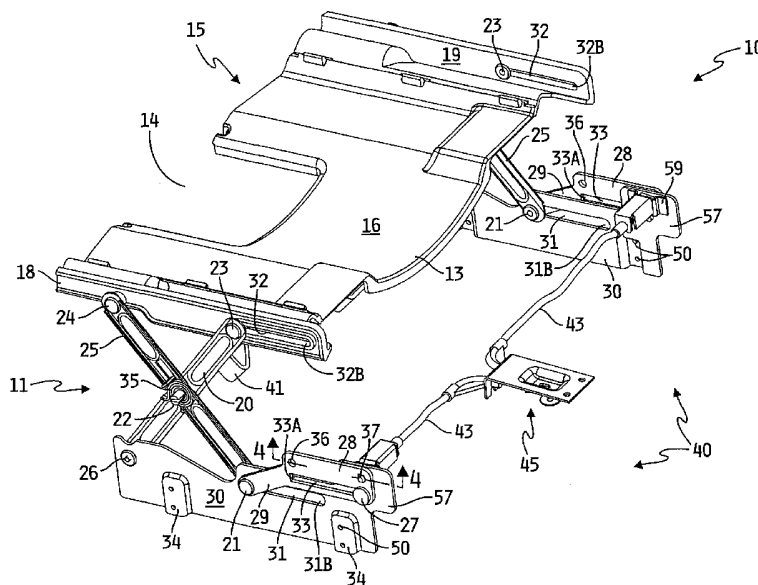
(84) Designated States (unless otherwise indicated, for every kind of regional protection available): ARIPO (BW, GH, GM, KE, LS, MW, MZ, NA, SD, SL, SZ, TZ, UG, ZM, ZW), Eurasian (AM, AZ, BY, KG, KZ, MD, RU, TJ, TM), European (AT, BE, BG, CH, CY, CZ, DE, DK, EE, ES, FI, FR, GB, GR, HU, IE, IS, IT, LT, LU, MC, NL, PL, PT, RO,

(72) Inventors; and

(75) Inventors/Applicants (for US only): **WOELLERT, Thomas, P.** [US/US]; 5869 Echoway, Indianapolis, IN 46278 (US). **GRAY, Larry, E.** [US/US]; 7523 North State

[Continued on next page]

(54) Title: ADJUSTABLE HEIGHT VEHICLE SEAT BOTTOM



(57) Abstract: A vehicle seat (10) that has a seat support assembly (15) that is adjustable in height relative to a base assembly (30) which is coupled to the seat support assembly (15) by one or more linkage assemblies (11). The linkage assemblies (11) comprise a pair of link members (20, 25) movably connected in crossing relationship and are urged toward an extended position by a bias member (35) acting between the link members (20, 25).

WO 2005/102112 A3



SE, SI, SK, TR), OAPI (BF, BJ, CF, CG, CI, CM, GA, GN, GQ, GW, ML, MR, NE, SN, TD, TG).

For two-letter codes and other abbreviations, refer to the "Guidance Notes on Codes and Abbreviations" appearing at the beginning of each regular issue of the PCT Gazette.

Published:

- *with international search report*
- *before the expiration of the time limit for amending the claims and to be republished in the event of receipt of amendments*

(88) Date of publication of the international search report:

22 December 2005

INTERNATIONAL SEARCH REPORT

International application No.
PCT/US05/13042

A. CLASSIFICATION OF SUBJECT MATTER
 IPC(7) : B60N 2/16
 US CL : 297/344.15, 339
 According to International Patent Classification (IPC) or to both national classification and IPC

B. FIELDS SEARCHED
 Minimum documentation searched (classification system followed by classification symbols)
 U.S. : 297/344.15, 338, 339; 248/188.2, 588, 421, 595, 590

Documentation searched other than minimum documentation to the extent that such documents are included in the fields searched

Electronic data base consulted during the international search (name of data base and, where practicable, search terms used)
 EAST

C. DOCUMENTS CONSIDERED TO BE RELEVANT

Category *	Citation of document, with indication, where appropriate, of the relevant passages	Relevant to claim No.
X	US 5,927,679 A (HILL) 27 July 1999 (27/07/1999), see entire document.	1-3
---		-----
Y		23
A	US 2,757,712 A (JOHNSON) 07 August 1956 (07/08/1956), see Figure 1.	4
A	US 5,632,209 A (SAKAKIBARA) 27 May 1997 (27/05/1997), see entire document.	1-3, 23
A	UK 2,129,678 A (BURNETT) 23 May 1984 (23/05/1984), see entire document.	1-3, 23

Further documents are listed in the continuation of Box C. See patent family annex.

* Special categories of cited documents:	"T" later document published after the international filing date or priority date and not in conflict with the application but cited to understand the principle or theory underlying the invention
"A" document defining the general state of the art which is not considered to be of particular relevance	"X" document of particular relevance; the claimed invention cannot be considered novel or cannot be considered to involve an inventive step when the document is taken alone
"E" earlier application or patent published on or after the international filing date	"Y" document of particular relevance; the claimed invention cannot be considered to involve an inventive step when the document is combined with one or more other such documents, such combination being obvious to a person skilled in the art
"L" document which may throw doubts on priority claim(s) or which is cited to establish the publication date of another citation or other special reason (as specified)	"&" document member of the same patent family
"O" document referring to an oral disclosure, use, exhibition or other means	
"P" document published prior to the international filing date but later than the priority date claimed	

Date of the actual completion of the international search: 13 September 2005 (13.09.2005)
 Date of mailing of the international search report: 18 OCT 2005

Name and mailing address of the ISA/US: Mail Stop PCT, Attn: ISA/US, Commissioner for Patents, P.O. Box 1450, Alexandria, Virginia 22313-1450, Facsimile No. (571) 273-3201
 Authorized officer: Milton Nelson, Jr. Telephone No. 571-272-3600

INTERNATIONAL SEARCH REPORT

International application No.

PCT/US05/13042

Box No. II Observations where certain claims were found unsearchable (Continuation of item 2 of first sheet)

This international search report has not been established in respect of certain claims under Article 17(2)(a) for the following reasons:

1. Claims Nos.:
because they relate to subject matter not required to be searched by this Authority, namely:

2. Claims Nos.:
because they relate to parts of the international application that do not comply with the prescribed requirements to such an extent that no meaningful international search can be carried out, specifically:

3. Claims Nos.: 5-22
because they are dependent claims and are not drafted in accordance with the second and third sentences of Rule 6.4(a).

Box No. III Observations where unity of invention is lacking (Continuation of item 3 of first sheet)

This International Searching Authority found multiple inventions in this international application, as follows:

1. As all required additional search fees were timely paid by the applicant, this international search report covers all searchable claims.
 2. As all searchable claims could be searched without effort justifying additional fees, this Authority did not invite payment of any additional fees.
 3. As only some of the required additional search fees were timely paid by the applicant, this international search report covers only those claims for which fees were paid, specifically claims Nos.:

 4. No required additional search fees were timely paid by the applicant. Consequently, this international search report is restricted to the invention first mentioned in the claims; it is covered by claims Nos.:
- Remark on Protest**
- The additional search fees were accompanied by the applicant's protest and, where applicable, the payment of a protest fee.
 - The additional search fees were accompanied by the applicant's protest but the applicable protest fee was not paid within the time limit specified in the invitation.
 - No protest accompanied the payment of additional search fees.