



US00D715994S

(12) **United States Design Patent**  
**Klus**

(10) **Patent No.:** **US D715,994 S**

(45) **Date of Patent:** **\*\* Oct. 21, 2014**

(54) **HOUSING FOR LED-BASED LIGHTING APPARATUS**

(71) Applicant: **Sylwester Klus**, Kamionka (PL)

(72) Inventor: **Sylwester Klus**, Kamionka (PL)

(\*\*) Term: **14 Years**

(21) Appl. No.: **29/462,111**

(22) Filed: **Jul. 31, 2013**

(51) **LOC (10) Cl.** ..... **26-99**

(52) **U.S. Cl.**  
USPC ..... **D26/141**

(58) **Field of Classification Search**  
USPC ..... D26/24, 26, 39, 42, 67, 68, 72, 74, 75,  
D26/79, 85, 88, 89, 91, 96, 108, 109, 113,  
D26/118, 120, 122, 129, 138, 140, 141,  
D26/142; D13/179, 180; D25/60, 119, 122,  
D25/124, 125; 362/23.07, 23.09, 23.16,  
362/145, 217.01, 217.02, 255, 257, 270,  
362/277, 317, 362, 555, 611, 612, 614, 800  
See application file for complete search history.

(56) **References Cited**

**U.S. PATENT DOCUMENTS**

1,941,079	A *	12/1933	Exelmans	.....	D26/118
D193,022	S *	6/1962	Zurawski	.....	D26/76
3,302,350	A *	2/1967	Brown et al.	.....	174/101
5,031,083	A *	7/1991	Claesson	.....	362/800
D348,118	S *	6/1994	Hamrin	.....	D26/118
D368,781	S *	4/1996	Custance et al.	.....	D25/122
6,561,690	B2 *	5/2003	Balestriero et al.	.....	362/555

6,659,623	B2 *	12/2003	Friend	.....	362/800
7,090,375	B2 *	8/2006	Kuisma	.....	362/555
D610,736	S *	2/2010	Klaus	.....	D26/76
7,654,703	B2 *	2/2010	Kan et al.	.....	362/362
D627,914	S *	11/2010	Couture	.....	D26/76
D649,686	S *	11/2011	Trzesniowski	.....	D26/138
8,075,164	B2 *	12/2011	Xiao et al.	.....	362/373
D652,986	S *	1/2012	Trzesniowski	.....	D26/138
D662,653	S *	6/2012	Hochman	.....	D26/138
D665,123	S *	8/2012	Douglas	.....	D26/138
D693,051	S *	11/2013	Klu	.....	D26/138
D695,953	S *	12/2013	Klu	.....	D26/138

\* cited by examiner

*Primary Examiner* — Deanna L Pratt

*Assistant Examiner* — Natasha Vujcic

(74) *Attorney, Agent, or Firm* — Mark Terry

(57) **CLAIM**

The ornamental design for a housing for an LED-based lighting apparatus, as shown and described.

**DESCRIPTION**

FIG. 1 is a front view of a housing for an LED-based lighting apparatus, showing the new design;

FIG. 2 is a side view thereof.

FIG. 3 is a top perspective view thereof;

FIG. 4 is a bottom perspective view thereof;

FIG. 5 is a top view thereof; and,

FIG. 6 is a bottom view thereof.

The broken lines shown in the drawings illustrate portions of the housing for an LED-based lighting apparatus which form no part of the claimed design.

**1 Claim, 6 Drawing Sheets**

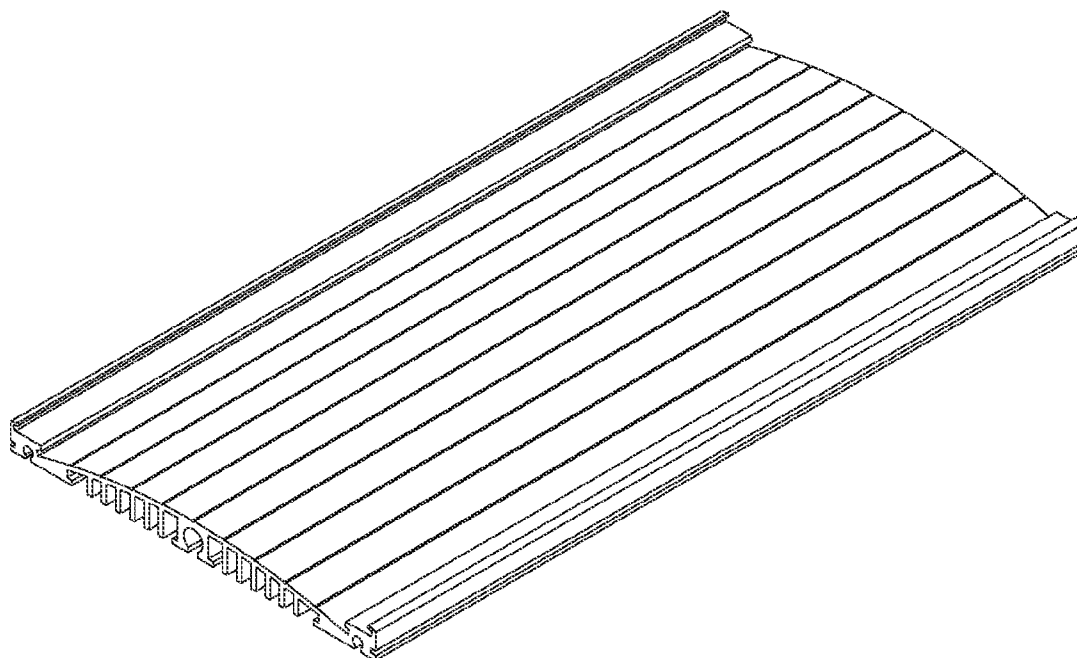




FIG.1

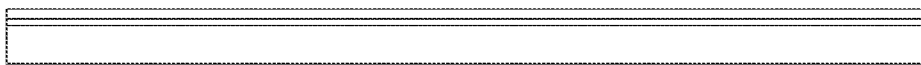


FIG.2

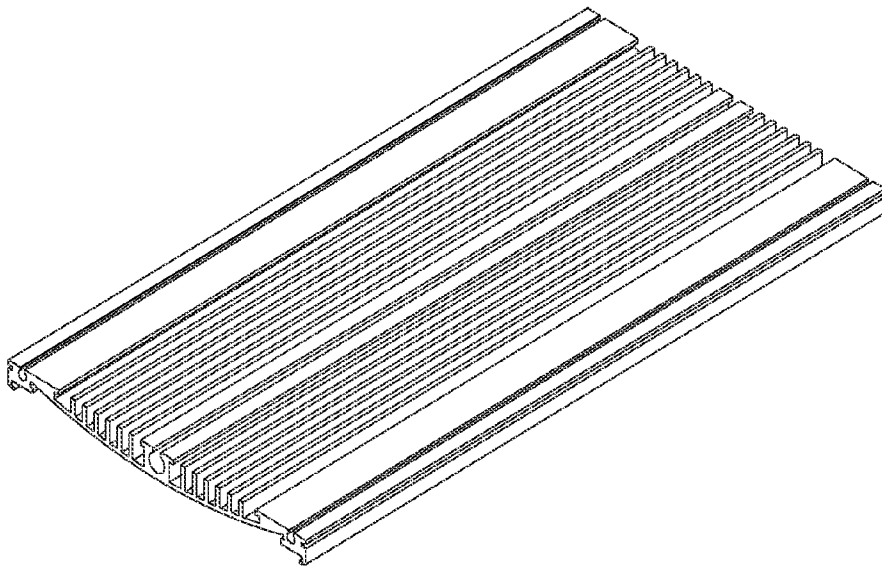


FIG.3

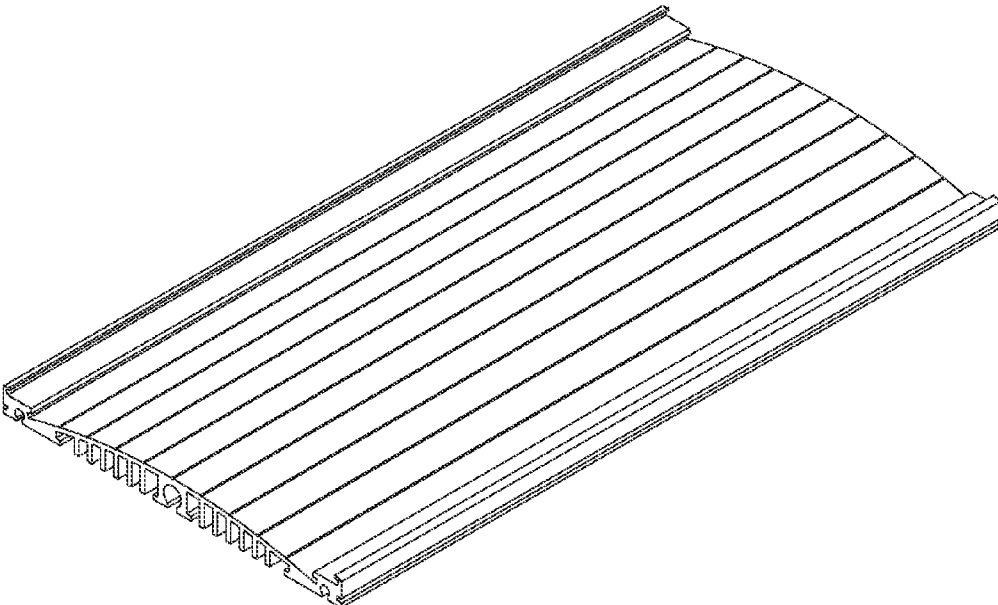


FIG.4



FIG.5

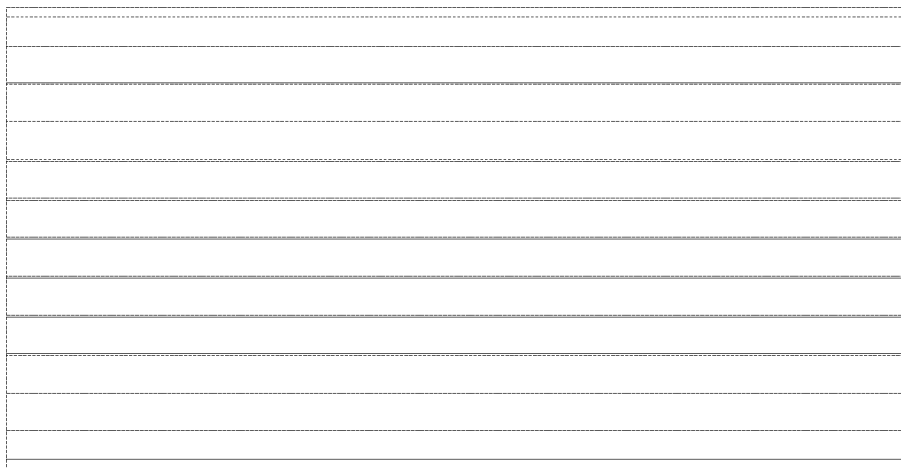


FIG.6