



US00D765897S

(12) **United States Design Patent** (10) **Patent No.:** **US D765,897 S**
Dir (45) **Date of Patent:** **** Sep. 6, 2016**

(54) **WEARABLE SAFETY LIGHT**
(71) Applicant: **Archangel Device LLC**, Milwaukee, WI (US)
(72) Inventor: **Ronald R. Dir**, Sturtevant, WI (US)
(73) Assignee: **Archangel Design LLC**, Milwaukee, WI (US)
(**) Term: **14 Years**
(21) Appl. No.: **29/492,937**
(22) Filed: **Jun. 4, 2014**
(51) **LOC (10) Cl.** **26-02**
(52) **U.S. Cl.**
USPC **D26/39**
(58) **Field of Classification Search**
USPC D26/37, 38, 39, 46, 51; 362/103-108, 362/157, 158, 184, 186, 194-196, 200-208, 362/253
CPC F21V 33/00; F21V 14/025; F21V 21/406; F21Y 2101/02; F21L 17/00; F21L 13/08; F21L 2001/00; F21L 14/02
See application file for complete search history.

(56) **References Cited**
U.S. PATENT DOCUMENTS
4,047,165 A 9/1977 Andreasson et al.
4,319,309 A 3/1982 Benoit
4,328,533 A 5/1982 Paredes
4,788,631 A * 11/1988 Fuller F21V 9/083 362/103
4,837,559 A 6/1989 Green, Sr.
4,999,753 A 3/1991 MacKenzie
D340,777 S 10/1993 Choi et al.
5,434,759 A 7/1995 Endo et al.
5,627,513 A 5/1997 Weed et al.
5,652,570 A 7/1997 Lepkofker
5,806,965 A 9/1998 Deese
5,905,441 A 5/1999 Klee et al.
5,963,126 A 10/1999 Karlin et al.

6,137,396 A 10/2000 Puppo
6,213,619 B1 * 4/2001 Yu A45F 5/02 116/DIG. 44
D445,930 S * 7/2001 Se Kit D26/39
6,461,015 B1 10/2002 Welch
6,486,797 B1 11/2002 Laidman
D486,932 S 2/2004 Dario et al.
D489,470 S * 5/2004 Yuen D26/39
D511,984 S 11/2005 Kumagai
D520,395 S 5/2006 Lazalier
D578,691 S * 10/2008 Lau D26/39
D605,320 S * 12/2009 Moudry D26/39
D637,330 S * 5/2011 Lee D26/39
D642,310 S * 7/2011 Idelson D26/39
D690,855 S * 10/2013 Araujo D26/39
2003/0132852 A1 7/2003 Povey et al.
2007/0113845 A1 5/2007 O'Brien et al.

(Continued)

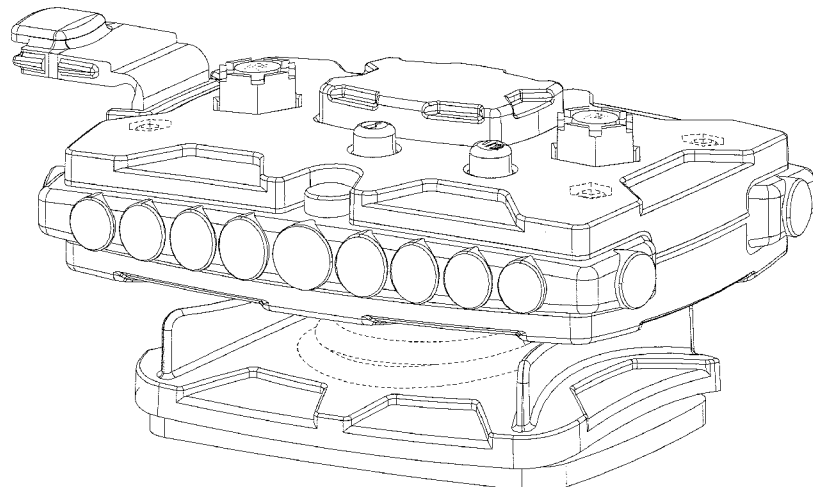
Primary Examiner — Ian Simmons
Assistant Examiner — Carissa C Fitts
(74) *Attorney, Agent, or Firm* — Husch Blackwell LLP

(57) **CLAIM**
The ornamental design for wearable safety light, as shown and described.

DESCRIPTION

FIG. 1 is a left front perspective view of a wearable safety light according to the new design of the invention; FIG. 2 is a right rear perspective view thereof; FIG. 3 is a front exploded view thereof; FIG. 4 is a rear exploded view thereof; FIG. 5 is a left side exploded view thereof; FIG. 6 is a right side exploded view thereof; FIG. 7 is a top view thereof; FIG. 8 is a bottom view thereof; FIG. 9 is a bottom view thereof with mount removed; FIG. 10 is a top view of the mount removed; and, FIG. 11 is a front view thereof.
The broken lines shown in all figures represent unclaimed portions of the wearable safety light and form no part of the claimed design.

1 Claim, 11 Drawing Sheets



(56)

References Cited

U.S. PATENT DOCUMENTS

2007/0176784 A1 8/2007 Fautin et al.
2007/0194048 A1 8/2007 Teig
2007/0200716 A1 8/2007 Haase et al.

2008/0088477 A1 4/2008 Martin et al.
2008/0130272 A1 6/2008 Waters
2008/0247161 A1 10/2008 Hulsey et al.
2008/0259601 A1 10/2008 Frank et al.
2008/0319282 A1 12/2008 Tran

* cited by examiner

Fig. 1

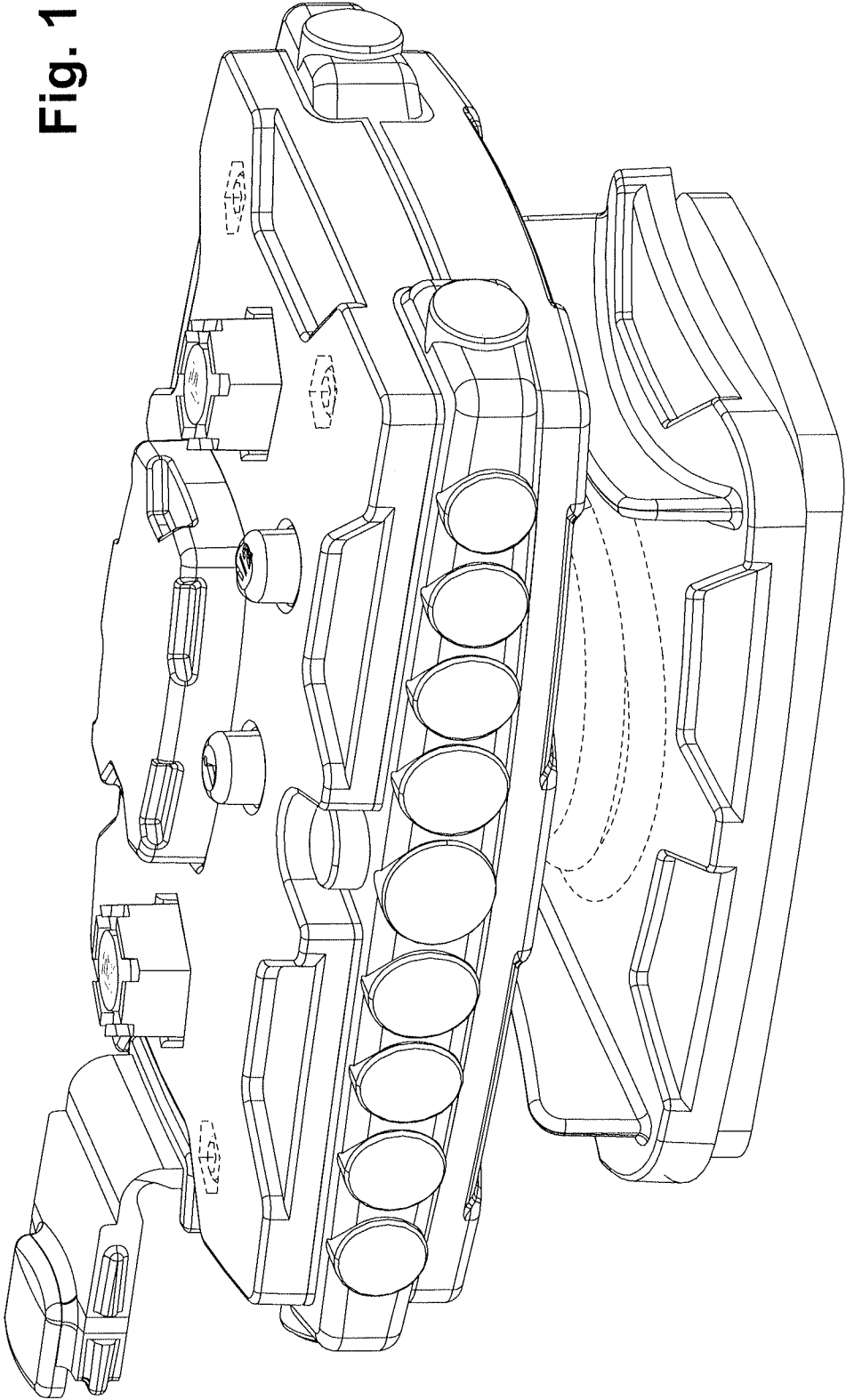


Fig. 2

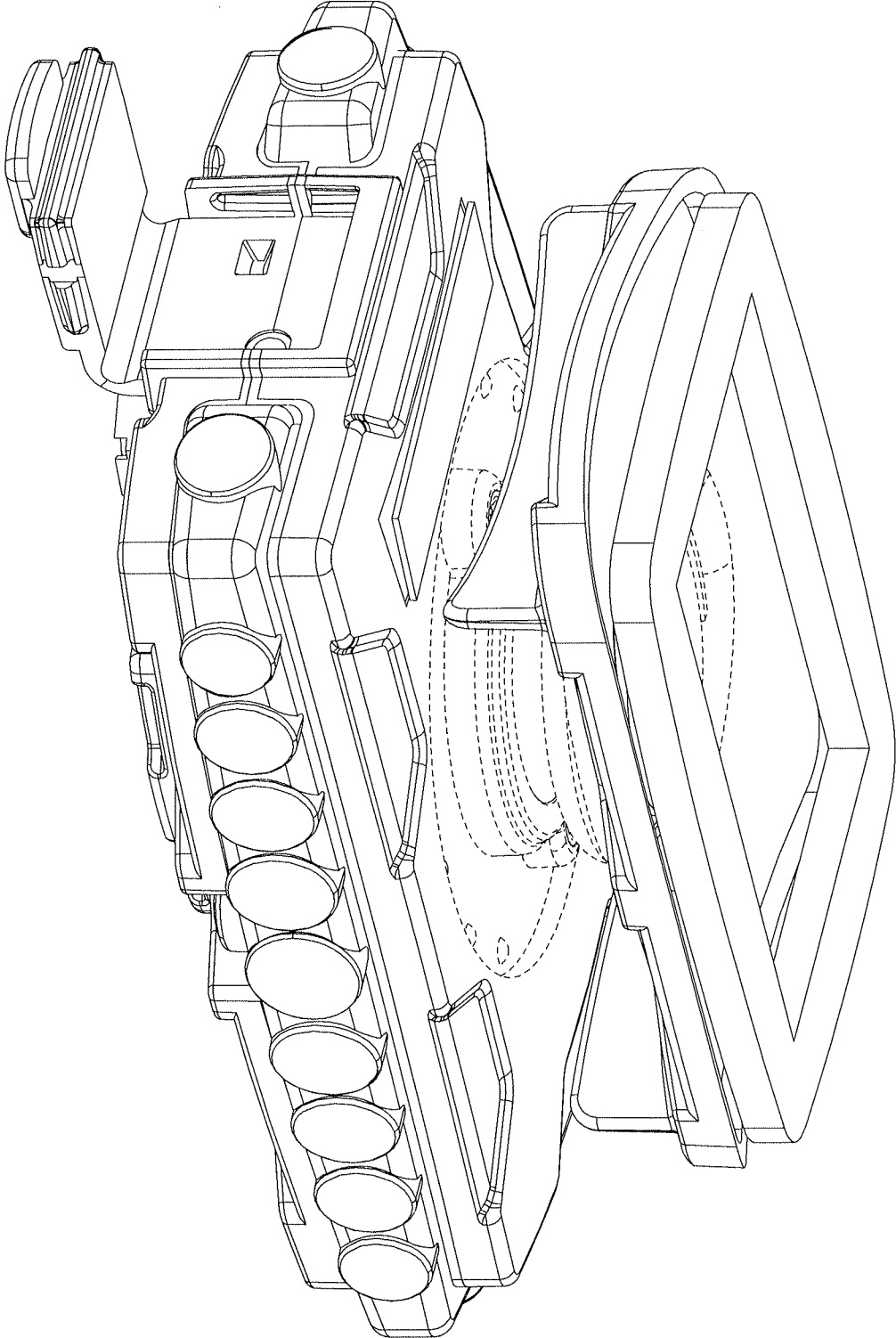


Fig. 3

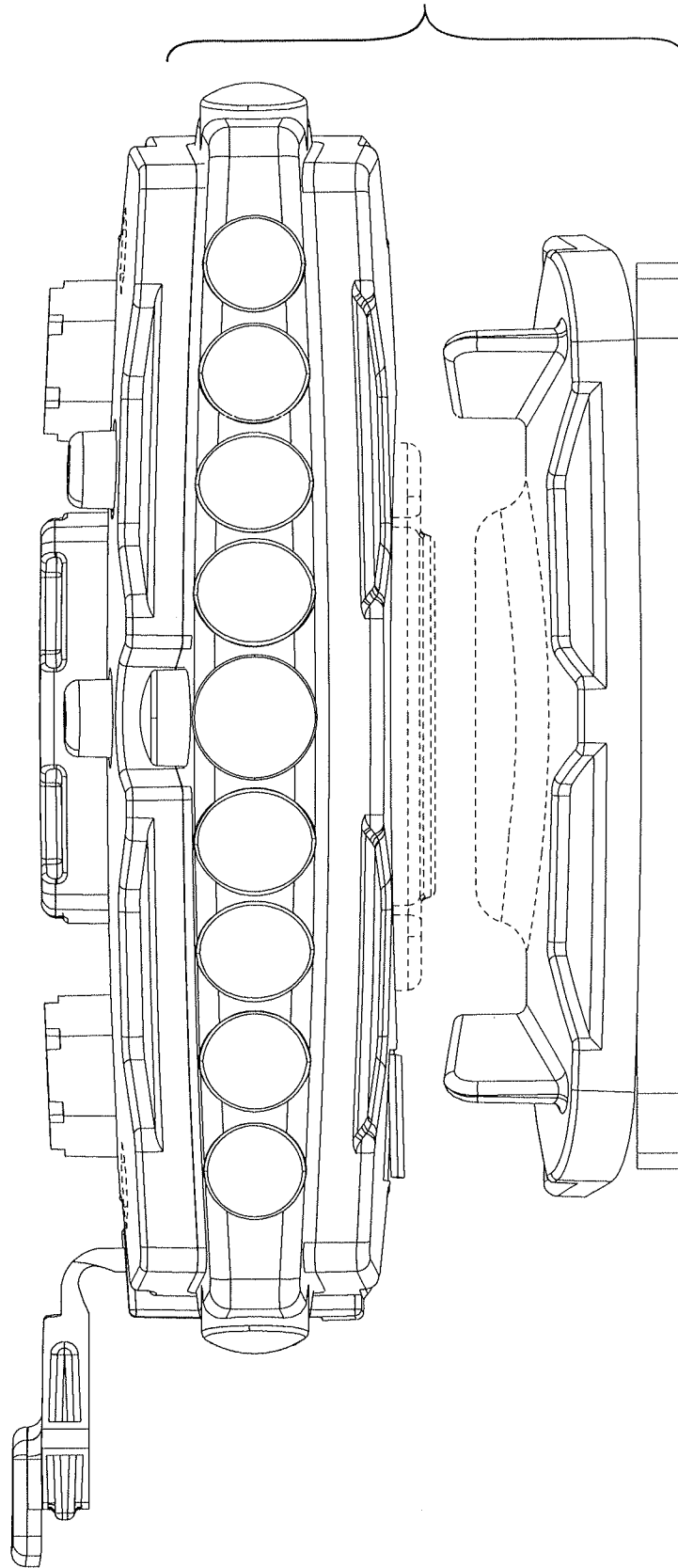


Fig. 4

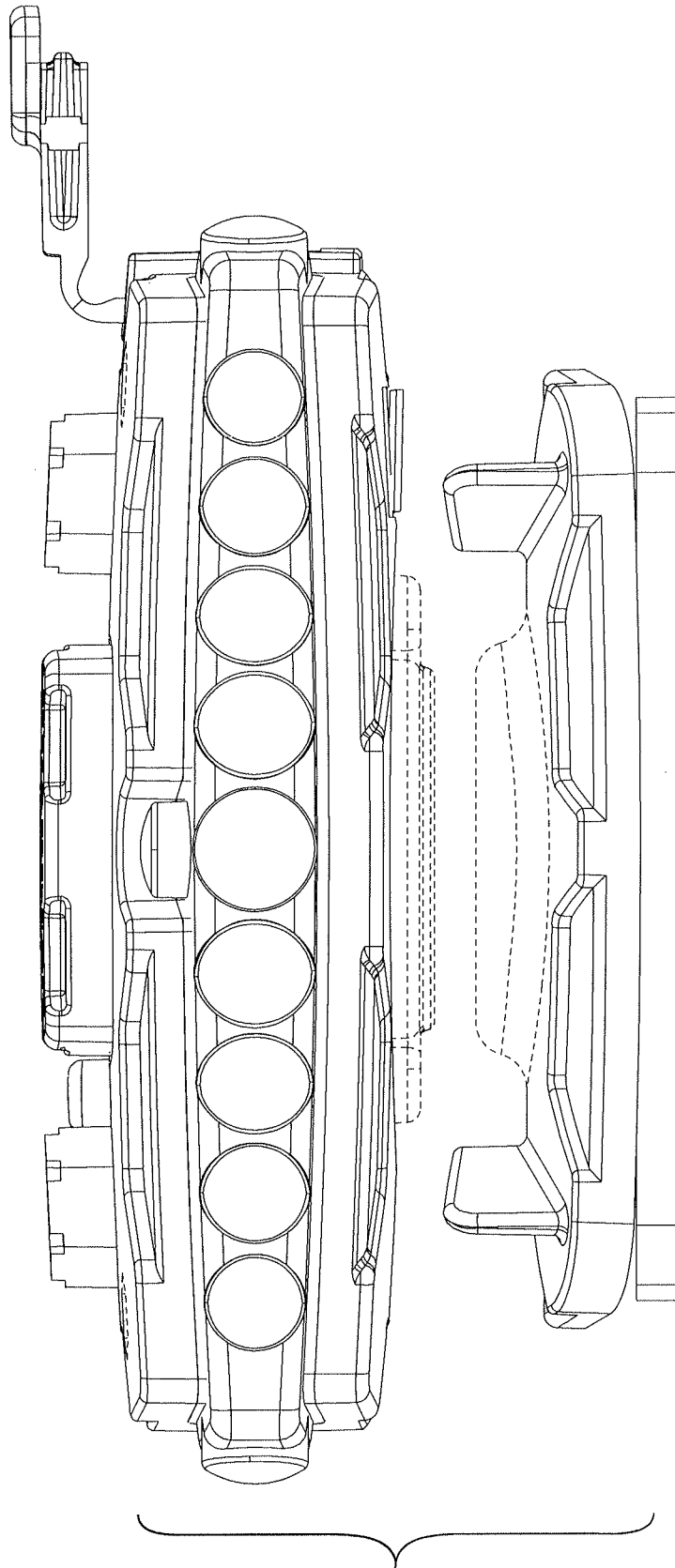


Fig. 5

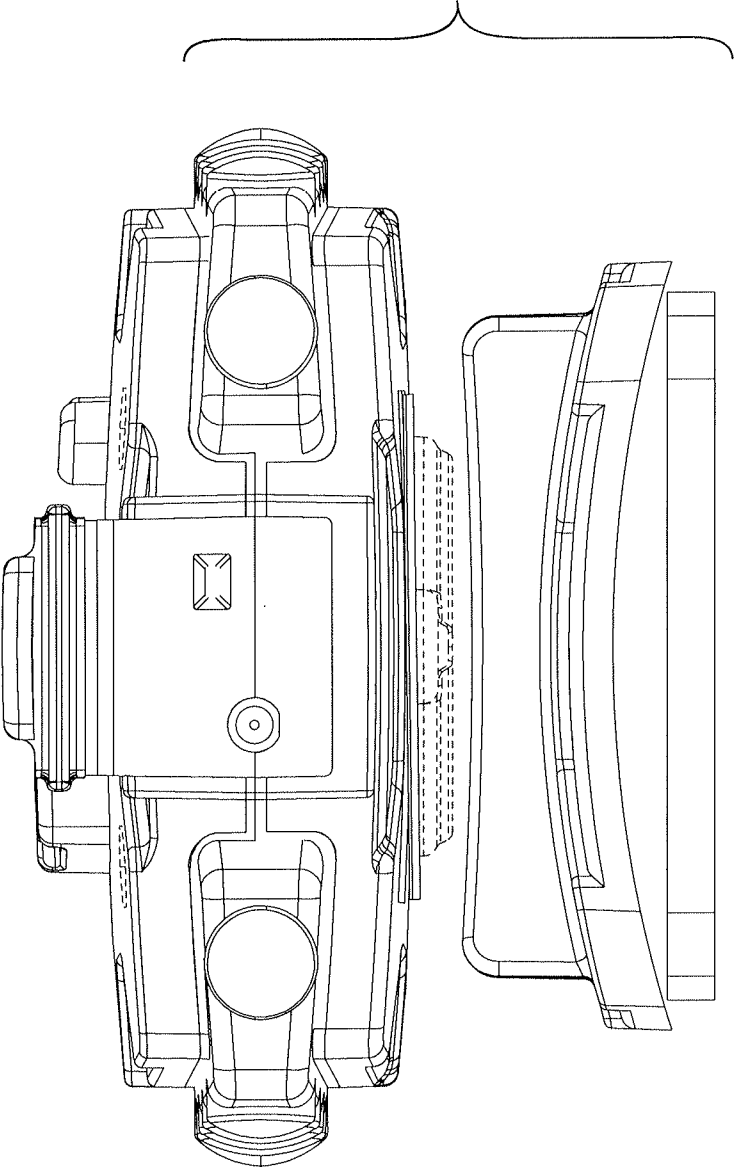


Fig. 6

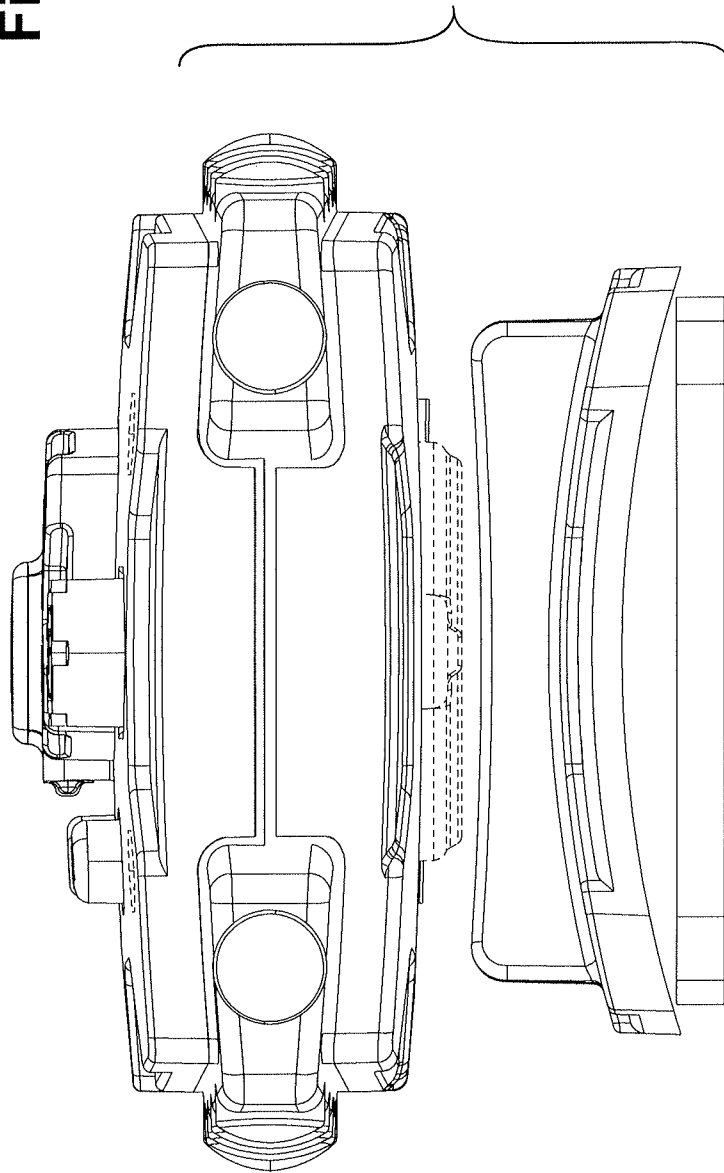


Fig. 7

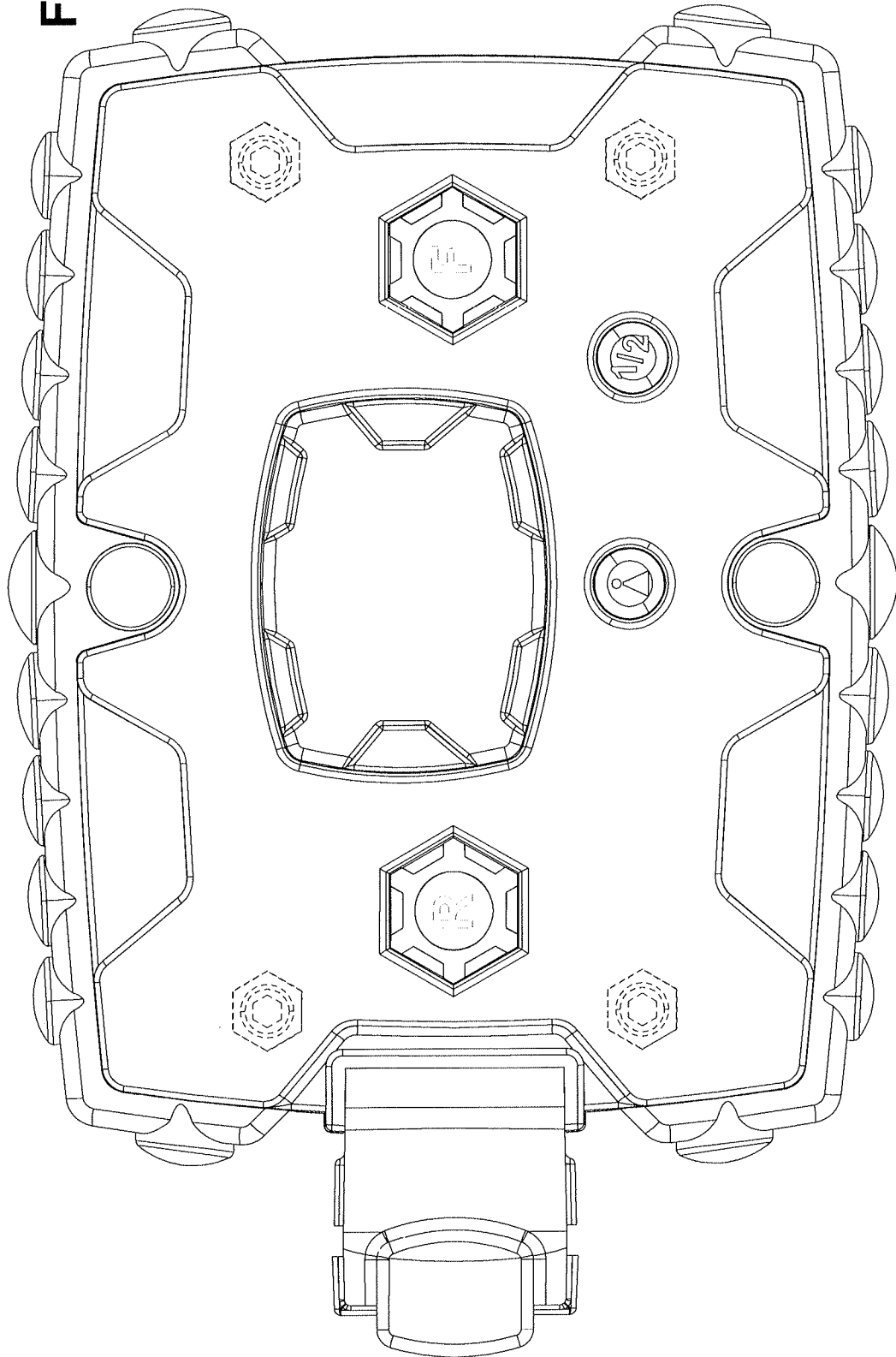


Fig. 8

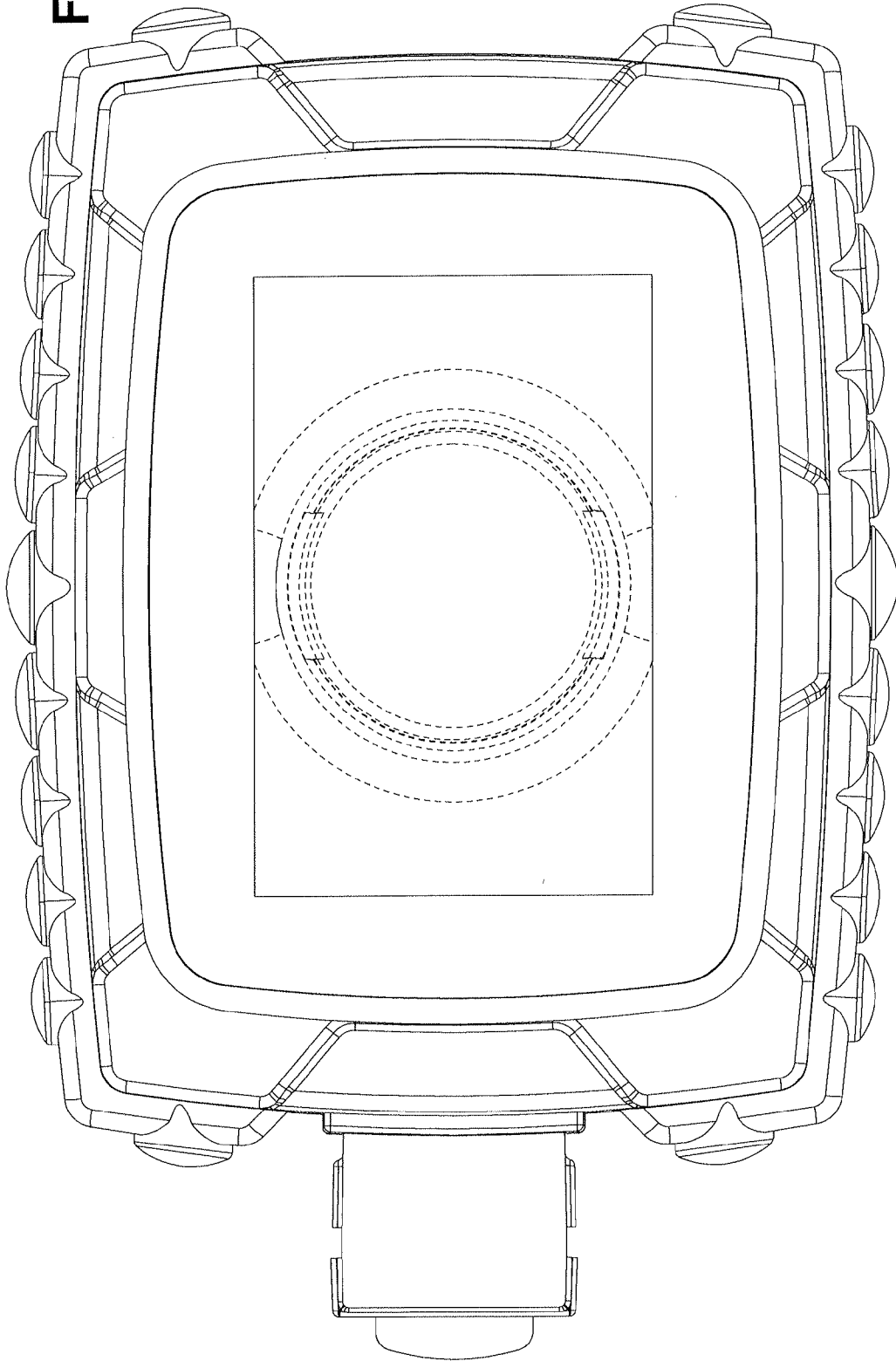


Fig. 9

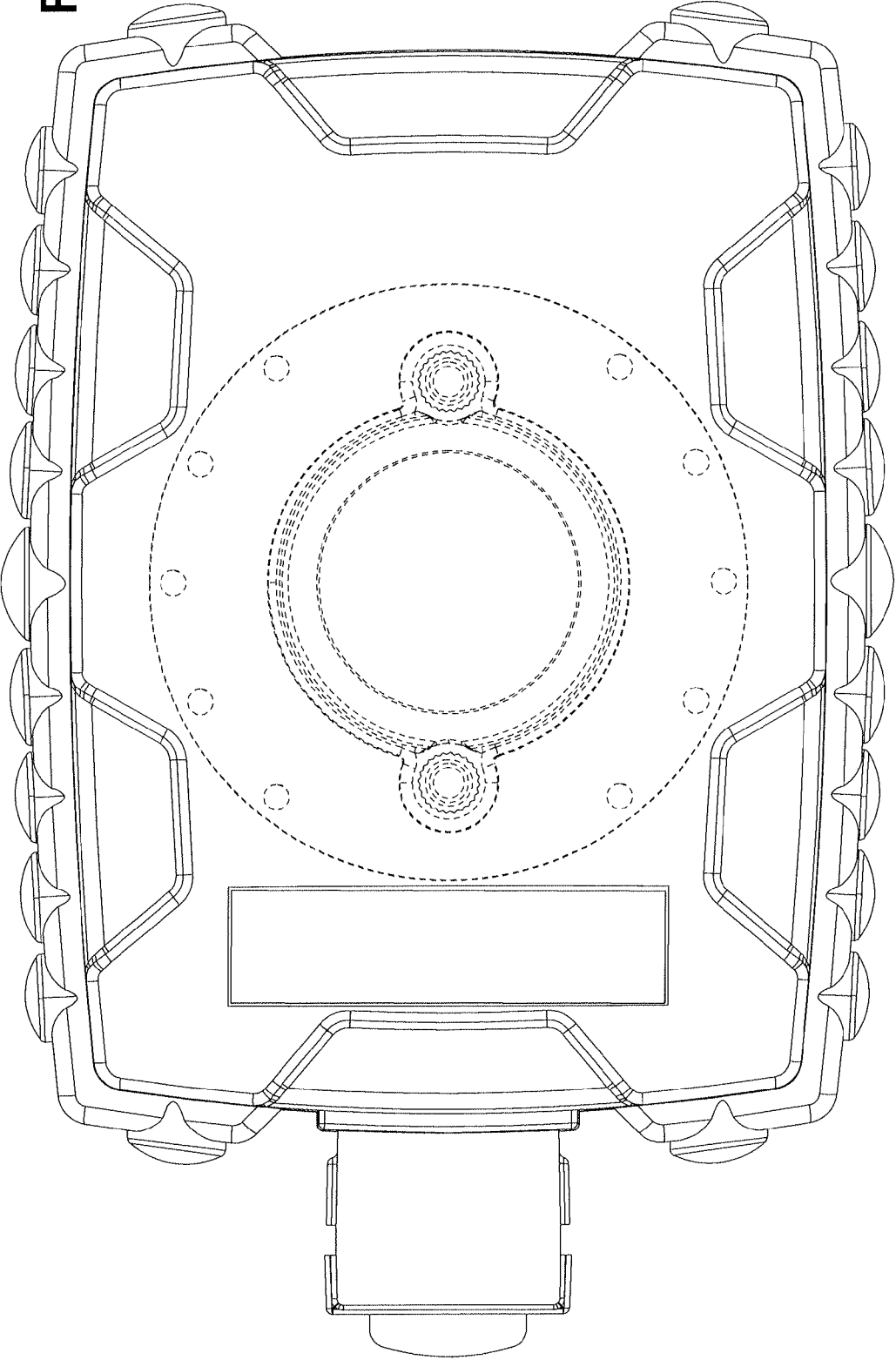


Fig. 10

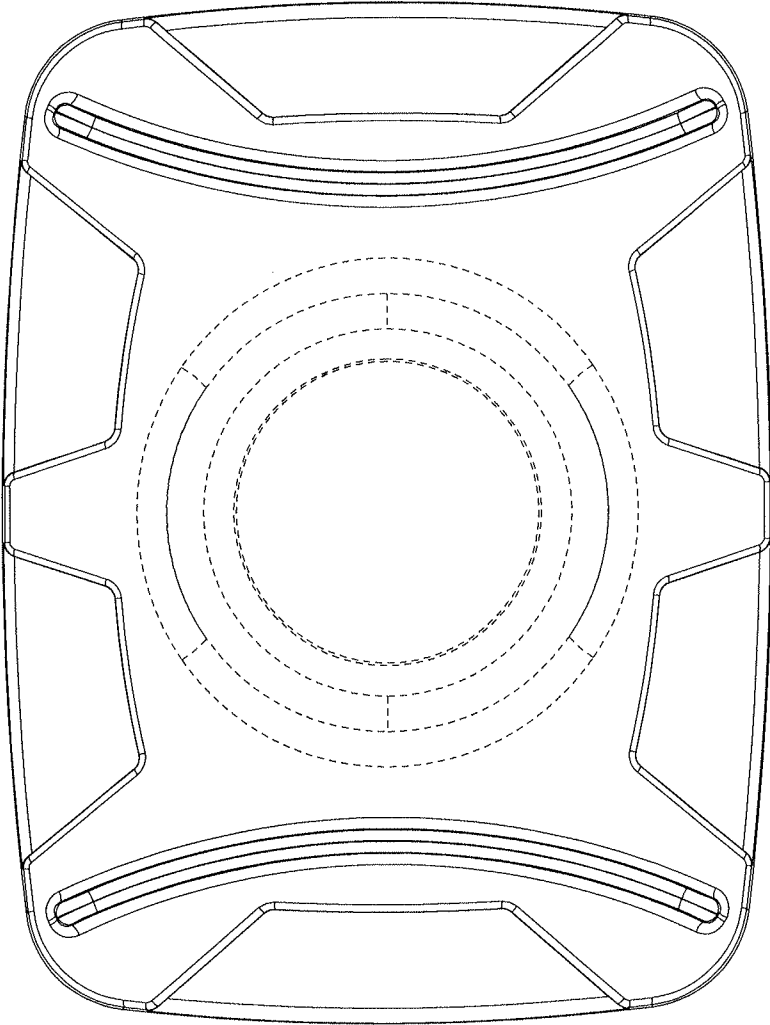


Fig. 11

