



US00D620284S

(12) **United States Design Patent**  
**Zambelli**

(10) **Patent No.:** **US D620,284 S**

(45) **Date of Patent:** **\*\* Jul. 27, 2010**

(54) **AUDIO VIDEO SHELVING UNIT**

(75) Inventor: **Michael P. Zambelli**, Basking Ridge, NJ (US)

(73) Assignee: **Bell'O International Corp.**, Morganville, NJ (US)

(\*\*) Term: **14 Years**

(21) Appl. No.: **29/353,363**

(22) Filed: **Jan. 7, 2010**

(51) **LOC (9) Cl.** ..... **06-04**

(52) **U.S. Cl.** ..... **D6/477**

(58) **Field of Classification Search** ..... D6/470,  
D6/471, 474, 477-479, 460-461, 468; 108/59,  
108/91, 92, 96; 211/40, 41.12, 42, 49.1,  
211/50, 85.2, 90.04, 187, 190; 206/307

See application file for complete search history.

(56) **References Cited**

U.S. PATENT DOCUMENTS

D454,731 S	3/2002	Niitsu et al.	
D458,053 S	6/2002	Luong	
D459,118 S *	6/2002	Antonioni	D6/477
D472,073 S	3/2003	de Carolis	
D472,074 S	3/2003	de Carolis	
D472,075 S	3/2003	de Carolis	
D489,548 S	5/2004	Malizia et al.	
D491,748 S	6/2004	deCarolis	
D491,749 S	6/2004	Malizia et al.	
D491,750 S	6/2004	Bertoncini et al.	
D491,753 S	6/2004	deCarolis	
D492,860 S	7/2004	Bertoncini et al.	
D493,982 S	8/2004	deCarolis	
D496,807 S	10/2004	deCarolis	
D497,060 S	10/2004	Chang et al.	
D497,061 S	10/2004	Decarolis	
D505,573 S	5/2005	Malizia	
D506,329 S	6/2005	Sexton	
D507,433 S	7/2005	Portnoy	
D507,900 S	8/2005	Sexton	
D508,172 S	8/2005	Malizia et al.	

D515,337 S	2/2006	deCarolis
D515,849 S	2/2006	Niu
D516,838 S	3/2006	Portnoy
D516,840 S	3/2006	deCarolis
D516,847 S	3/2006	Stenhouse et al.
D519,757 S	5/2006	Portnoy
D524,080 S	7/2006	Stenhouse et al.

(Continued)

OTHER PUBLICATIONS

Bell'O 2005-2006 Product Catalog.

*Primary Examiner*—Elizabeth A Albert  
*Assistant Examiner*—Kelley A Donnelly

(74) *Attorney, Agent, or Firm*—Lerner, David, Littenberg, Krumholz & Mentlik, LLP

(57) **CLAIM**

The ornamental design for audio video shelving unit, as shown and described.

**DESCRIPTION**

FIG. 1 is a front perspective view of a first embodiment of the audio video shelving unit;

FIG. 2 is a front elevational view thereof;

FIG. 3 is a rear elevational view thereof;

FIG. 4 is a right side view thereof (the left side being a mirror image of the right side view);

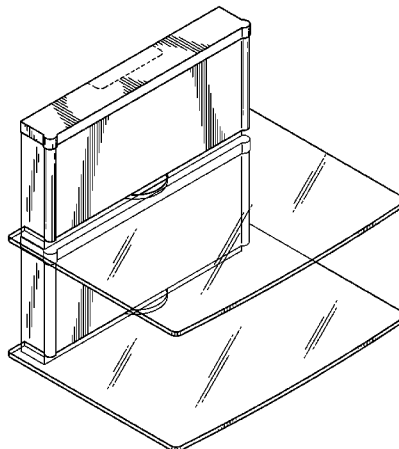
FIG. 5 is a top plan view thereof;

FIG. 6 is a front perspective view of a second embodiment of the audio video shelving unit; and,

FIG. 7 is a top plan view of the embodiment shown in FIG. 6 (all other views of the second embodiment having the same appearance as FIGS. 2, 3 and 4).

The broken lines are for environmental purposes only and form no part of the claimed design.

**1 Claim, 7 Drawing Sheets**



# US D620,284 S

Page 2

---

U.S. PATENT DOCUMENTS											
D524,578	S	*	7/2006	Stenhouse et al. ....	D6/479	D564,260	S	*	3/2008	deCarolis .....	D6/477
D525,052	S		7/2006	Malizia et al.		D564,261	S		3/2008	Sculler	
D525,054	S		7/2006	Stenhouse et al.		D564,789	S		3/2008	deCarolis	
D527,208	S		8/2006	Malizia et al.		D564,796	S		3/2008	Zambelli	
D535,497	S		1/2007	Portnoy		D564,797	S	*	3/2008	Yamaguchi .....	D6/477
D537,656	S		3/2007	Stenhouse et al.		D587,483	S		3/2009	Zambelli	
D540,067	S	*	4/2007	Chung .....	D6/474	D587,496	S		3/2009	Weitz	
D542,059	S		5/2007	Moyle et al.		D587,497	S		3/2009	Zambelli	
D543,729	S		6/2007	Weatherly		D589,280	S		3/2009	Zambelli	
D549,991	S		9/2007	Stravitz		D590,636	S		4/2009	Ou Yang et al.	
D554,393	S		11/2007	Yalif		D590,637	S		4/2009	Portnoy	
D555,397	S		11/2007	Yalif		D592,428	S		5/2009	Zambelli	
D559,583	S		1/2008	Zambelli		D594,248	S		6/2009	Zambelli	
D559,584	S		1/2008	Zambelli		D595,978	S		7/2009	Portnoy et al.	
D560,077	S		1/2008	Zambelli		D599,584	S		9/2009	Zambelli	
D560,401	S	*	1/2008	Hoglan et al. ....	D6/479	D604,251	S		11/2009	Hwang	
D562,593	S		2/2008	Zambelli		D605,874	S		12/2009	Zambelli	
D563,695	S	*	3/2008	Yamaguchi .....	D6/477	D610,836	S	*	3/2010	Kohler .....	D6/477

\* cited by examiner

FIG. 1

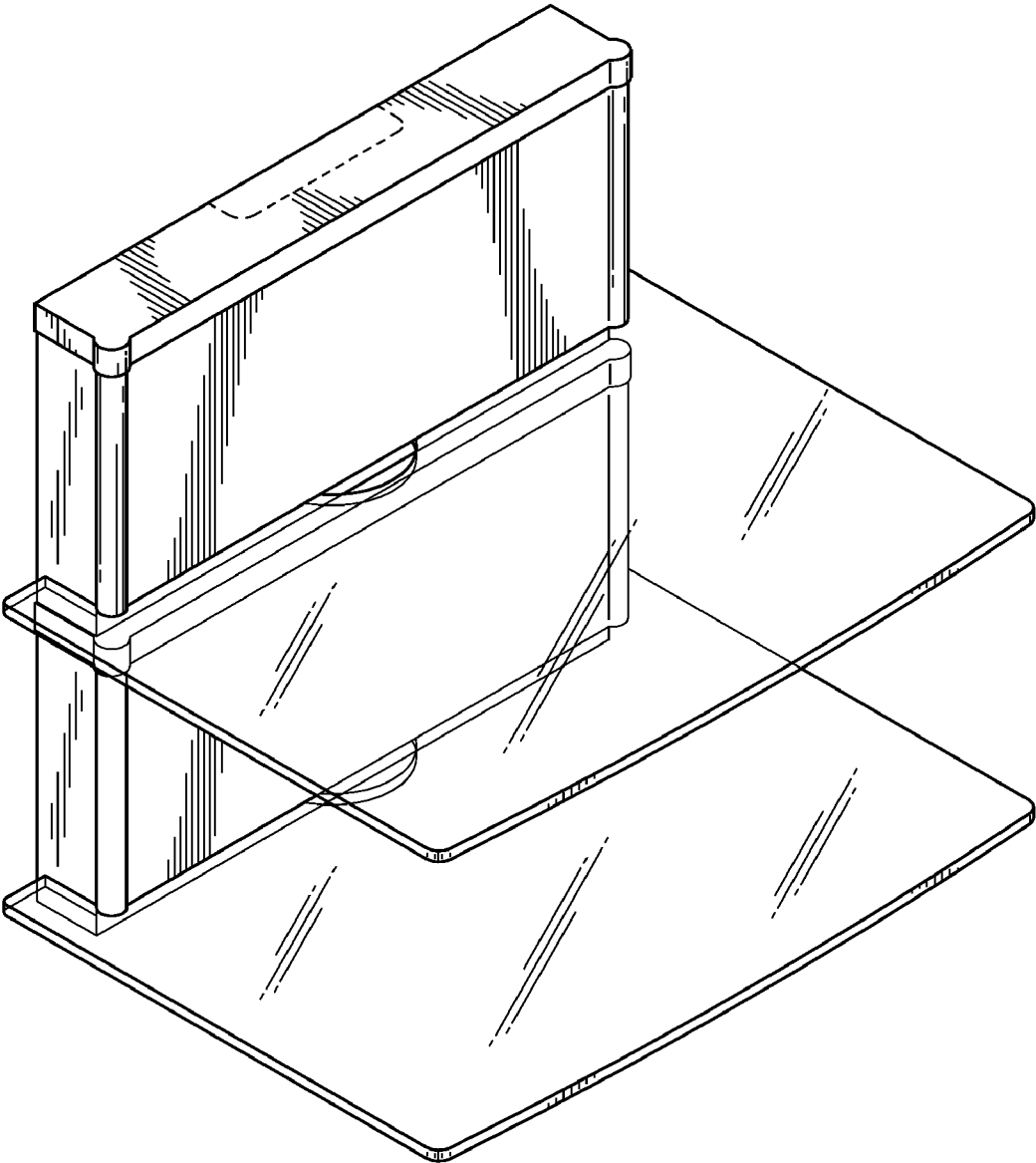


FIG. 2

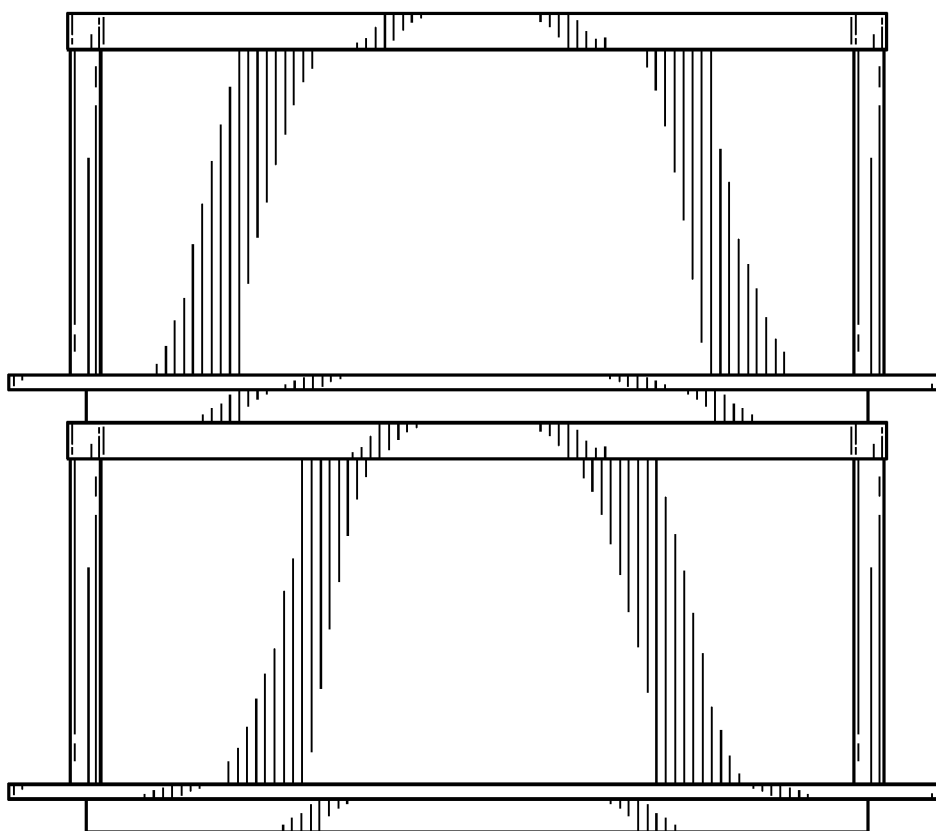
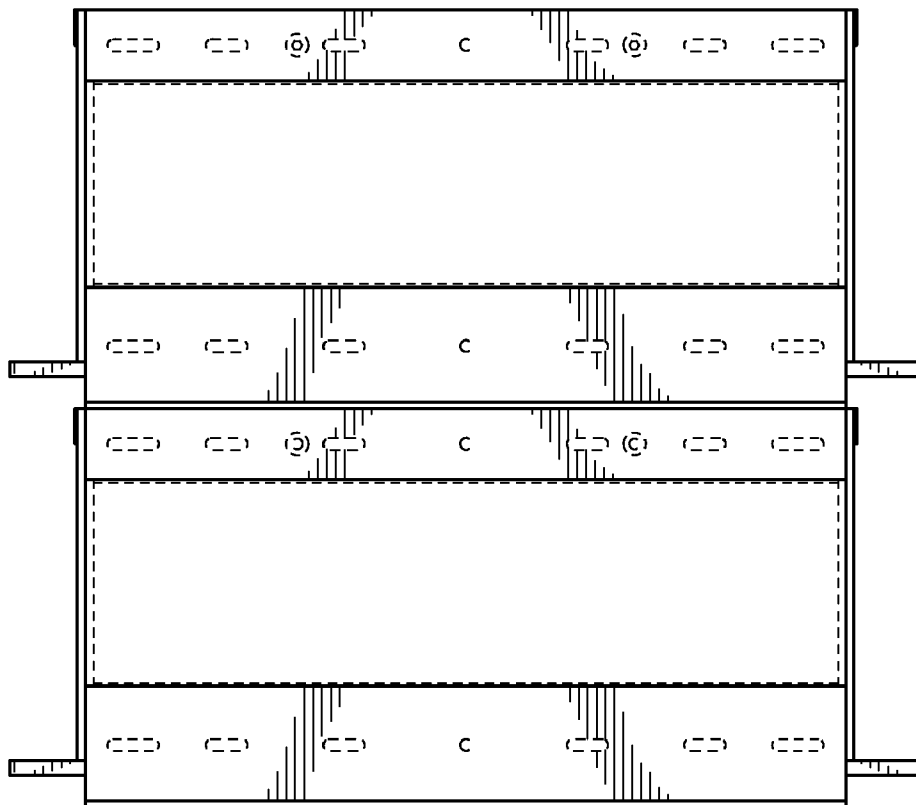
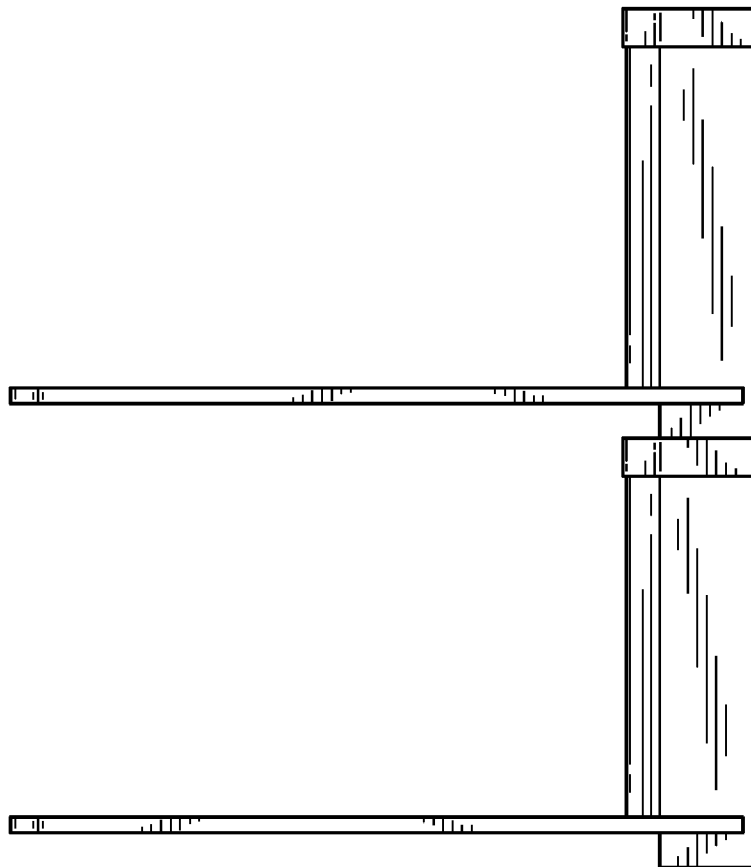


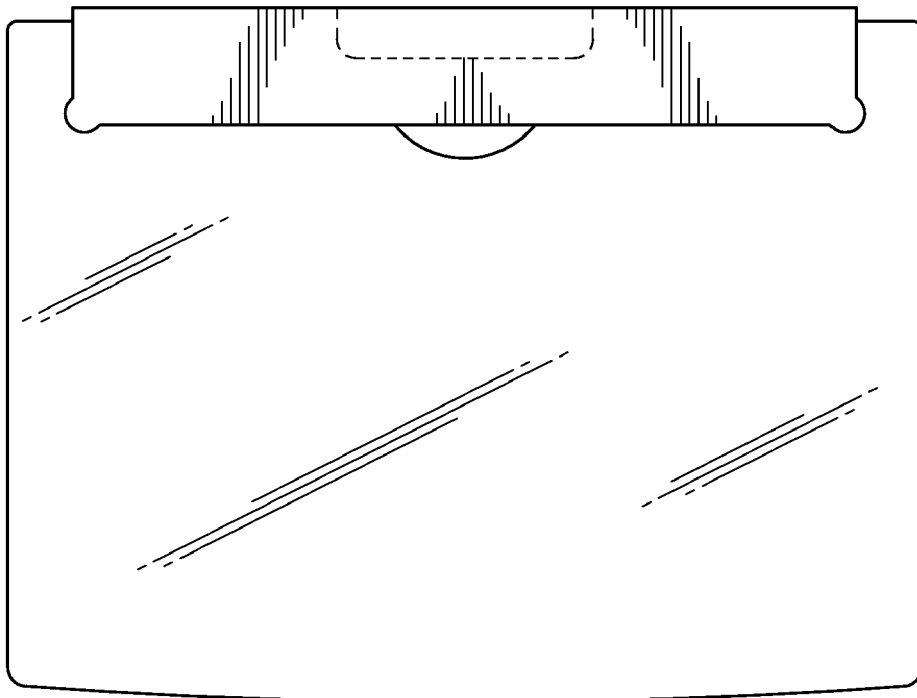
FIG. 3



**FIG. 4**



**FIG. 5**



*FIG. 6*

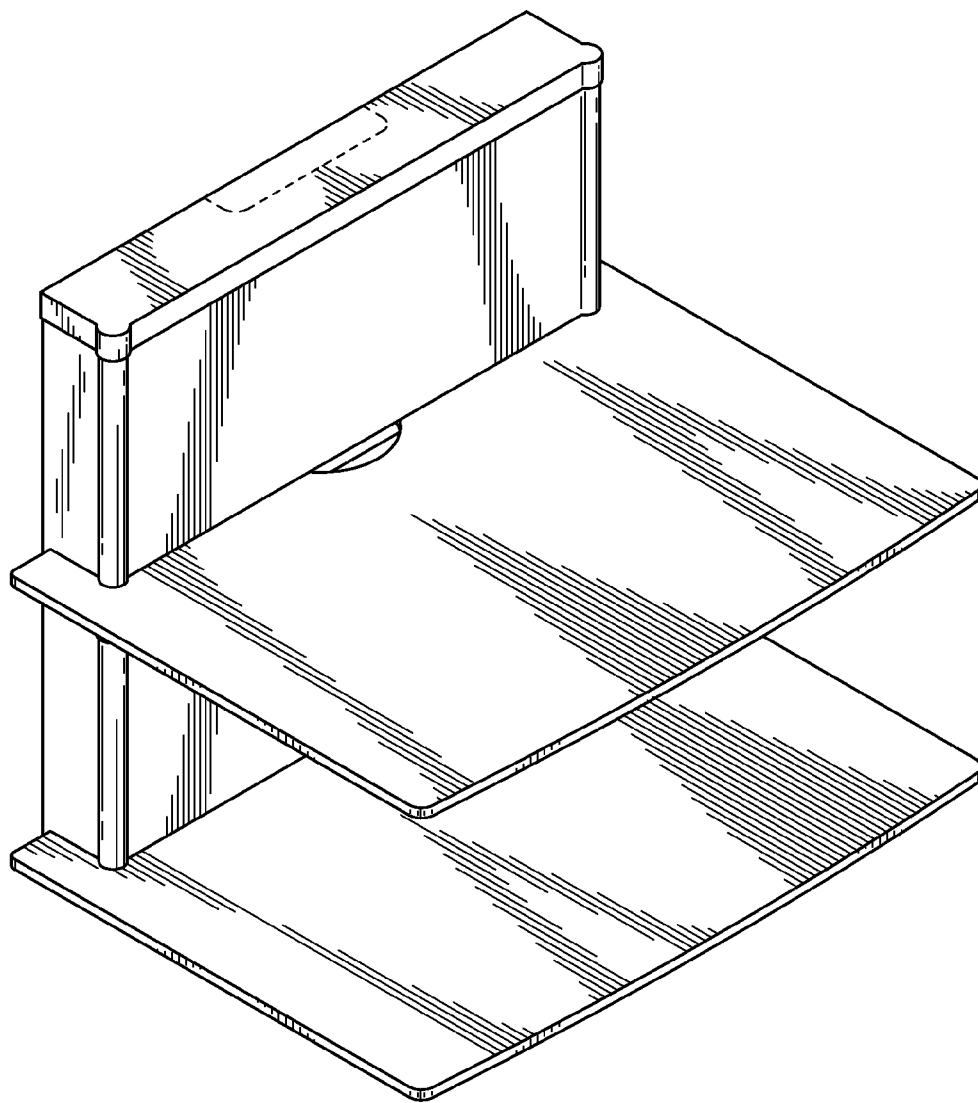


FIG. 7

