

(19) World Intellectual Property Organization
International Bureau



(43) International Publication Date
26 November 2009 (26.11.2009)

PCT

(10) International Publication Number
WO 2009/141794 A3

(51) International Patent Classification:

B65H 51/10 (2006.01) **B65H 57/04** (2006.01)
B65H 51/32 (2006.01) **H01R 43/058** (2006.01)
H01R 43/052 (2006.01)

(21) International Application Number:

PCT/IB2009/052125

(22) International Filing Date:

20 May 2009 (20.05.2009)

(25) Filing Language:

English

(26) Publication Language:

English

(30) Priority Data:

00757/08 20 May 2008 (20.05.2008) CH
61/117,189 23 November 2008 (23.11.2008) US

(71) Applicant (for all designated States except US): **Schleuniger Holding AG** [CH/CH]; Bierigutstrasse 9, CH-3608 Thun (CH).

(72) Inventors; and

(75) Inventors/Applicants (for US only): **SCHÜTZ, Peter** [DE/DE]; Ziegelstrasse 10, 42719 Solingen (DE).
WORTMANN, Thomas [DE/DE]; Hof Gùldenwerth 25, 42857 Remscheid (DE).

(74) Agent: **ROSENICH Paul, Patentbüro Paul Rosenich AG**; Bgz, CH-9497 Triesenberg (LI).

(81) Designated States (unless otherwise indicated, for every kind of national protection available): AE, AG, AL, AM, AO, AT, AU, AZ, BA, BB, BG, BH, BR, BW, BY, BZ, CA, CH, CN, CO, CR, CU, CZ, DE, DK, DM, DO, DZ, EC, EE, EG, ES, FI, GB, GD, GE, GH, GM, GT, HN, HR, HU, ID, IL, IN, IS, JP, KE, KG, KM, KN, KP, KR, KZ, LA, LC, LK, LR, LS, LT, LU, LY, MA, MD, ME, MG, MK, MN, MW, MX, MY, MZ, NA, NG, NI, NO, NZ, OM, PG, PH, PL, PT, RO, RS, RU, SC, SD, SE, SG, SK, SL, SM, ST, SV, SY, TJ, TM, TN, TR, TT, TZ, UA, UG, US, UZ, VC, VN, ZA, ZM, ZW.

(84) Designated States (unless otherwise indicated, for every kind of regional protection available): ARIPO (BW, GH, GM, KE, LS, MW, MZ, NA, SD, SL, SZ, TZ, UG, ZM, ZW), Eurasian (AM, AZ, BY, KG, KZ, MD, RU, TJ, TM), European (AT, BE, BG, CH, CY, CZ, DE, DK, EE, ES, FI, FR, GB, GR, HR, HU, IE, IS, IT, LT, LU, LV, MC, MK, MT, NL, NO, PL, PT, RO, SE, SI, SK, TR), OAPI (BF, BJ, CF, CG, CI, CM, GA, GN, GQ, GW, ML, MR, NE, SN, TD, TG).

Published:

— with international search report (Art. 21(3))

(88) Date of publication of the international search report:

29 December 2010

(54) Title: CABLE TRANSPORT DEVICE

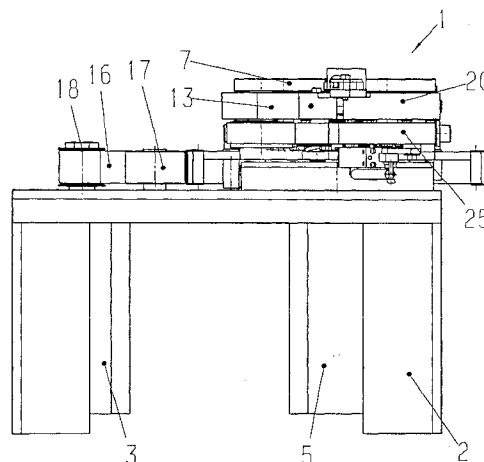


FIG. 1

(57) Abstract: The invention relates to a cable transport device having a pivotably mounted cable transporter (1), a first drive means (3) connected in a stationary manner to a base frame (2) and intended for achieving an exactly defined pivot movement of the cable transporter (1) around a pivot axis (4) and a second drive means (5) for synchronous driving of at least two cooperating pressure rollers (6, 7). According to the invention, the second drive means (5) with a drive axle (10) for the pressure rollers (6, 7) is connected in a stationary manner to the base frame (2), and the drive axle (10) of the second drive means (5) coincides with the pivot axis (4) for the cable transporter (1). In a further embodiment of the invention, the transmission of the pivot movement is effected via a toothed belt (32). According to the invention, the cable transport device is equipped with a guide sleeve (26) which is composed of a grooved plate (41) and a cover plate (40). For adaptation to different cable diameters and for correction of the position of the cable (21), these plates can be replaced and are provided for this purpose with different groove geometries.



WO 2009/141794 A3

INTERNATIONAL SEARCH REPORT

International application No
PCT/IB2009/052125

A. CLASSIFICATION OF SUBJECT MATTER INV. B65H51/10 B65H51/32 H01R43/052 B65H57/04 H01R43/058 ADD.				
According to International Patent Classification (IPC) or to both national classification and IPC				
B. FIELDS SEARCHED Minimum documentation searched (classification system followed by classification symbols) B65H H01R H02G H01B				
Documentation searched other than minimum documentation to the extent that such documents are included in the fields searched				
Electronic data base consulted during the international search (name of data base and, where practical, search terms used) EPO-Internal, WPI Data				
C. DOCUMENTS CONSIDERED TO BE RELEVANT				
Category	Citation of document, with indication, where appropriate, of the relevant passages	Relevant to claim No.		
Y A Y A	EP 0 708 050 A (KOMAX HOLDING AG [CH]) 24 April 1996 (1996-04-24) cited in the application column 1, lines 3-9 column 1, line 36 - line 49 figures 1-3 ----- EP 0 598 276 A (KOMAX HOLDING AG [CH]) 25 May 1994 (1994-05-25) column 1, line 1 - line 9 column 2, line 45 - line 56 figures 1,2 ----- EP 1 447 888 A (KOMAX HOLDING AG [CH]) 18 August 2004 (2004-08-18) paragraphs [0001], [0011] figures 1,2 ----- -/--	1,3-7,9, 12-14 2,8 1,3-7,9, 12-14 1,3-7,9		
<input checked="" type="checkbox"/> Further documents are listed in the continuation of Box C.				
<input checked="" type="checkbox"/> See patent family annex.				
* Special categories of cited documents :				
<table style="width: 100%; border: none;"> <tr> <td style="width: 50%; border: none; vertical-align: top;"> "A" document defining the general state of the art which is not considered to be of particular relevance "E" earlier document but published on or after the international filing date "L" document which may throw doubts on priority claim(s) or which is cited to establish the publication date of another citation or other special reason (as specified) "O" document referring to an oral disclosure, use, exhibition or other means "P" document published prior to the international filing date but later than the priority date claimed </td> <td style="width: 50%; border: none; vertical-align: top;"> "T" later document published after the international filing date or priority date and not in conflict with the application but cited to understand the principle or theory underlying the invention "X" document of particular relevance; the claimed invention cannot be considered novel or cannot be considered to involve an inventive step when the document is taken alone "Y" document of particular relevance; the claimed invention cannot be considered to involve an inventive step when the document is combined with one or more other such documents, such combination being obvious to a person skilled in the art. "B" document member of the same patent family </td> </tr> </table>			"A" document defining the general state of the art which is not considered to be of particular relevance "E" earlier document but published on or after the international filing date "L" document which may throw doubts on priority claim(s) or which is cited to establish the publication date of another citation or other special reason (as specified) "O" document referring to an oral disclosure, use, exhibition or other means "P" document published prior to the international filing date but later than the priority date claimed	"T" later document published after the international filing date or priority date and not in conflict with the application but cited to understand the principle or theory underlying the invention "X" document of particular relevance; the claimed invention cannot be considered novel or cannot be considered to involve an inventive step when the document is taken alone "Y" document of particular relevance; the claimed invention cannot be considered to involve an inventive step when the document is combined with one or more other such documents, such combination being obvious to a person skilled in the art. "B" document member of the same patent family
"A" document defining the general state of the art which is not considered to be of particular relevance "E" earlier document but published on or after the international filing date "L" document which may throw doubts on priority claim(s) or which is cited to establish the publication date of another citation or other special reason (as specified) "O" document referring to an oral disclosure, use, exhibition or other means "P" document published prior to the international filing date but later than the priority date claimed	"T" later document published after the international filing date or priority date and not in conflict with the application but cited to understand the principle or theory underlying the invention "X" document of particular relevance; the claimed invention cannot be considered novel or cannot be considered to involve an inventive step when the document is taken alone "Y" document of particular relevance; the claimed invention cannot be considered to involve an inventive step when the document is combined with one or more other such documents, such combination being obvious to a person skilled in the art. "B" document member of the same patent family			
Date of the actual completion of the international search <p style="text-align: center;">28 June 2010</p>	Date of mailing of the international search report <p style="text-align: center;">05/07/2010</p>			
Name and mailing address of the ISA/ European Patent Office, P.B. 5818 Patentlaan 2 NL - 2280 HV Rijswijk Tel. (+31-70) 340-2040, Fax: (+31-70) 340-3018	Authorized officer <p style="text-align: center;">Guisan, Thierry</p>			

INTERNATIONAL SEARCH REPORT

International application No

PCT/IB2009/052125

C(Continuation). DOCUMENTS CONSIDERED TO BE RELEVANT

Category	Citation of document, with indication, where appropriate, of the relevant passages	Relevant to claim No.
A	US 5 784 770 A (LONG JR ALDEN OWEN [US] ET AL) 28 July 1998 (1998-07-28) * abstract figures 1,2 -----	1
X	JP 2004 071237 A (YAZAKI CORP) 4 March 2004 (2004-03-04) * abstract paragraph [0029]; figure 2 -----	10,11
X	WO 02/077685 A1 (ERICSSON TELEFON AB L M [SE]; ENSTRAND JAN-AAKE [SE]; HOEN JAP [SE]; L) 3 October 2002 (2002-10-03) figures 4-6 -----	10,11
Y	US 2005/097731 A1 (MIYOSHI AKIRA [JP] ET AL) 12 May 2005 (2005-05-12) paragraph [0002] paragraph [0036] - paragraph [0040] figure 6 -----	12-14
A	US 5 820 008 A (COLLEGE DAVID A [US]) 13 October 1998 (1998-10-13) column 1, line 4 - line 8 column 1, line 55 - line 67 column 4, line 10 - line 20 column 5, line 13 - line 56 -----	12-14
A	EP 0 297 484 A1 (STEPAN JIRI) 4 January 1989 (1989-01-04) column 3, line 3 - line 12 figures 1-4 -----	12-14

INTERNATIONAL SEARCH REPORT

International application No.
PCT/IB2009/052125

Box No. II Observations where certain claims were found unsearchable (Continuation of item 2 of first sheet)

This international search report has not been established in respect of certain claims under Article 17(2)(a) for the following reasons:

1. Claims Nos.:
because they relate to subject matter not required to be searched by this Authority, namely:

2. Claims Nos.:
because they relate to parts of the international application that do not comply with the prescribed requirements to such an extent that no meaningful international search can be carried out, specifically:

3. Claims Nos.:
because they are dependent claims and are not drafted in accordance with the second and third sentences of Rule 6.4(a).

Box No. III Observations where unity of invention is lacking (Continuation of item 3 of first sheet)

This International Searching Authority found multiple inventions in this international application, as follows:

see additional sheet

1. As all required additional search fees were timely paid by the applicant, this international search report covers all searchable claims.

2. As all searchable claims could be searched without effort justifying an additional fees, this Authority did not invite payment of additional fees.

3. As only some of the required additional search fees were timely paid by the applicant, this international search report covers only those claims for which fees were paid, specifically claims Nos.:

4. No required additional search fees were timely paid by the applicant. Consequently, this international search report is restricted to the invention first mentioned in the claims; it is covered by claims Nos.:

Remark on Protest

- The additional search fees were accompanied by the applicant's protest and, where applicable, the payment of a protest fee.
- The additional search fees were accompanied by the applicant's protest but the applicable protest fee was not paid within the time limit specified in the invitation.
- No protest accompanied the payment of additional search fees.

FURTHER INFORMATION CONTINUED FROM PCT/ISA/ 210

This International Searching Authority found multiple (groups of) inventions in this international application, as follows:

1. claims: 1-9

Cable transport device having a pivotably mounted cable transporter and a first drive means intended for achieving a pivot movement of the cable transporter and a second drive means for synchronously driving pressure rollers wherein the second drive means is connected in a stationary manner to the base frame.

2. claims: 10-14

Cable transport device having a guide sleeve composed of a groove plate and a cover plate with different groove geometries.

INTERNATIONAL SEARCH REPORT

Information on patent family members

International application No

PCT/IB2009/052125

Patent document cited in search report	Publication date	Patent family member(s)	Publication date
EP 0708050	A	24-04-1996	CH 689278 A5 29-01-1999
			DE 59406847 D1 08-10-1998
			JP 3612371 B2 19-01-2005
			JP 8255518 A 01-10-1996
			US 5601223 A 11-02-1997

EP 0598276	A	25-05-1994	CH 684374 A5 31-08-1994
			DE 59301461 D1 29-02-1996
			JP 3461370 B2 27-10-2003
			JP 6220782 A 09-08-1994
			US 5412855 A 09-05-1995

EP 1447888	A	18-08-2004	NONE

US 5784770	A	28-07-1998	AU 4234397 A 19-03-1998
			WO 9809357 A1 05-03-1998

JP 2004071237	A	04-03-2004	NONE

WO 02077685	A1	03-10-2002	SE 519712 C2 01-04-2003
			SE 0101005 A 23-09-2002
			TW 525325 B 21-03-2003

US 2005097731	A1	12-05-2005	CN 1599155 A 23-03-2005

US 5820008	A	13-10-1998	NONE

EP 0297484	A1	04-01-1989	DE 3874025 D1 01-10-1992
			JP 1020917 A 24-01-1989
			JP 2793596 B2 03-09-1998
			US 5010797 A 30-04-1991
