



- (51) International Patent Classification:
H04R 25/00 (2006.01) *H04R 3/00* (2006.01)
- (21) International Application Number:
PCT/IB2015/002138
- (22) International Filing Date:
28 September 2015 (28.09.2015)
- (25) Filing Language: English
- (26) Publication Language: English
- (30) Priority Data:
62/058,079 30 September 2014 (30.09.2014) US
- (71) Applicant: **COCHLEAR LIMITED** [AU/AU]; c/o IP Department, 1 University Avenue, Macquarie University, Sydney, New South Wales, 2109 (AU).
- (72) Inventors: **FRIEDING, Jan, Patrick**; Cochlear Limited, c/o IP Department, 1 University Avenue, Macquarie University, Sydney, New South Wales, 2109 (AU). **POPOVAC, Ivana**; Cochlear Limited, c/o IP Department, 1 University Avenue, Macquarie University, Sydney, New South Wales, 2109 (AU).

- (81) Designated States (unless otherwise indicated, for every kind of national protection available): AE, AG, AL, AM, AO, AT, AU, AZ, BA, BB, BG, BH, BN, BR, BW, BY, BZ, CA, CH, CL, CN, CO, CR, CU, CZ, DE, DK, DM, DO, DZ, EC, EE, EG, ES, FI, GB, GD, GE, GH, GM, GT, HN, HR, HU, ID, IL, IN, IR, IS, JP, KE, KG, KN, KP, KR, KZ, LA, LC, LK, LR, LS, LU, LY, MA, MD, ME, MG, MK, MN, MW, MX, MY, MZ, NA, NG, NI, NO, NZ, OM, PA, PE, PG, PH, PL, PT, QA, RO, RS, RU, RW, SA, SC, SD, SE, SG, SK, SL, SM, ST, SV, SY, TH, TJ, TM, TN, TR, TT, TZ, UA, UG, US, UZ, VC, VN, ZA, ZM, ZW.
- (84) Designated States (unless otherwise indicated, for every kind of regional protection available): ARIPO (BW, GH, GM, KE, LR, LS, MW, MZ, NA, RW, SD, SL, ST, SZ, TZ, UG, ZM, ZW), Eurasian (AM, AZ, BY, KG, KZ, RU, TJ, TM), European (AL, AT, BE, BG, CH, CY, CZ, DE, DK, EE, ES, FI, FR, GB, GR, HR, HU, IE, IS, IT, LT, LU, LV, MC, MK, MT, NL, NO, PL, PT, RO, RS, SE, SI, SK, SM, TR), OAPI (BF, BJ, CF, CG, CI, CM, GA, GN, GQ, GW, KM, ML, MR, NE, SN, TD, TG).

[Continued on next page]

(54) Title: USER INTERFACES OF A HEARING DEVICE

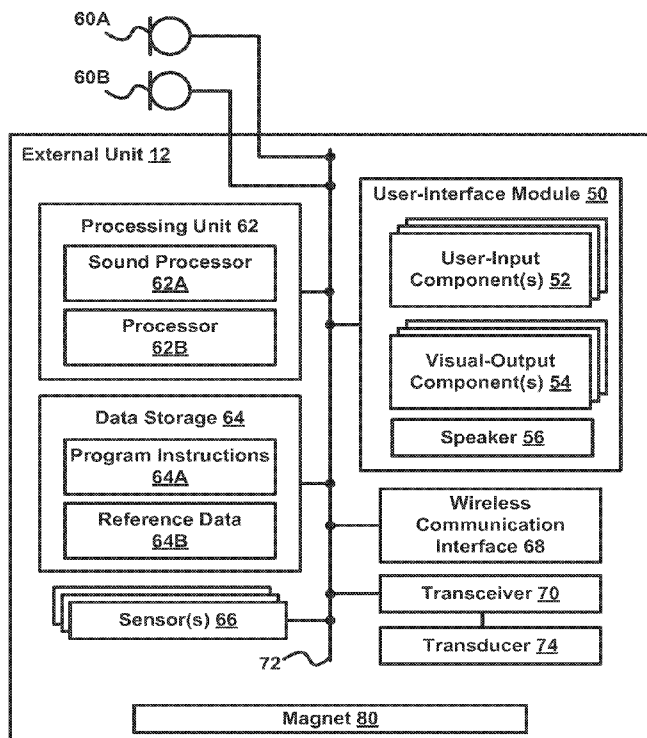


FIG. 3

(57) Abstract: Disclosed herein are methods, systems, and devices for dynamically adjusting a user interface provided by an external unit of a hearing device. In an example method, the external unit determines whether a state of the external unit is one of (i) a coupled state when the external unit and the stimulation unit are coupled or (ii) a decoupled state when the external and the stimulation unit are decoupled. The external unit then provides one of (i) a first user interface when the determined state is the coupled state or (ii) a second user interface when the determined state is the decoupled state. The second user interface provides access to a greater number of functions of the hearing device than first user interface provides.

WO 2016/051280 A3



Published:

(88) Date of publication of the international search report:

19 May 2016

- *with international search report (Art. 21(3))*
- *before the expiration of the time limit for amending the claims and to be republished in the event of receipt of amendments (Rule 48.2(h))*

A. CLASSIFICATION OF SUBJECT MATTER**H04R 25/00(2006.01)i, H04R 3/00(2006.01)i**

According to International Patent Classification (IPC) or to both national classification and IPC

B. FIELDS SEARCHEDMinimum documentation searched (classification system followed by classification symbols)
H04R 25/00; A61F 11/04; A61N 1/36; A61N 1/08; H04R 3/00Documentation searched other than minimum documentation to the extent that such documents are included in the fields searched
Korean utility models and applications for utility models
Japanese utility models and applications for utility modelsElectronic data base consulted during the international search (name of data base and, where practicable, search terms used)
eKOMPASS(KIPO internal) & Keywords: display, stimulation, auditory, state, status, interface, coupling, connection, output, light, parameter, prosthesis, implant**C. DOCUMENTS CONSIDERED TO BE RELEVANT**

Category*	Citation of document, with indication, where appropriate, of the relevant passages	Relevant to claim No.
Y	US 7092763 B1 (GLEN A GRIFFITH et al.) 15 August 2006 See column 5, line 9 - column 8, line 27 and figures 1-3.	1-20
Y	US 2012-0029594 A1 (FERNANDO CHAPA et al.) 02 February 2012 See paragraphs [0037]-[0073] and figures 3-9.	1-20
A	US 2009-0264963 A1 (MICHAEL A. FALTYS et al.) 22 October 2009 See abstract, paragraphs [0047]-[0083] and figures 1-5.	1-20
A	US 2013-0039519 A1 (SOREN KILSGAARD et al.) 14 February 2013 See abstract, paragraphs [0032]-[0059] and figures 1-4.	1-20
A	KR 10-2011-0011394 A (SUN HO, KIM) 08 February 2011 See abstract, paragraphs [0021]-[0040] and figures 1-4.	1-20

 Further documents are listed in the continuation of Box C. See patent family annex.

* Special categories of cited documents:

"A" document defining the general state of the art which is not considered to be of particular relevance

"E" earlier application or patent but published on or after the international filing date

"L" document which may throw doubts on priority claim(s) or which is cited to establish the publication date of another citation or other special reason (as specified)

"O" document referring to an oral disclosure, use, exhibition or other means

"P" document published prior to the international filing date but later than the priority date claimed

"T" later document published after the international filing date or priority date and not in conflict with the application but cited to understand the principle or theory underlying the invention

"X" document of particular relevance; the claimed invention cannot be considered novel or cannot be considered to involve an inventive step when the document is taken alone

"Y" document of particular relevance; the claimed invention cannot be considered to involve an inventive step when the document is combined with one or more other such documents, such combination being obvious to a person skilled in the art

"&" document member of the same patent family

Date of the actual completion of the international search

24 March 2016 (24.03.2016)

Date of mailing of the international search report

28 March 2016 (28.03.2016)

Name and mailing address of the ISA/KR

International Application Division

Korean Intellectual Property Office

189 Cheongsa-ro, Seo-gu, Daejeon, 35208, Republic of Korea

Facsimile No. +82-42-472-7140

Authorized officer

COMMISSIONER

Telephone No. +82-42-481-8112



INTERNATIONAL SEARCH REPORT

Information on patent family members

International application No.

PCT/IB2015/002138

Patent document cited in search report	Publication date	Patent family member(s)	Publication date
US 7092763 B1	15/08/2006	US 6842647 B1 US 7043304 B1	11/01/2005 09/05/2006
US 2012-0029594 A1	02/02/2012	EP 2599335 A1 US 8694112 B2 WO 2012-016009 A1	05/06/2013 08/04/2014 02/02/2012
US 2009-0264963 A1	22/10/2009	US 2005-0245991 A1 US 2009-0264962 A1 US 7561920 B2 US 8150527 B2 US 8155747 B2 WO 2005-097255 A1	03/11/2005 22/10/2009 14/07/2009 03/04/2012 10/04/2012 20/10/2005
US 2013-0039519 A1	14/02/2013	AU 2011-226128 A1 AU 2011-226131 A1 AU 2011-226131 B2 CA 2792455 A1 CA 2792498 A1 CN 102792716 A CN 102792716 B CN 102869304 A CN 102869304 B DK 2545719 T3 JP 05642206 B2 JP 05663039 B2 JP 2013-521086 A JP 2013-521687 A KR 10-1382971 B1 KR 10-1412824 B1 KR 10-2012-0116998 A KR 10-2012-0120420 A SG 183969 A1 SG 183970 A1 US 2012-316418 A1 US 8923542 B2 WO 2011-110218 A1 WO 2011-110579 A1 WO 2011-110582 A1	09/08/2012 23/08/2012 08/05/2014 15/09/2011 15/09/2011 21/11/2012 11/02/2015 09/01/2013 09/09/2015 16/12/2013 17/12/2014 04/02/2015 10/06/2013 10/06/2013 08/04/2014 27/06/2014 23/10/2012 01/11/2012 30/10/2012 30/10/2012 13/12/2012 30/12/2014 15/09/2011 15/09/2011 15/09/2011
KR 10-2011-0011394 A	08/02/2011	KR 10-1055780 B1	11/08/2011