



US00D511196S

(12) **United States Design Patent**
Wehner

(10) **Patent No.:** **US D511,196 S**

(45) **Date of Patent:** **** Nov. 1, 2005**

(54) **ENCLOSURE**

(76) **Inventor:** **Scott D. Wehner**, 4407 W. Stanley Rd.,
Mt. Morris, MI (US) 48458

(**) **Term:** **14 Years**

(21) **Appl. No.:** **29/221,701**

(22) **Filed:** **Jan. 21, 2005**

4,637,748 A	1/1987	Beavers	
4,941,499 A	7/1990	Pelsue et al.	
4,998,552 A	3/1991	Niksic et al.	
5,069,572 A	12/1991	Niksic	
5,394,897 A	3/1995	Ritchey et al.	
D397,756 S	* 9/1998	Hagerty	D21/811
6,092,544 A	* 7/2000	Zheng	135/125
6,296,415 B1	10/2001	Johnson et al.	
6,318,394 B1	* 11/2001	Zheng	135/126
6,499,260 B2	12/2002	Kasinger et al.	

Related U.S. Application Data

(63) Continuation of application No. 10/889,675, filed on Jul. 13, 2004.

(51) **LOC (8) Cl.** **21-04**

(52) **U.S. Cl.** **D21/834**

(58) **Field of Search** D21/834-839;
47/17; 135/124, 125, 126, 128, 143, 153;
D25/33

* cited by examiner

Primary Examiner—Holly Baynham

Assistant Examiner—Cynthia M. Chin

(74) *Attorney, Agent, or Firm*—Young & Basile, P.C

(57) **CLAIM**

The ornamental design for a enclosure, as shown and described.

DESCRIPTION

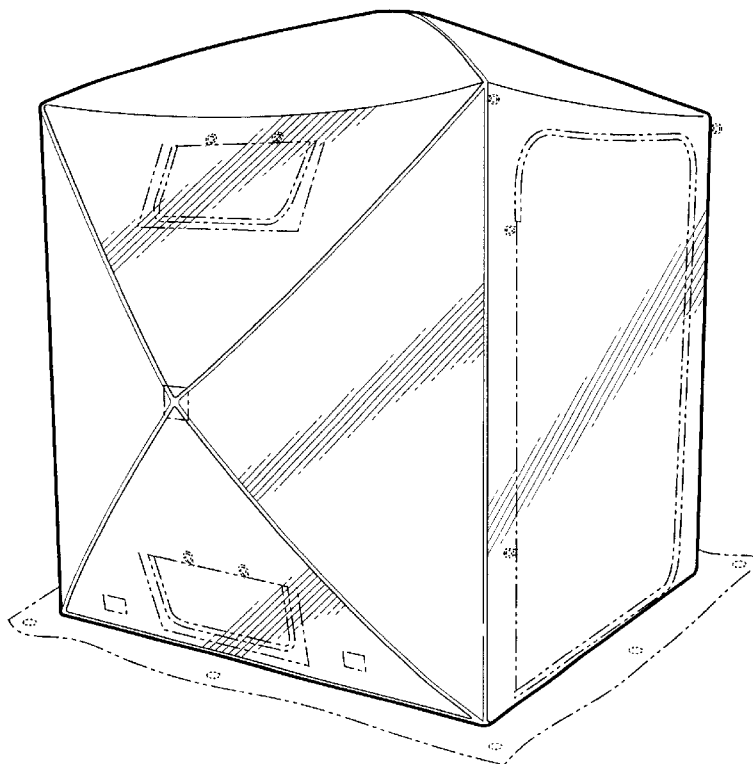
FIG. 1 is a perspective view of the enclosure showing my new design; FIG. 2 is a front elevational view of the enclosure of FIG. 1; FIG. 3 is a rear elevational view of the enclosure of FIG. 1; FIG. 4 is a side elevational view of the enclosure of FIG. 1, the opposite side being a mirror image thereof; FIG. 5 is a top plan view of the enclosure of FIG. 1; and, FIG. 6 is a bottom plan view of the enclosure of FIG. 1. The broken lines showing additional detail are for illustrative purposes only and form no part of the claimed design.

(56) **References Cited**

U.S. PATENT DOCUMENTS

3,502,091 A	3/1970	Corbin	
3,766,932 A	10/1973	Sidis et al.	
3,810,482 A	5/1974	Beavers	
3,875,952 A	* 4/1975	Black	135/91
3,941,140 A	3/1976	Beavers	
4,026,312 A	5/1977	Beavers	
4,067,346 A	1/1978	Husted	
4,073,105 A	* 2/1978	Daugherty	52/169.9
4,077,417 A	3/1978	Beavers	
4,285,354 A	8/1981	Beavers	

1 Claim, 3 Drawing Sheets



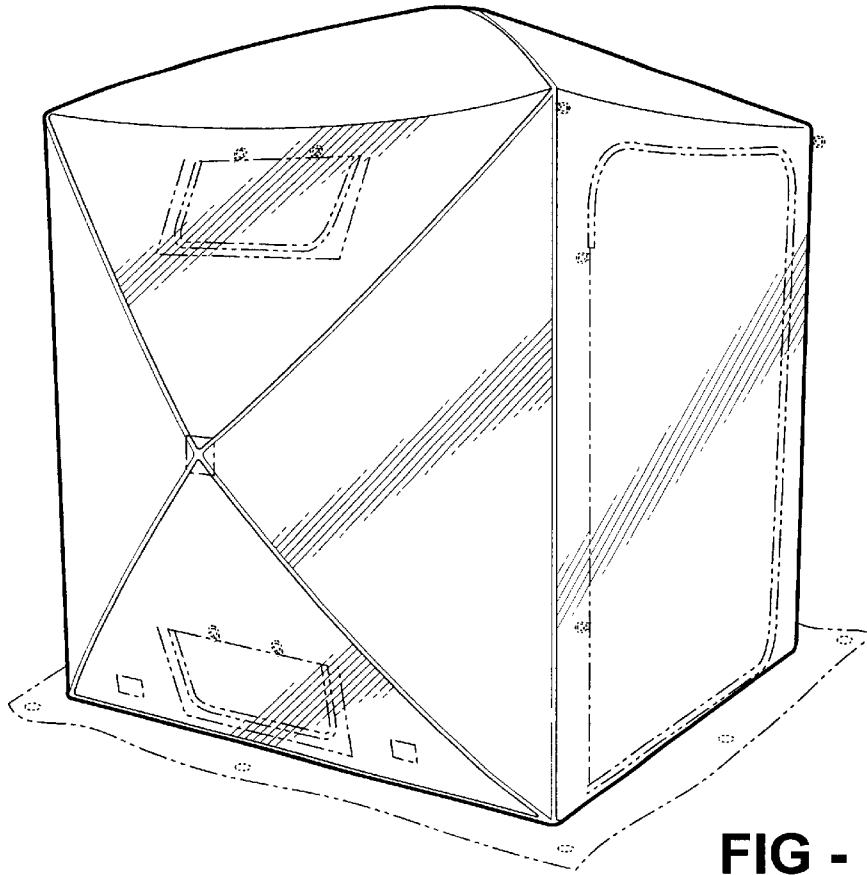


FIG - 1

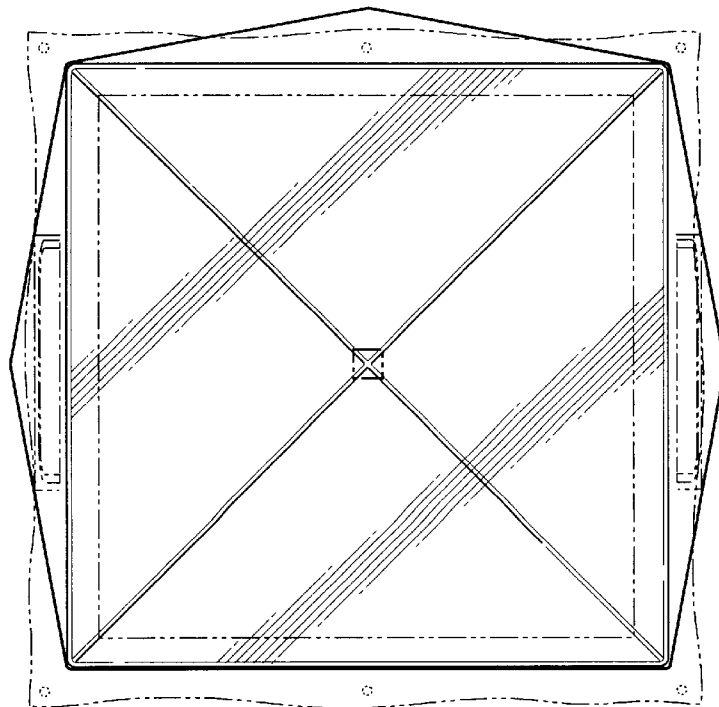


FIG - 6

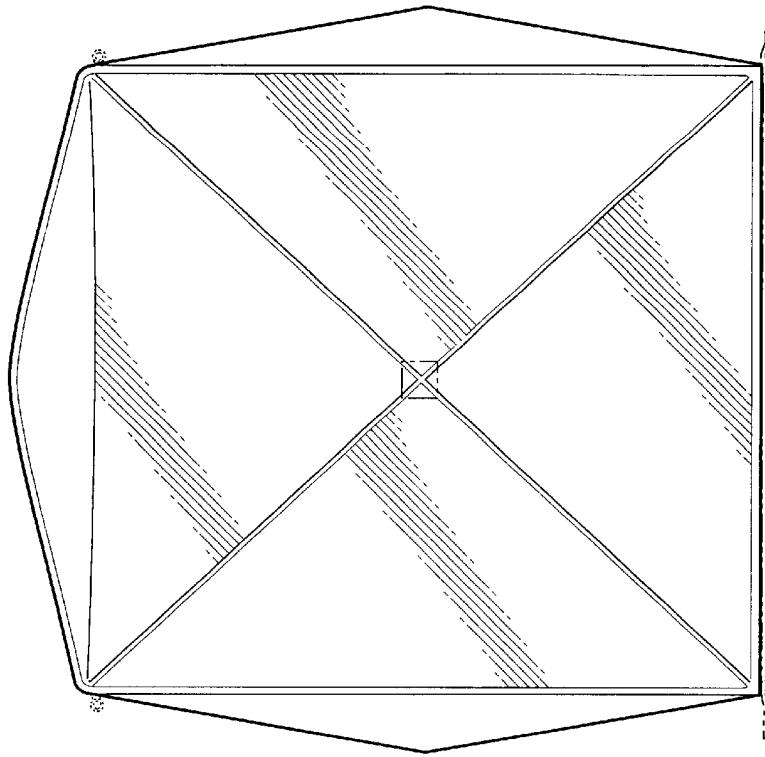


FIG - 3

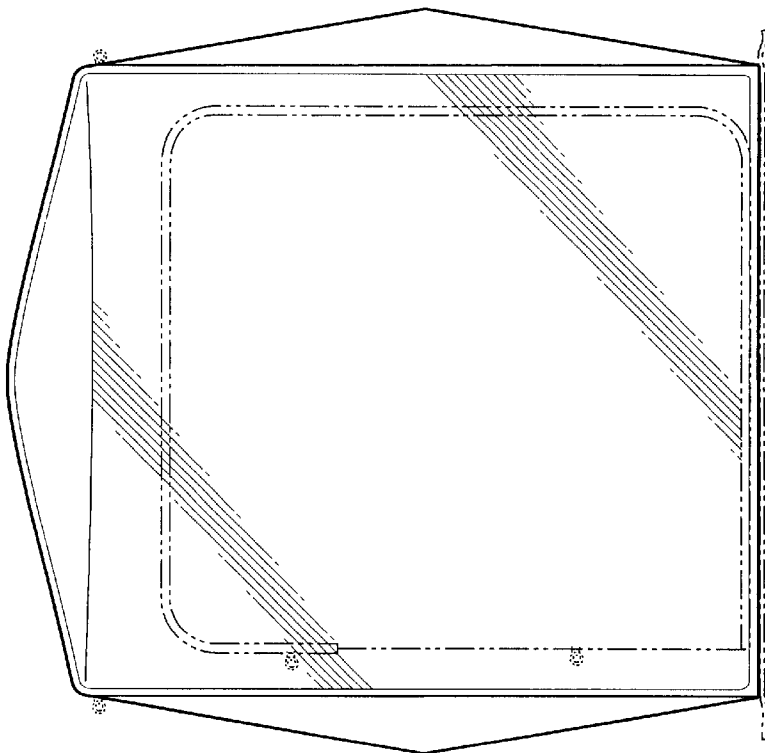


FIG - 2

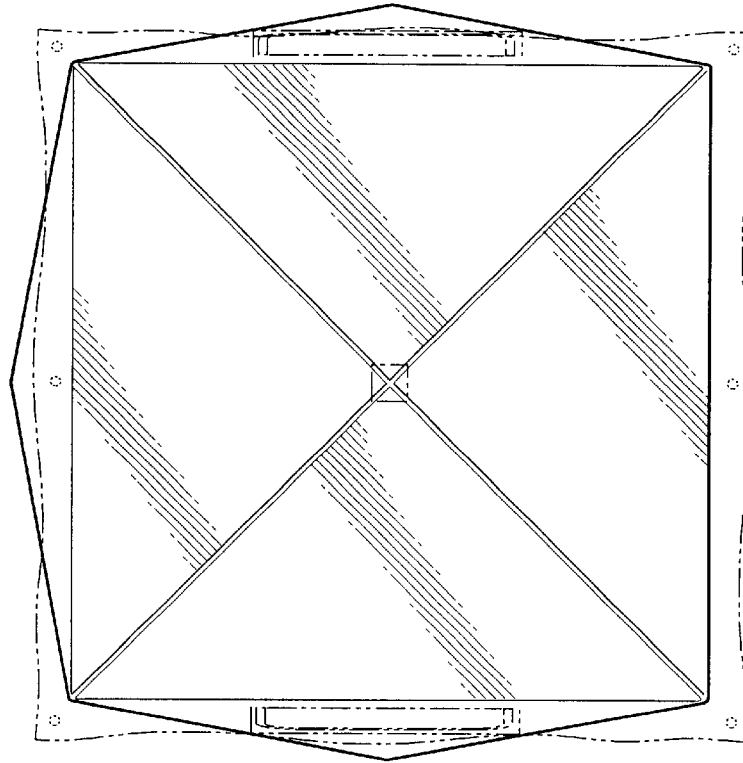


FIG - 5

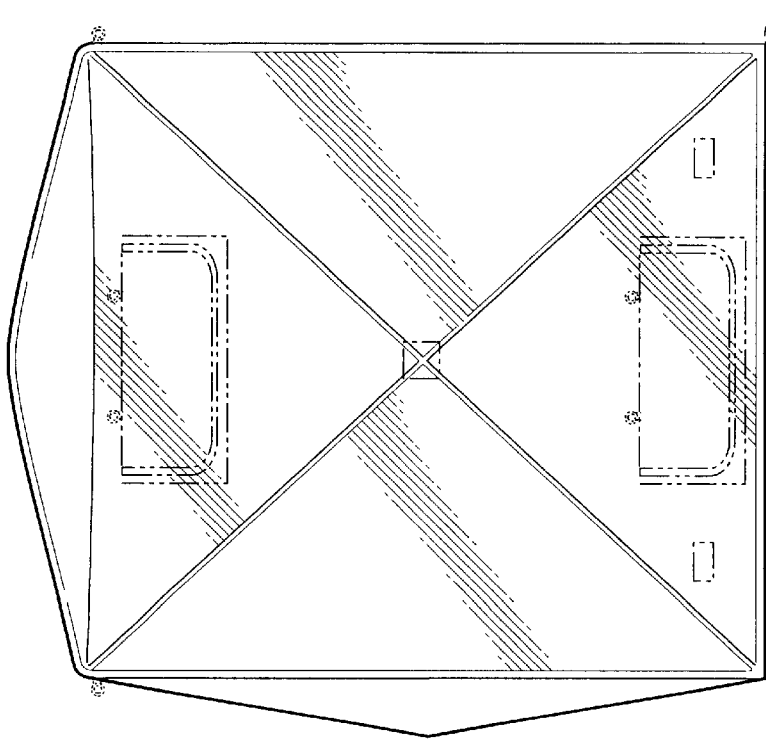


FIG - 4