



US0D1035637S

(12) **United States Design Patent**  
**Cheung et al.**

(10) **Patent No.:** **US D1,035,637 S**

(45) **Date of Patent:** **\*\* Jul. 16, 2024**

(54) **MOBILE PHONE SUPPORT**

(71) Applicant: **THE UNIVERSITY OF HONG KONG**, Hong Kong (HK)

(72) Inventors: **Man Chee Kenneth Cheung**, Hong Kong (HK); **Ogulcan Guldeniz**, Hong Kong (HK); **Zijian Jack Wei**, Hong Kong (HK)

(73) Assignee: **THE UNIVERSITY OF HONG KONG**, Hong Kong (HK)

(\*\*) Term: **15 Years**

(21) Appl. No.: **29/851,208**

(22) Filed: **Aug. 26, 2022**

(51) **LOC (14) Cl.** ..... **14-03**

(52) **U.S. Cl.**  
USPC ..... **D14/253**

(58) **Field of Classification Search**  
USPC ..... D14/251–253, 217, 447; D3/218;  
D12/114, 415  
CPC ..... F16M 13/00; F16M 2200/00; H04M 1/12;  
H04M 1/11; H04M 1/04; H04M 1/02  
See application file for complete search history.

(56) **References Cited**

**U.S. PATENT DOCUMENTS**

D283,588 S *	4/1986	Stuckey	.....	D7/332
D639,928 S *	6/2011	Malone	.....	D23/422
D678,167 S *	3/2013	Frost	.....	D12/223
D702,499 S *	4/2014	Zemel	.....	D7/409
D784,352 S *	4/2017	Burgess	.....	D14/447

**FOREIGN PATENT DOCUMENTS**

GB 6222605 \* 9/2022

**OTHER PUBLICATIONS**

Cell Phone Holder for Exercise Bikes, Dec. 21, 2021, retrieved Mar. 20, 2024, retrieved from the internet URL: < <https://www.amazon.com/Muck-Sweat-Holder-Compatible-Peloton/dp/B09NZGYTD2> > (Year: 2021).\*

Imeea Gold Soap Dish, Mar. 4, 2019, retrieved Mar. 20, 2024, retrieved from the internet URL: < <https://www.amazon.com/IMEEA-Ceramic-Stainless-Bathroom-Kitchen/dp/B07PD9ZZ5Z?> > (Year: 2019).\*

\* cited by examiner

*Primary Examiner* — Janice Hallmark

*Assistant Examiner* — Rodolfo Castro, Jr.

(74) *Attorney, Agent, or Firm* — Amin, Turocy & Watson, LLP

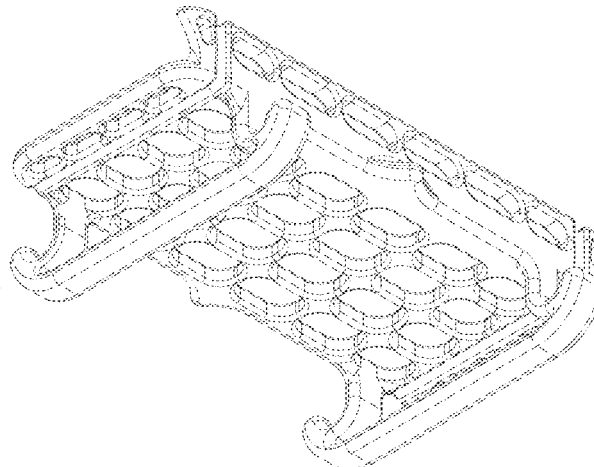
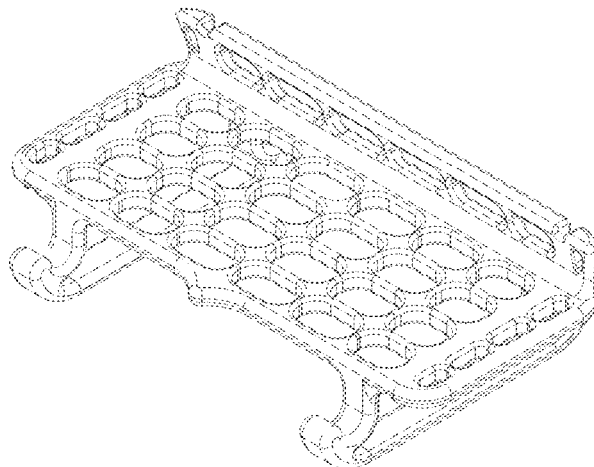
(57) **CLAIM**

The ornamental design for a mobile phone support, as shown and described.

**DESCRIPTION**

FIG. 1 is a top and back perspective view of a mobile phone support showing my new design; FIG. 2 is a top and front perspective view thereof; FIG. 3 is a bottom and front perspective view thereof; FIG. 4 is a bottom and back perspective view thereof; FIG. 5 is a top plan view thereof; FIG. 6 is a bottom plan view thereof; FIG. 7 is a front side elevational view thereof; FIG. 8 is a back side elevational view thereof; FIG. 9 is a right side elevational view thereof; and, FIG. 10 is a left side elevational view thereof.

**1 Claim, 8 Drawing Sheets**



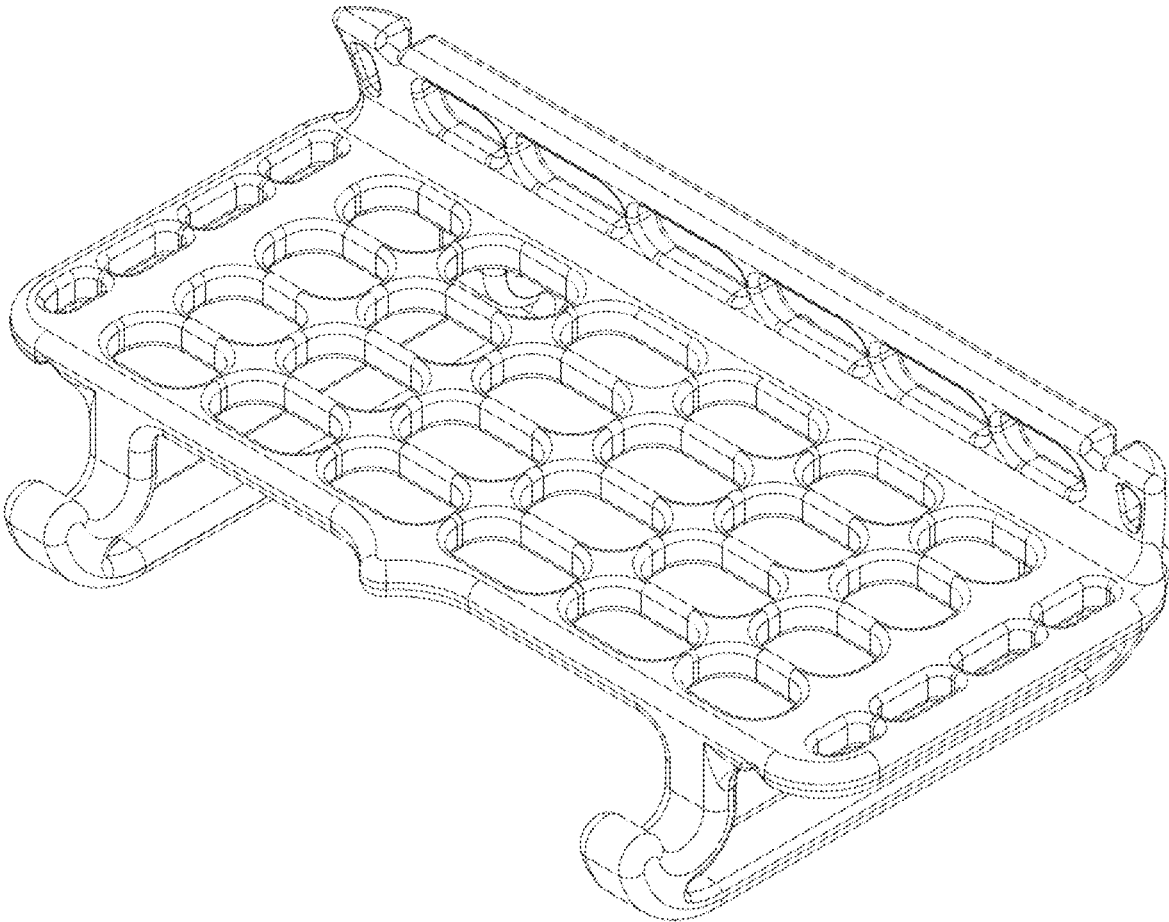


Fig. 1

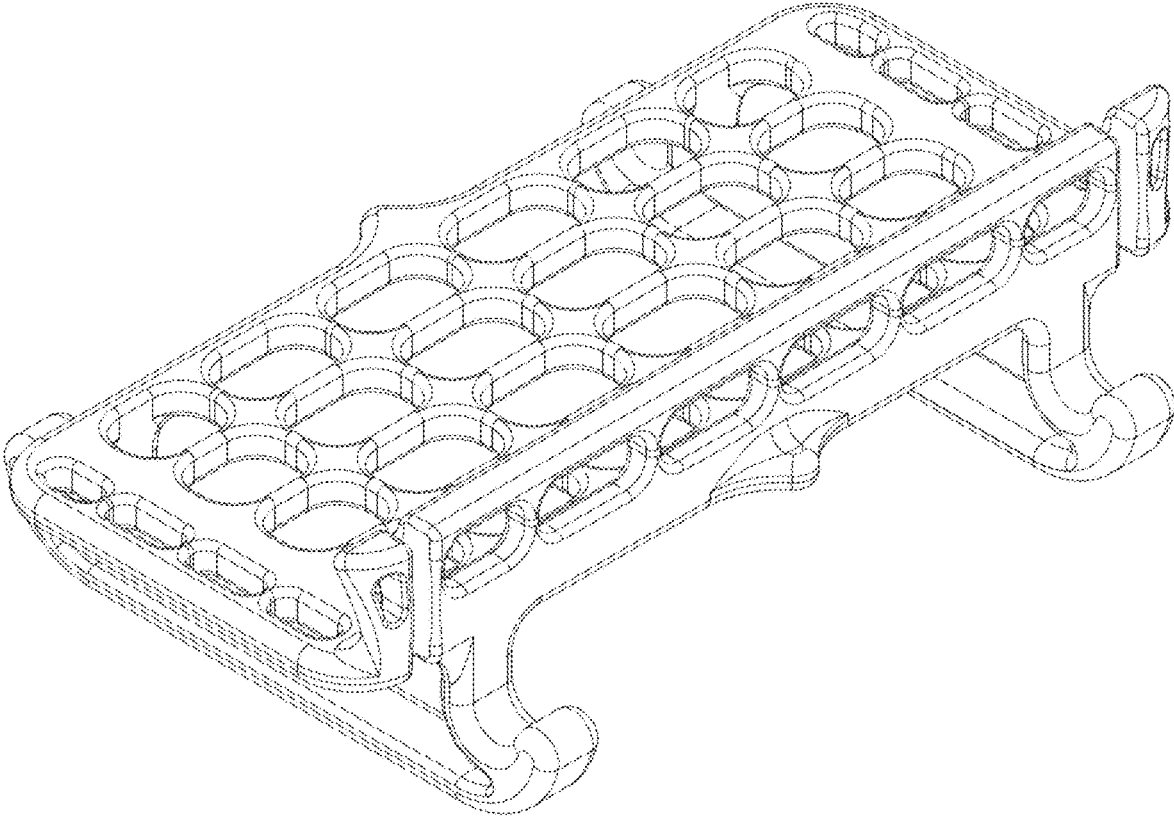


Fig. 2

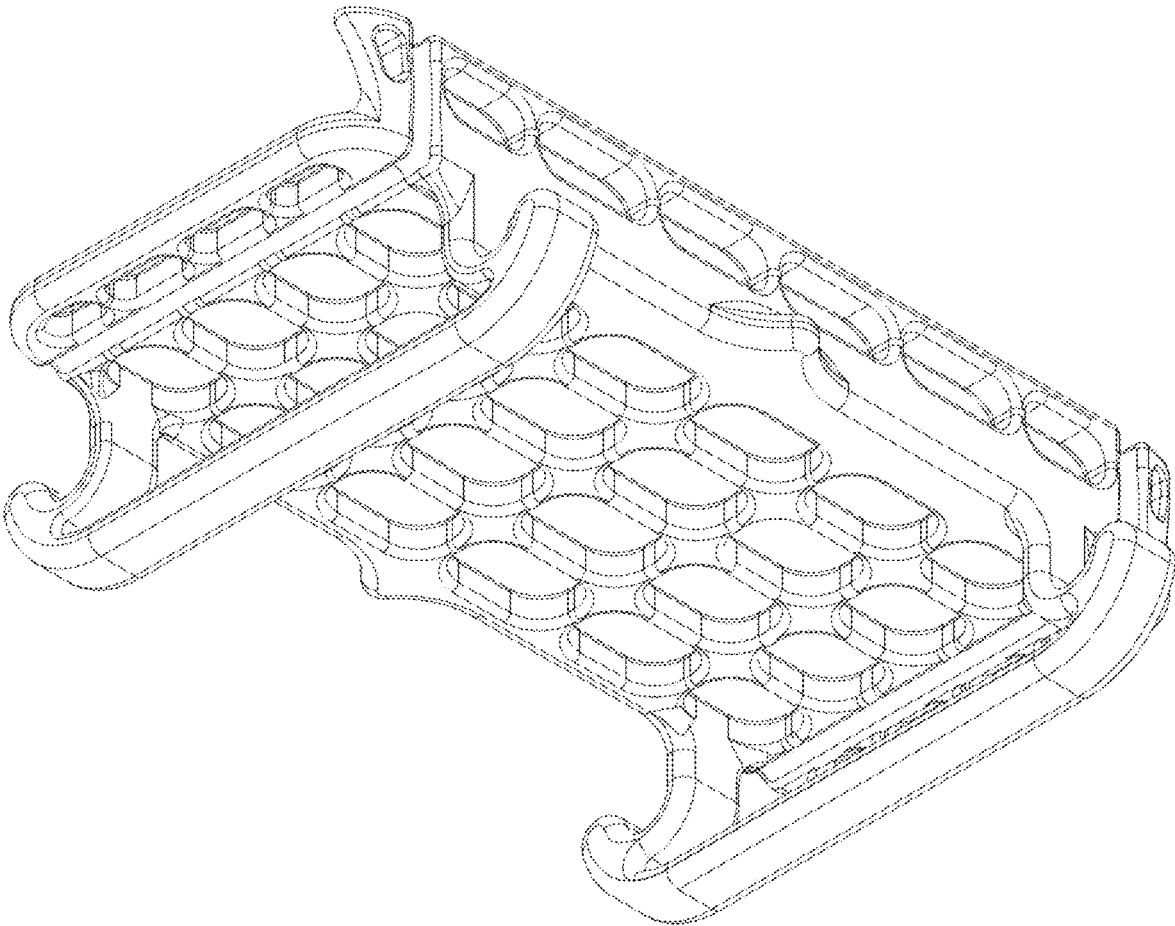


Fig. 3

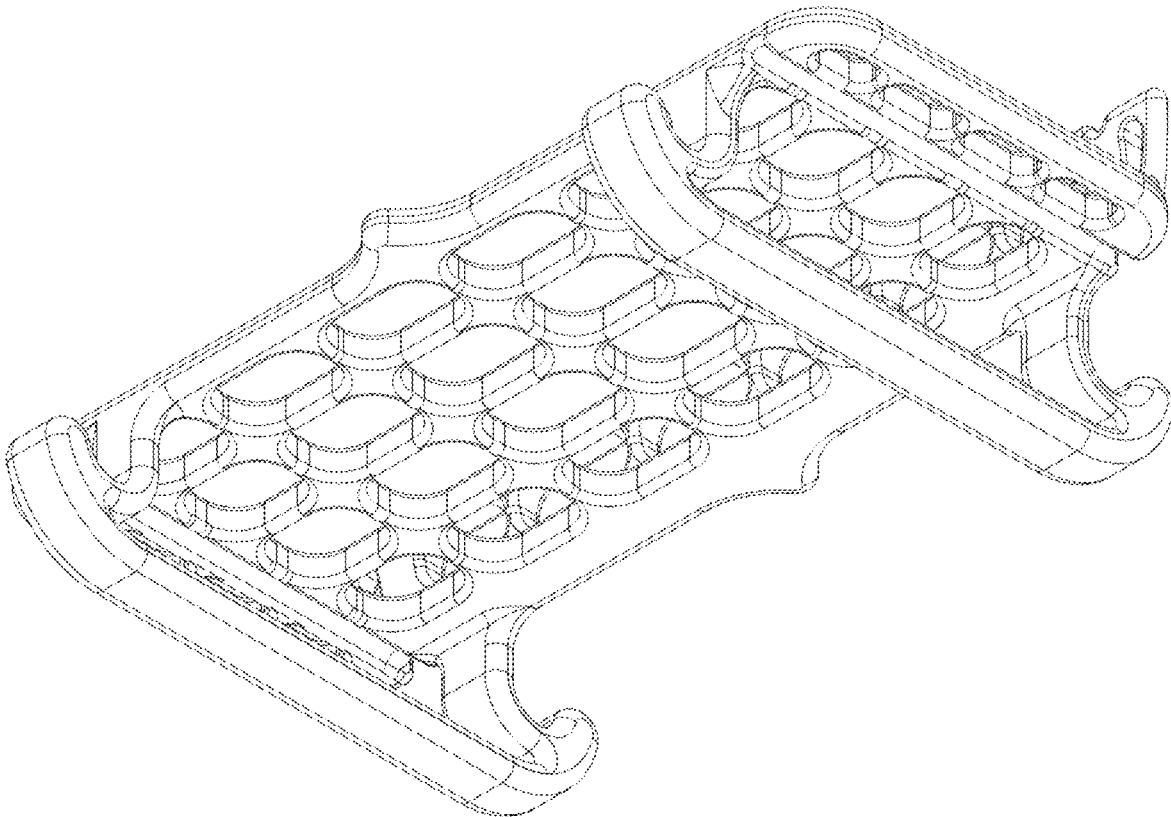
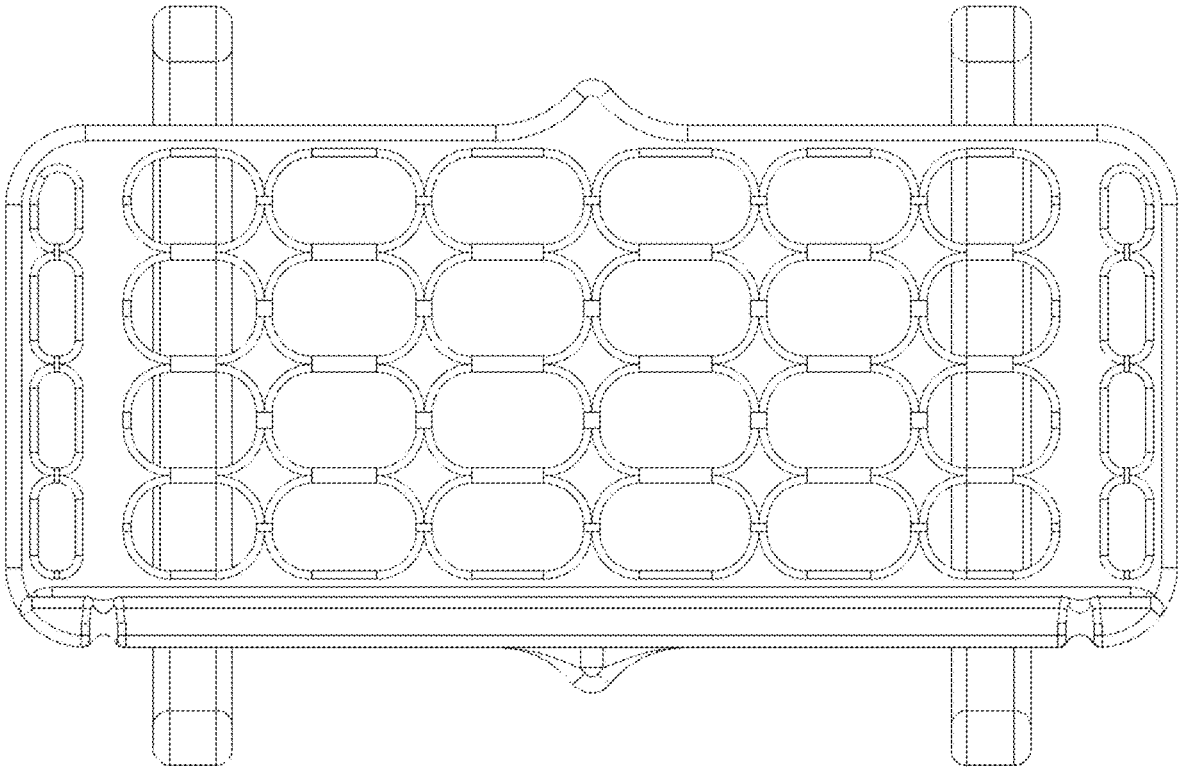


Fig. 4



Top

Fig. 5

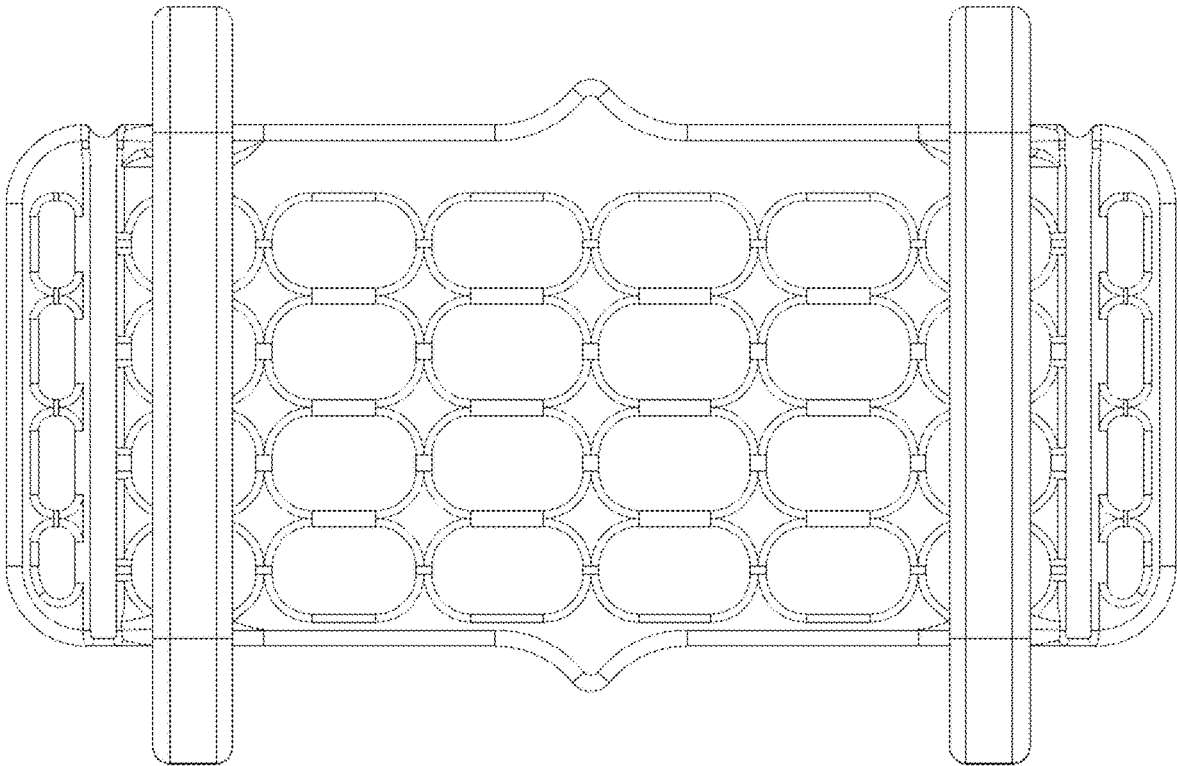


Fig. 6

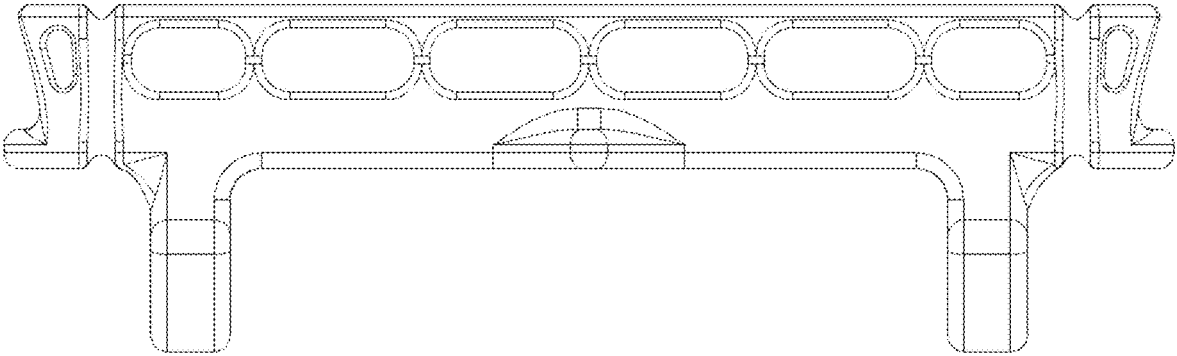


Fig. 7

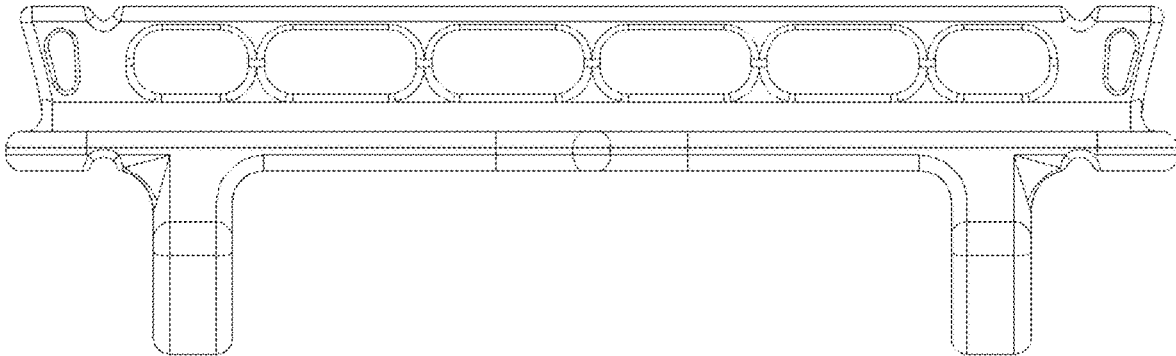


Fig. 8

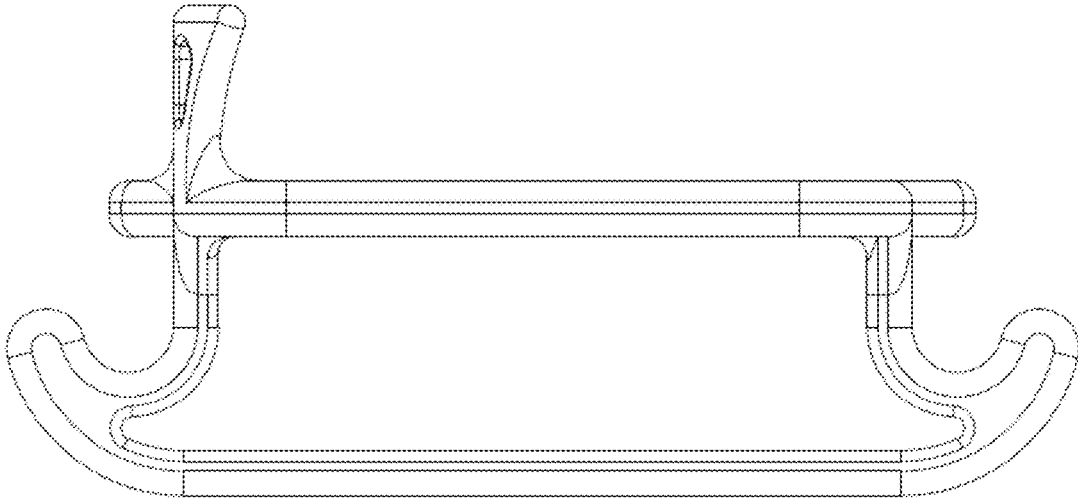


Fig. 9

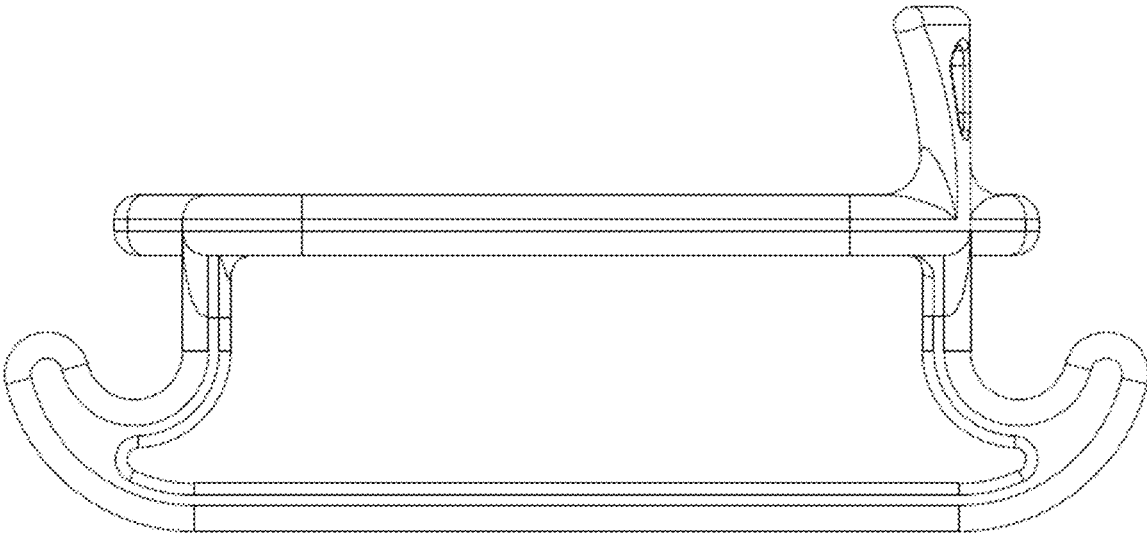


Fig. 10