



US00D397709S

United States Patent [19]

Park et al.

[11] Patent Number: Des. 397,709

[45] Date of Patent: **Sep. 1, 1998

[54] VIDEO PROJECTOR

3,459,475 8/1969 Lucas 353/DIG. 4

[75] Inventors: Hee-Seong Park, Kyungki-do; Mi-Rae Mun, Seoul, both of Rep. of Korea

[73] Assignee: Samsung Aerospace Industries, Ltd., Kyeongsangnam-do, Rep. of Korea

[**] Term: 14 Years

[21] Appl. No.: 57,467

[22] Filed: Jul. 26, 1996

[30] Foreign Application Priority Data

Jan. 26, 1996 [KR] Rep. of Korea 1996-1201

[51] LOC (6) Cl. 16-02

[52] U.S. Cl. D16/232; D16/234

[58] Field of Search D16/221, 225, D16/229, 230, 231, 232, 233, 234; 353/61, 66, 119, 122, DIG. 3, DIG. 4, DIG. 5

[56] References Cited

U.S. PATENT DOCUMENTS

- D. 266,429 10/1982 Overman D16/232
- D. 290,264 6/1987 Overman D16/232
- D. 365,836 1/1996 Hasegawa D16/232
- 3,293,982 12/1966 Appeldom 235/DIG. 4

OTHER PUBLICATIONS

Gallant Overhead Projectors Catalog, p. 5 (Model 88 Projector) Apr. 3, 1968.

Primary Examiner—Philip S. Hyder
Assistant Examiner—Adir Aronovich
Attorney, Agent, or Firm—Finnegan, Henderson, Farabow, Garrett & Dunner, L.L.P.

[57] CLAIM

The ornamental design for a video projector, as shown and described.

DESCRIPTION

FIG. 1 is a front elevational view of a video projector embodying our design;
FIG. 2 is a rear elevational view thereof;
FIG. 3 is a top plan view thereof;
FIG. 4 is a bottom plan view thereof;
FIG. 5 is a left side elevational view thereof;
FIG. 6 is a right side elevational view thereof;
FIG. 7 is a top-right-front perspective view thereof; and,
FIG. 8 is a perspective view thereof, illustrating the handle and control panel of the video projector in an open position.

1 Claim, 8 Drawing Sheets

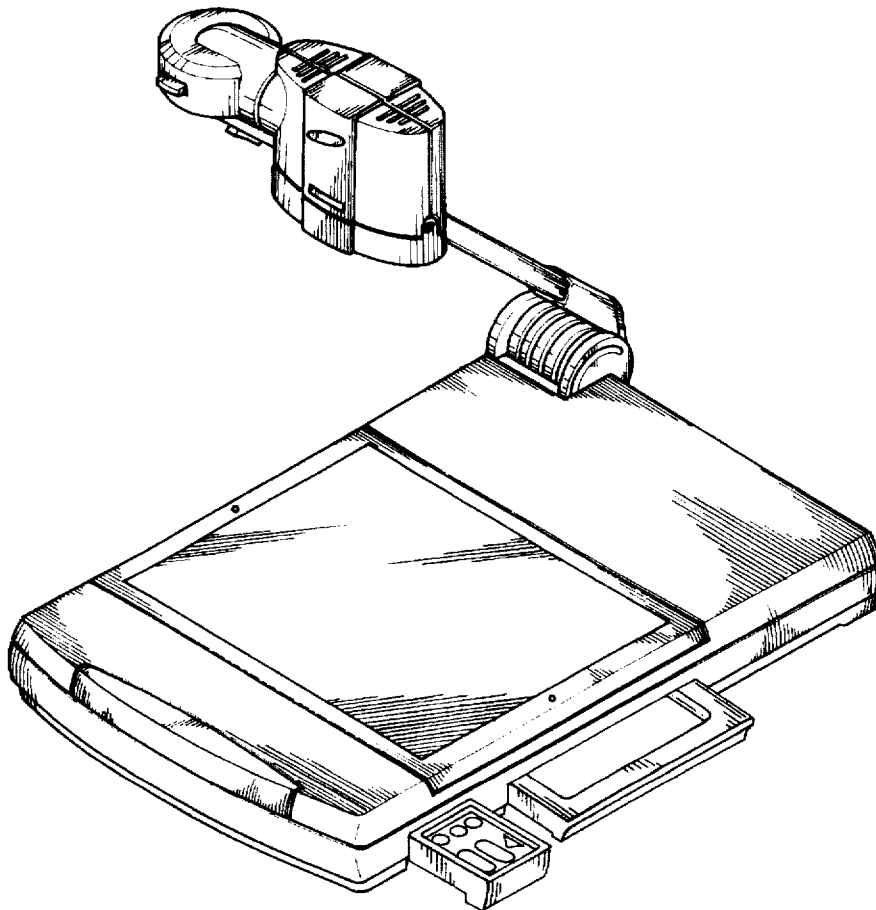


FIG. 1

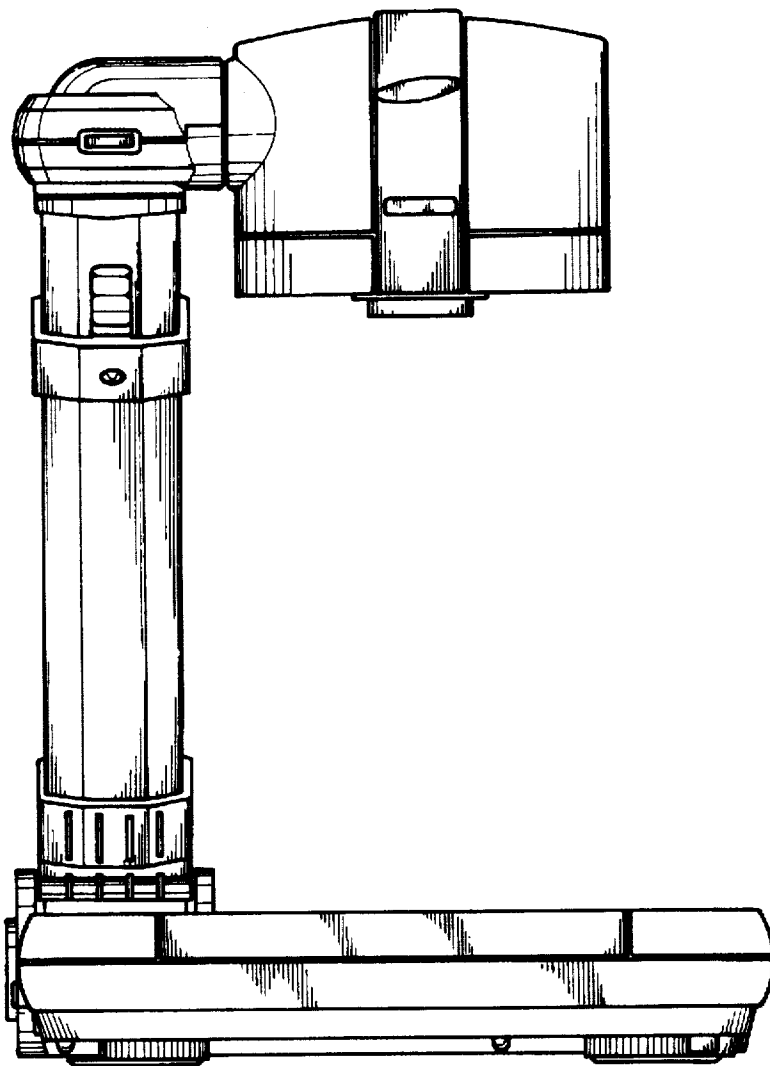


FIG. 2

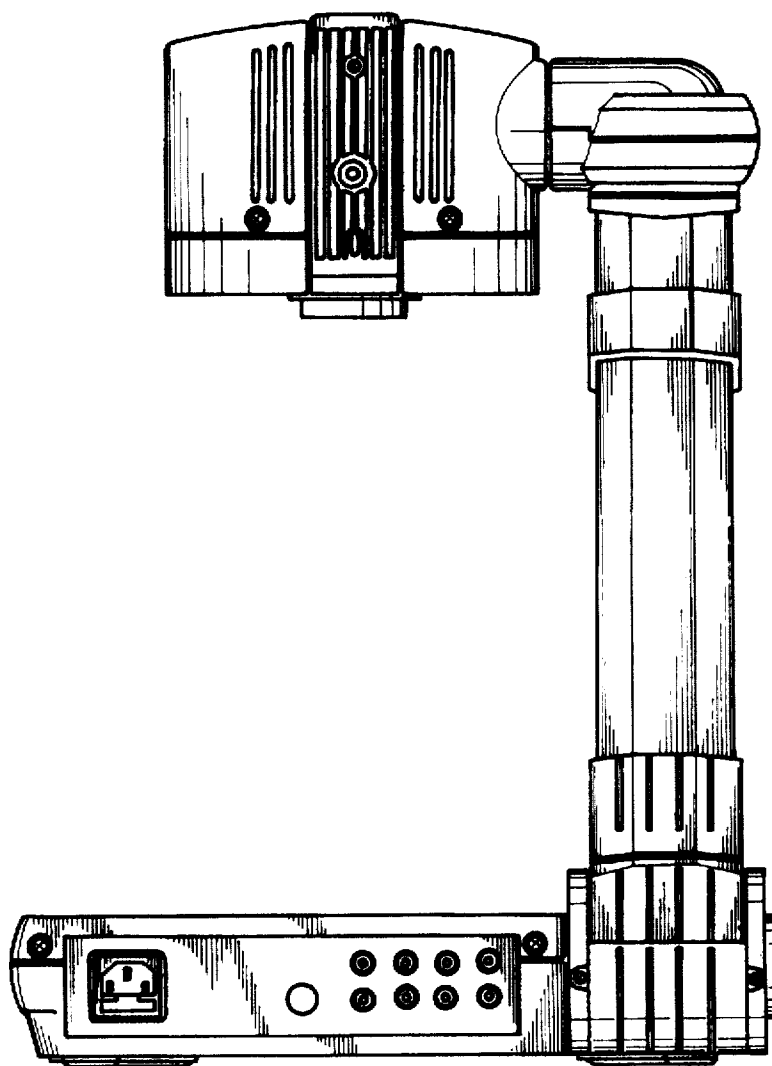


FIG. 3

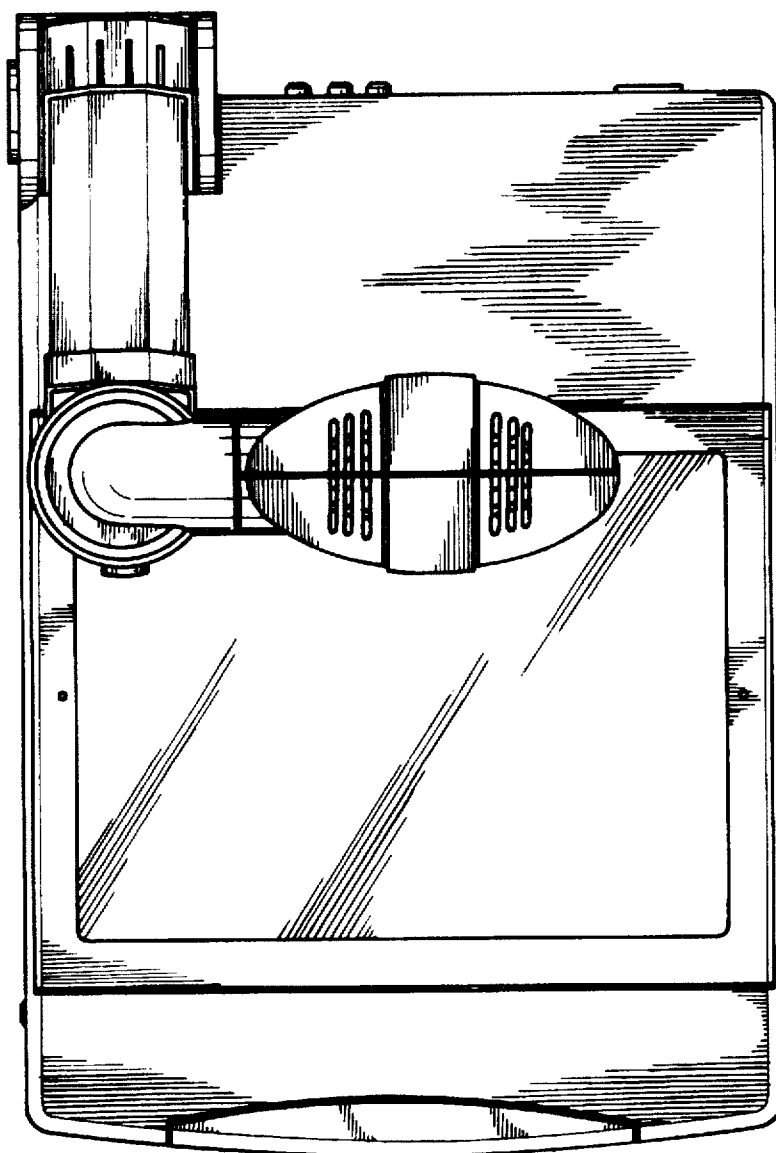


FIG. 4

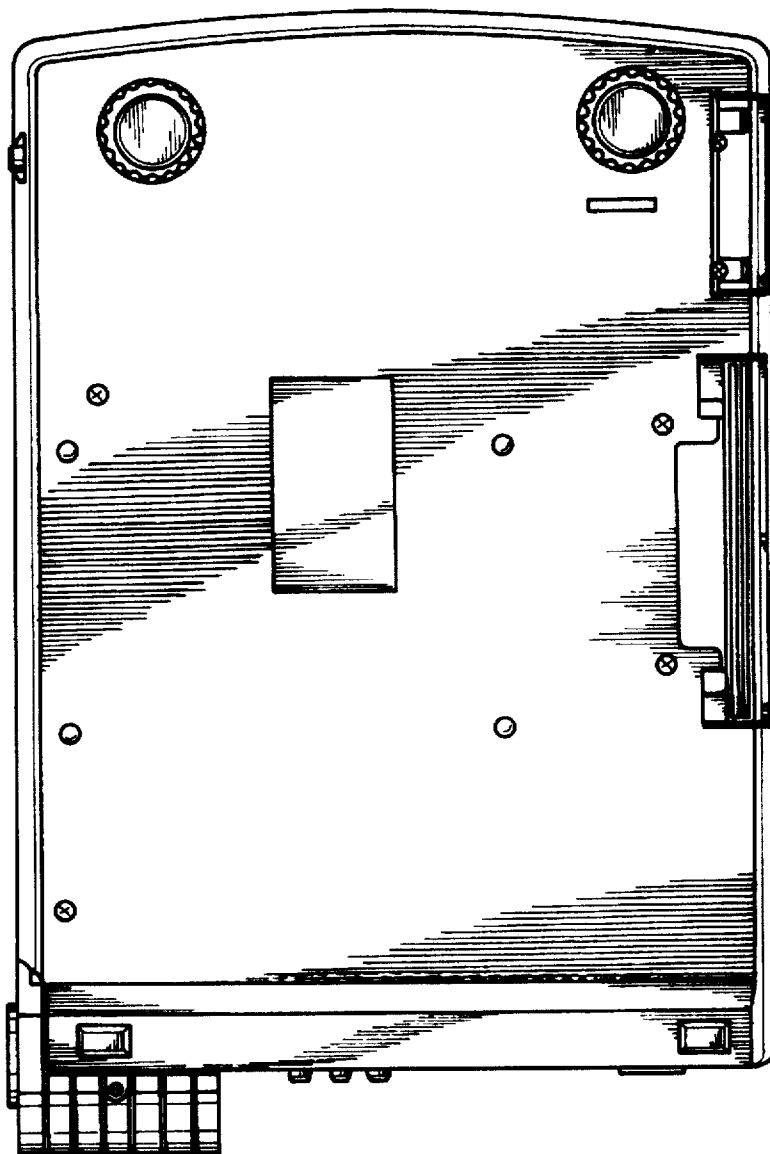


FIG. 5

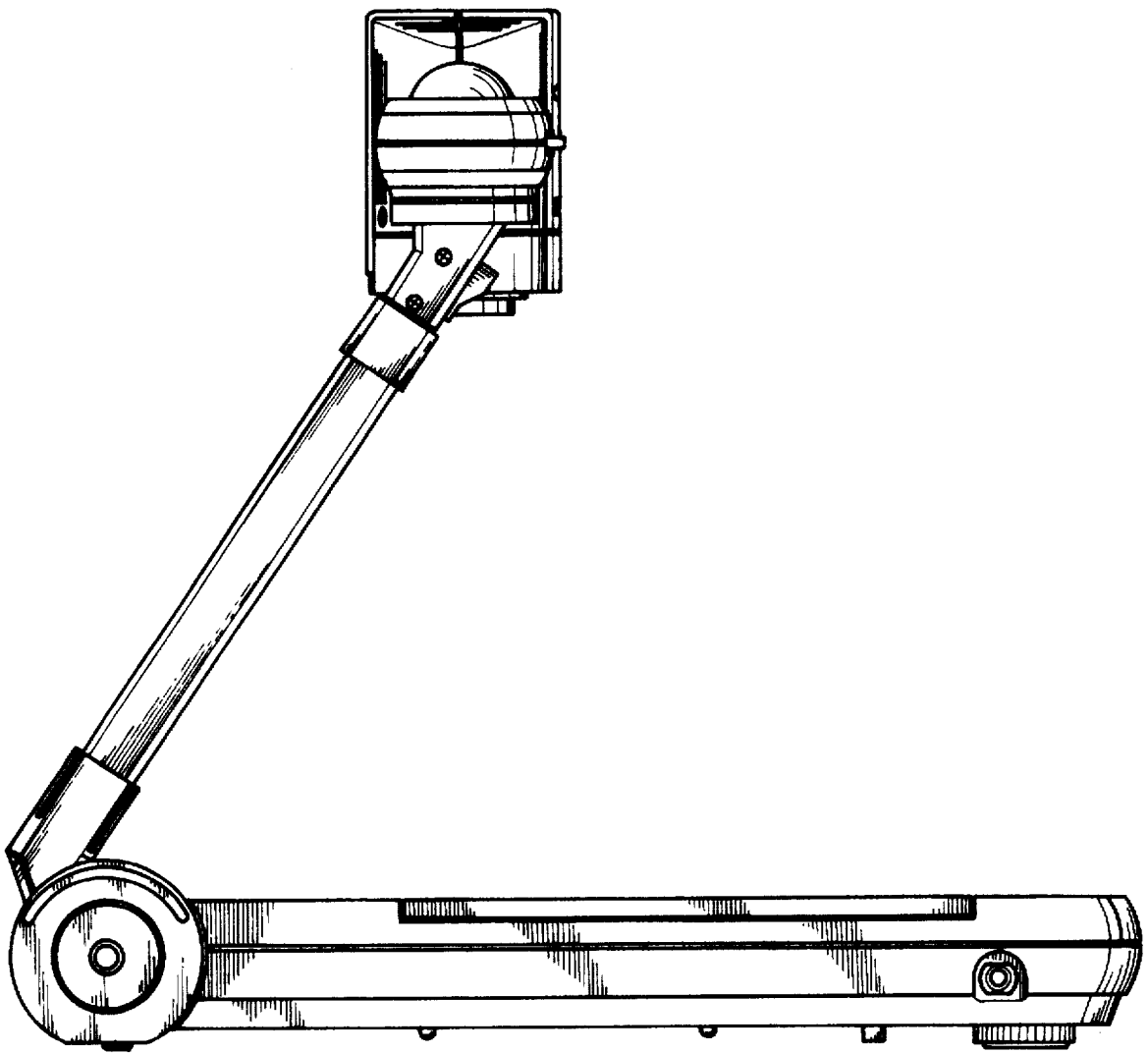


FIG. 6

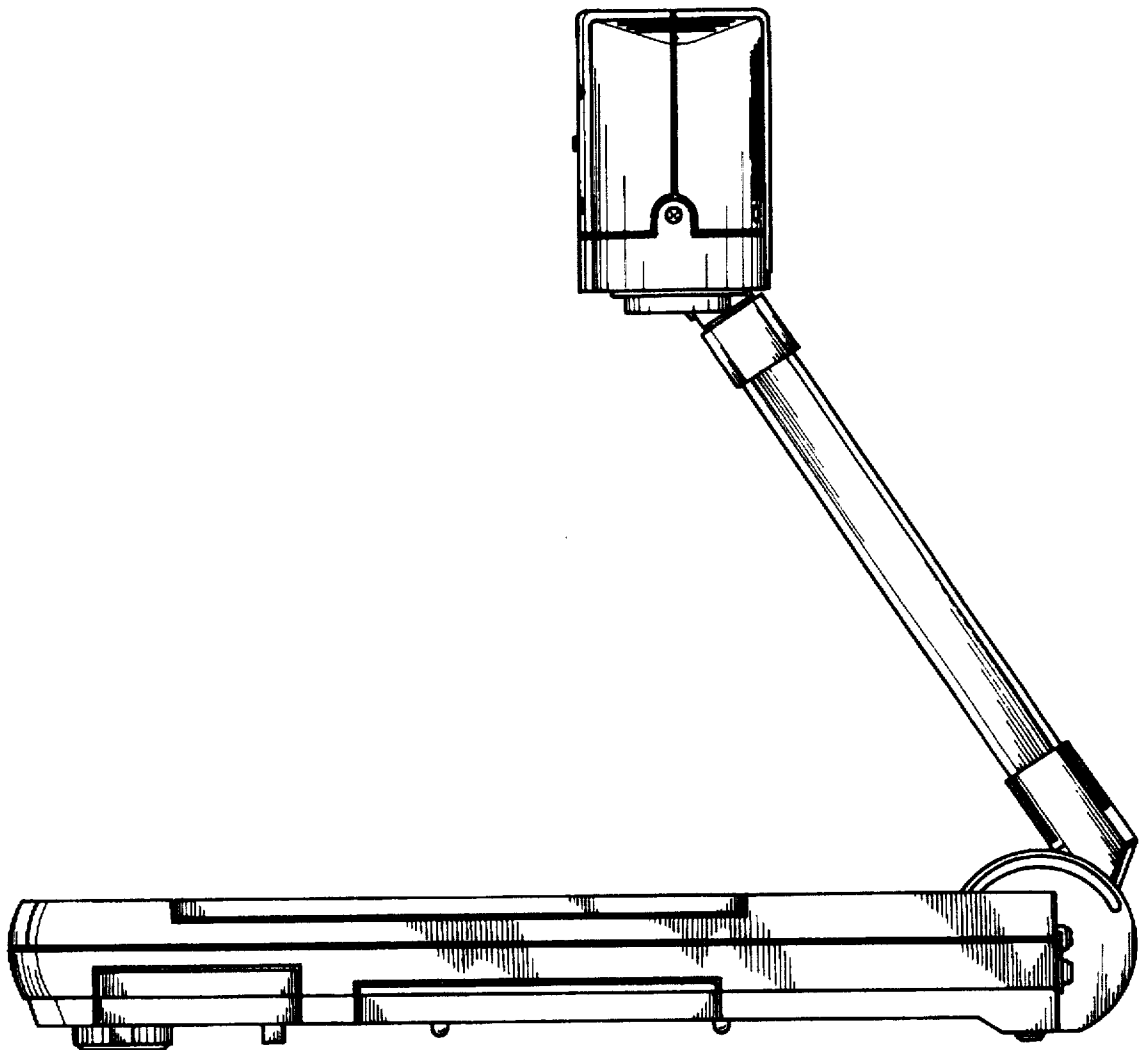


FIG. 7

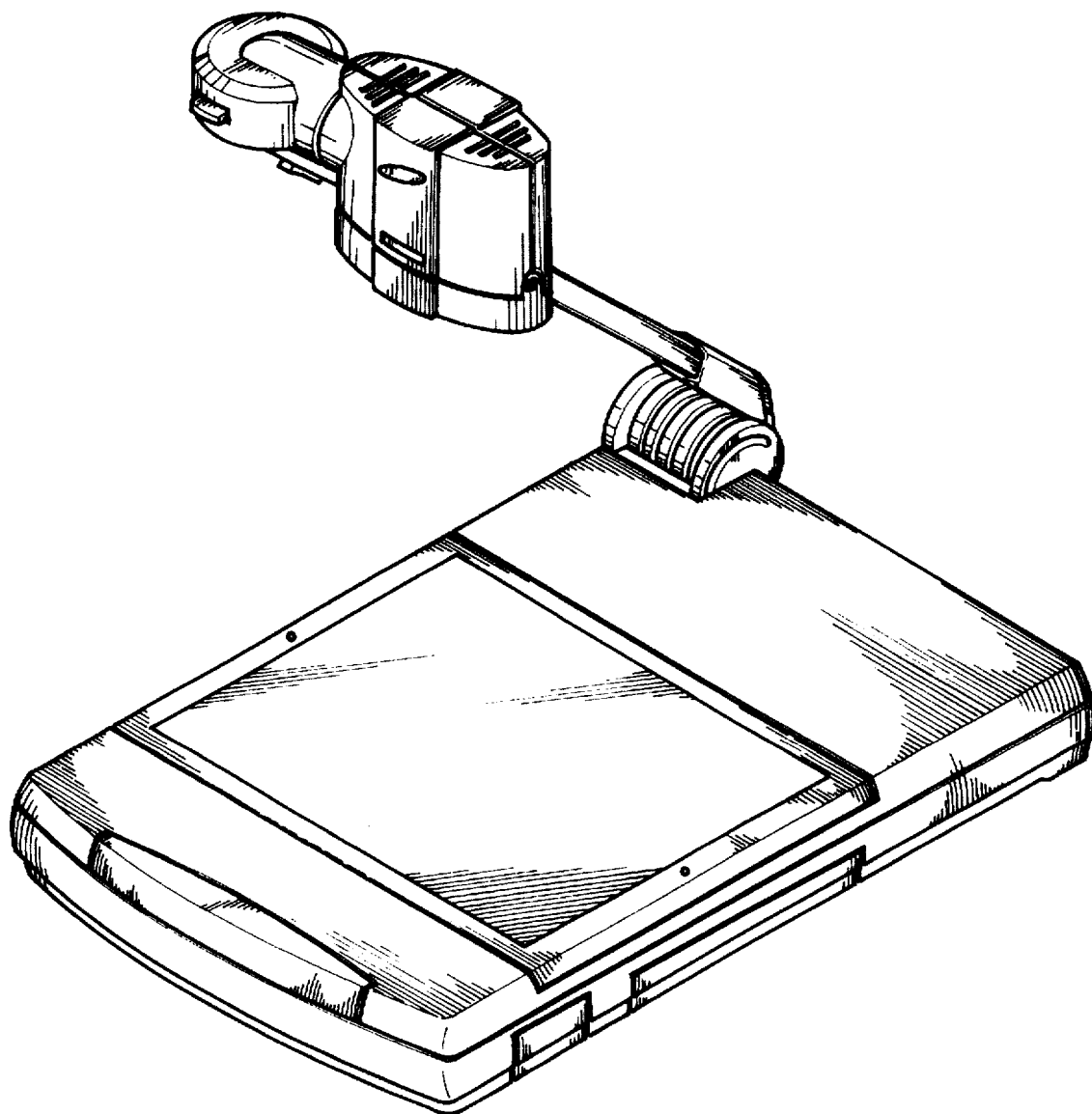
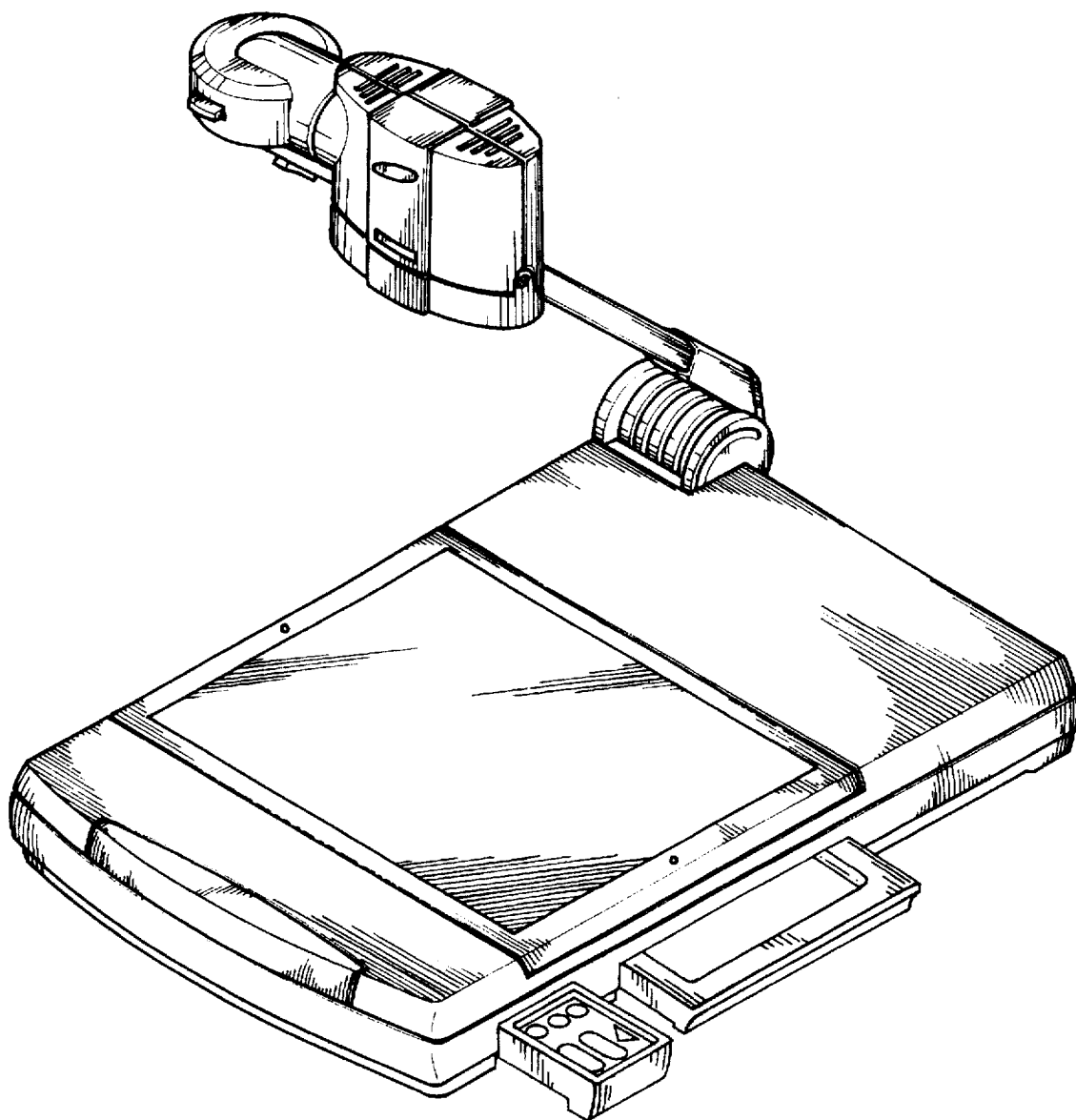


FIG. 8



UNITED STATES PATENT AND TRADEMARK OFFICE
CERTIFICATE OF CORRECTION

PATENT NO. : Des. 397,709
DATED : September 1, 1998
INVENTOR(S) : Hee-Seong PARK et al.

It is certified that error appears in the above-identified patent and that said Letters Patent is hereby corrected as shown below:

Title Page, Col. 1, item [54], in the title, "VIDEO PROJECTOR"
should read --VIDEO PRESENTER--.

Signed and Sealed this
Eighteenth Day of April, 2000

Attest:



Q. TODD DICKINSON

Attesting Officer

Director of Patents and Trademarks