



- (51) International Patent Classification:
B42F 11/02 (2006.01) B42F 1/00 (2006.01)
- (21) International Application Number:
PCT/US2012/026540
- (22) International Filing Date:
24 February 2012 (24.02.2012)
- (25) Filing Language: English
- (26) Publication Language: English
- (30) Priority Data:
PCT/US2011/038647 31 May 2011 (31.05.2011) US
PCT/US2011/038653 31 May 2011 (31.05.2011) US
- (71) Applicant (for all designated States except US): **HEWLETT-PACKARD DEVELOPMENT COMPANY, L.P.** [US/US]; 11445 Compaq Center Drive W., Houston, Texas 77070 (US).
- (72) Inventors; and
- (75) Inventors/Applicants (for US only): **HOARAU, Eric** [US/US]; 1501 Page Mill Road, Palo Alto, California 94304-1100 (US). **PRATTEN, Kimberly Ann** [US/US]; 16399 W Bernardo Drive, San Diego, California 92127-1899 (US). **WATTS, Gary James** [US/US]; 16399 W Bernardo Drive, San Diego, California 92127-1899 (US). **PATTEN, Keely Van** [US/US]; 1070 NE Circle Boulevard, Corvallis, Oregon 97330-4239 (US).
- (74) Agents: **WEBB, Steven L.** et al.; Hewlett-Packard Company, Intellectual Property Administration, 3404 E. Harmony Rd., Mail Stop 35, Fort Collins, Colorado 80528 (US).

- (81) Designated States (unless otherwise indicated, for every kind of national protection available): AE, AG, AL, AM, AO, AT, AU, AZ, BA, BB, BG, BH, BR, BW, BY, BZ, CA, CH, CL, CN, CO, CR, CU, CZ, DE, DK, DM, DO, DZ, EC, EE, EG, ES, FI, GB, GD, GE, GH, GM, GT, HN, HR, HU, ID, IL, IN, IS, JP, KE, KG, KM, KN, KP, KR, KZ, LA, LC, LK, LR, LS, LT, LU, LY, MA, MD, ME, MG, MK, MN, MW, MX, MY, MZ, NA, NG, NI, NO, NZ, OM, PE, PG, PH, PL, PT, QA, RO, RS, RU, RW, SC, SD, SE, SG, SK, SL, SM, ST, SV, SY, TH, TJ, TM, TN, TR, TT, TZ, UA, UG, US, UZ, VC, VN, ZA, ZM, ZW.
- (84) Designated States (unless otherwise indicated, for every kind of regional protection available): ARIPO (BW, GH, GM, KE, LR, LS, MW, MZ, NA, RW, SD, SL, SZ, TZ, UG, ZM, ZW), Eurasian (AM, AZ, BY, KG, KZ, MD, RU, TJ, TM), European (AL, AT, BE, BG, CH, CY, CZ, DE, DK, EE, ES, FI, FR, GB, GR, HR, HU, IE, IS, IT, LT, LU, LV, MC, MK, MT, NL, NO, PL, PT, RO, RS, SE, SI, SK, SM, TR), OAPI (BF, BJ, CF, CG, CI, CM, GA, GN, GQ, GW, ML, MR, NE, SN, TD, TG).

Declarations under Rule 4.17:

- as to the identity of the inventor (Rule 4.17(i))
- as to applicant's entitlement to apply for and be granted a patent (Rule 4.17(ii))

Published:

- with international search report (Art. 21(3))
- before the expiration of the time limit for amending the claims and to be republished in the event of receipt of amendments (Rule 48.2(h))

[Continued on next page]

(54) Title: MEDIA BINDER

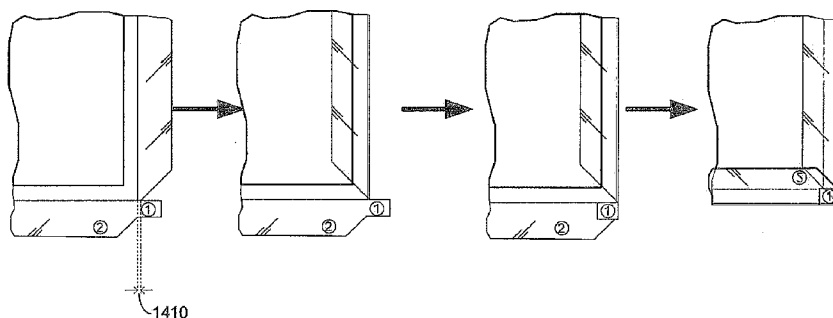


Figure 14A

(57) Abstract: A case assembly of a media binder, comprising: a front surface board and a back surface board, wherein each surface board comprises an inwardly facing surface and an outwardly facing surface; and at least one cover sheet, wherein each cover sheet is wrapped around the outwardly facing surface of at least one surface board, comprises at least one marginal edge attached to the inwardly facing surface of the surface board, and comprises at least one marginal edge unattached to the inwardly facing surface of the surface board, wherein an end of the unattached marginal edge comprises an extra edge extended from the unattached marginal edge, the extra edge is folded against the unattached marginal edge and the unattached marginal edge is attached to the inwardly facing surface of an adjacent surface board to form a corner wrap around a corner of the adjacent surface board.

WO 2012/166220 A3

(88) Date of publication of the international search report:
7 March 2013

A. CLASSIFICATION OF SUBJECT MATTER***B42F 11/02(2006.01)i, B42F 1/00(2006.01)i***

According to International Patent Classification (IPC) or to both national classification and IPC

B. FIELDS SEARCHED

Minimum documentation searched (classification system followed by classification symbols)

B42F 11/02; B42F 1/00

Documentation searched other than minimum documentation to the extent that such documents are included in the fields searched

Korean utility models and applications for utility models

Japanese utility models and applications for utility models

Electronic data base consulted during the international search (name of data base and, where practicable, search terms used)

eKOMPASS(KIPO internal) & Keywords: media, binder, cover, sheet, marginal, edge, attach, unattach and similar terms

C. DOCUMENTS CONSIDERED TO BE RELEVANT

Category*	Citation of document, with indication, where appropriate, of the relevant passages	Relevant to claim No.
A	US 6039494 A (PEARCE, JERRY W.) 21 March 2000 See column 10 lines 11-28 and figures 2, 3.	1-13
A	US 4629349 A (PITTS, WARREN R.) 16 December 1986 See column 2 lines 50-63 and figure 5.	1-13
A	US 5876143 A (ONG, BON S.) 02 March 1999 See column 8 lines 48-59 and figure 3.	1-13
A	US 7823927 B2 (HOARAU, ERIC et al.) 02 November 2010 See column 4 lines 6-11.	1-13

 Further documents are listed in the continuation of Box C. See patent family annex.

* Special categories of cited documents:

"A" document defining the general state of the art which is not considered to be of particular relevance

"E" earlier application or patent but published on or after the international filing date

"L" document which may throw doubts on priority claim(s) or which is cited to establish the publication date of citation or other special reason (as specified)

"O" document referring to an oral disclosure, use, exhibition or other means

"P" document published prior to the international filing date but later than the priority date claimed

"T" later document published after the international filing date or priority date and not in conflict with the application but cited to understand the principle or theory underlying the invention

"X" document of particular relevance; the claimed invention cannot be considered novel or cannot be considered to involve an inventive step when the document is taken alone

"Y" document of particular relevance; the claimed invention cannot be considered to involve an inventive step when the document is combined with one or more other such documents, such combination being obvious to a person skilled in the art

"&" document member of the same patent family

Date of the actual completion of the international search

28 DECEMBER 2012 (28.12.2012)

Date of mailing of the international search report

02 JANUARY 2013 (02.01.2013)

Name and mailing address of the ISA/KR

Korean Intellectual Property Office
189 Cheongsu-ro, Seo-gu, Daejeon Metropolitan
City, 302-701, Republic of Korea

Facsimile No. 82-42-472-7140

Authorized officer

LEE, Eunju

Telephone No. 82-42-481-5469



Box No. II Observations where certain claims were found unsearchable (Continuation of item 2 of first sheet)

This international search report has not been established in respect of certain claims under Article 17(2)(a) for the following reasons:

1. Claims Nos.:
because they relate to subject matter not required to be searched by this Authority, namely:

2. Claims Nos.:
because they relate to parts of the international application that do not comply with the prescribed requirements to such an extent that no meaningful international search can be carried out, specifically:

3. Claims Nos.:
because they are dependent claims and are not drafted in accordance with the second and third sentences of Rule 6.4(a).

Box No. III Observations where unity of invention is lacking (Continuation of item 3 of first sheet)

This International Searching Authority found multiple inventions in this international application, as follows:

Group I: In claims 1-13, the feature about the marginal edge unattached to the inwardly facing surface of the surface board comprises a corresponding special technical feature.

Group II: In claims 14-20, the feature about the binding sheet comprising a component that distributes a bending force on a first region of the binding sheet to a second region of the binding sheet larger than the first region comprises a corresponding special technical feature.

1. As all required additional search fees were timely paid by the applicant, this international search report covers all searchable claims.
2. As all searchable claims could be searched without effort justifying an additional fee, this Authority did not invite payment of any additional fee.
3. As only some of the required additional search fees were timely paid by the applicant, this international search report covers only those claims for which fees were paid, specifically claims Nos.:

4. No required additional search fees were timely paid by the applicant. Consequently, this international search report is restricted to the invention first mentioned in the claims; it is covered by claims Nos.:
1-13

Remark on Protest

- The additional search fees were accompanied by the applicant's protest and, where applicable, the payment of a protest fee.
- The additional search fees were accompanied by the applicant's protest but the applicable protest fee was not paid within the time limit specified in the invitation.
- No protest accompanied the payment of additional search fees.

INTERNATIONAL SEARCH REPORT

Information on patent family members

International application No.

PCT/US2012/026540

Patent document cited in search report	Publication date	Patent family member(s)	Publication date
US 6039494 A	21.03.2000	None	
US 4629349 A	16.12.1986	None	
US 5876143 A	02.03.1999	None	
US 7823927 B2	02.11.2010	CN 101516636 A	26.08.2009
		CN 101547797 A	30.09.2009
		EP 2043878 A2	08.04.2009
		EP 2152523 A1	17.02.2010
		US 2008-0018089 A1	24.01.2008
		US 2008-0018090 A1	24.01.2008
		US 7798736 B2	21.09.2010
		WO 2008-013727 A2	31.01.2008
		WO 2008-013727 A3	31.01.2008
		WO 2008-153806 A1	18.12.2008