



US00D718455S

(12) **United States Design Patent**
Maser et al.

(10) **Patent No.:** **US D718,455 S**
(45) **Date of Patent:** **** Nov. 25, 2014**

(54) **FINGER TIP OXIMETER**
(71) Applicants: **Douglas R. Maser**, Rogers, MN (US);
Nathan L. Schlueter, Bloomington, MN
(US); **Christian Richard Trifilio**, St
Paul, MN (US)
(72) Inventors: **Douglas R. Maser**, Rogers, MN (US);
Nathan L. Schlueter, Bloomington, MN
(US); **Christian Richard Trifilio**, St
Paul, MN (US)

(73) Assignee: **Nonin Medical, Inc.**, Plymouth, MN
(US)

(**) Term: **14 Years**
(21) Appl. No.: **29/445,985**
(22) Filed: **Feb. 19, 2013**

(51) **LOC (10) Cl.** **24-01**
(52) **U.S. Cl.**
USPC **D24/169**

(58) **Field of Classification Search**
CPC . A61B 5/14552; A61B 5/6826; A61B 5/6838
USPC D24/216, 223, 231, 232, 107, 165, 169,
D24/186; D10/81, 46; 422/68.1, 56, 58;
600/323, 324, 340, 344
See application file for complete search history.

(56) **References Cited**

U.S. PATENT DOCUMENTS

D455,834 S * 4/2002 Donars et al. D24/169

D463,561 S * 9/2002 Fukatsu et al. D24/165
D615,655 S * 5/2010 Maser et al. D24/169
D621,516 S * 8/2010 Kiani et al. D24/169
D646,391 S * 10/2011 Ibuki et al. D24/165
D668,340 S * 10/2012 Wang et al. D24/169
D670,388 S * 11/2012 Jin et al. D24/169
D691,726 S * 10/2013 Jin et al. D24/169
2011/0263203 A1 * 10/2011 Parthasarathy et al. 455/41.2

* cited by examiner

Primary Examiner — Anhdao Doan

(74) *Attorney, Agent, or Firm* — Schwegman Lundberg &
Woessner, P.A.

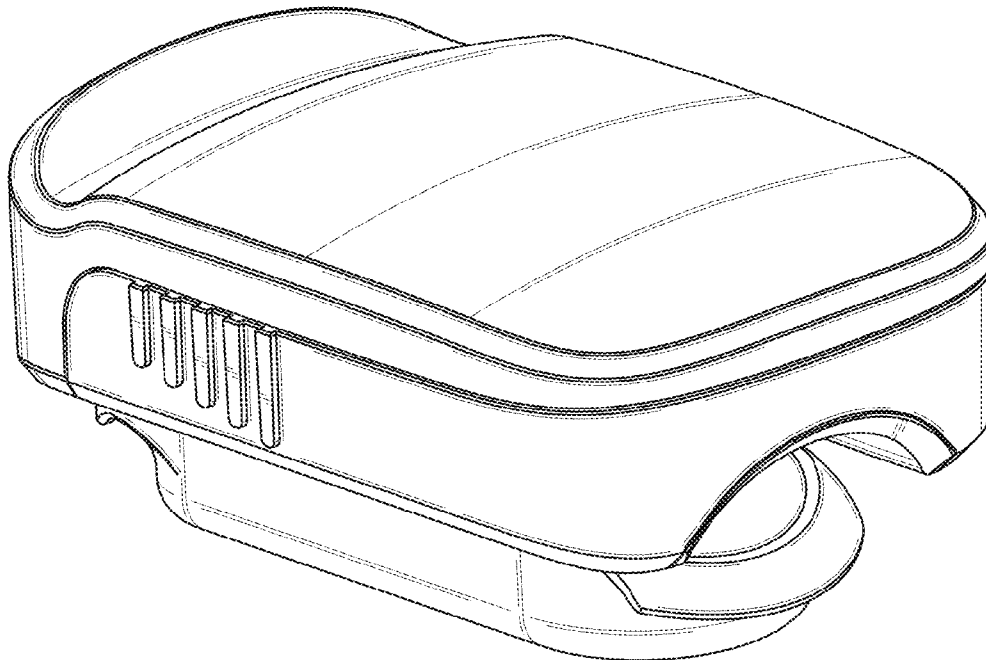
(57) **CLAIM**

The ornamental design for a finger tip oximeter, as shown and
described.

DESCRIPTION

FIG. 1 is a perspective view of a finger tip oximeter showing
our new design;
FIG. 2 is a right side view thereof;
FIG. 3 is a left side view thereof;
FIG. 4 is a top view thereof;
FIG. 5 is a bottom view thereof;
FIG. 6 is a front view thereof; and,
FIG. 7 is a rear view thereof.
The portions of the finger tip oximeter shown in broken lines
form no part of the claimed design.

1 Claim, 6 Drawing Sheets



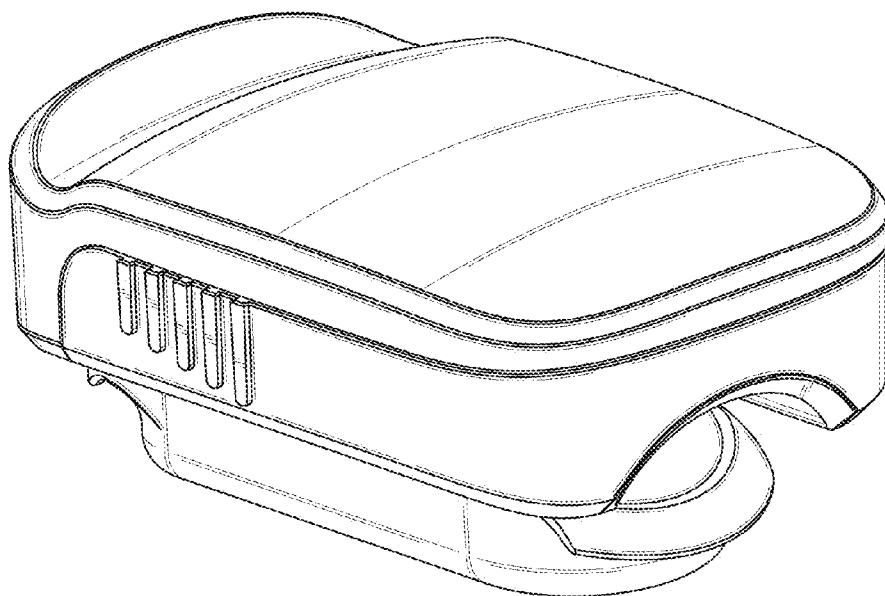


FIG. 1

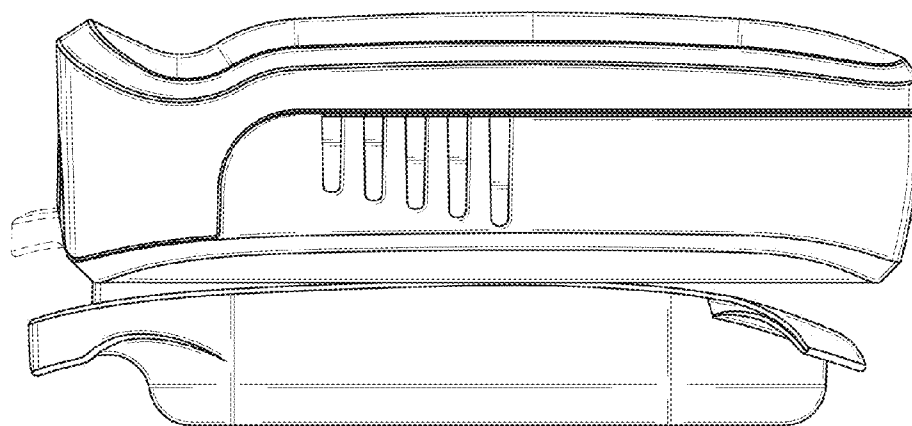


FIG. 2

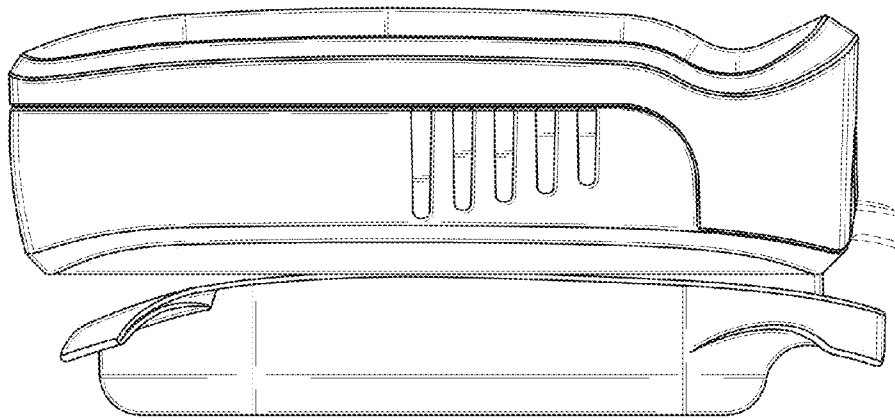


FIG. 3

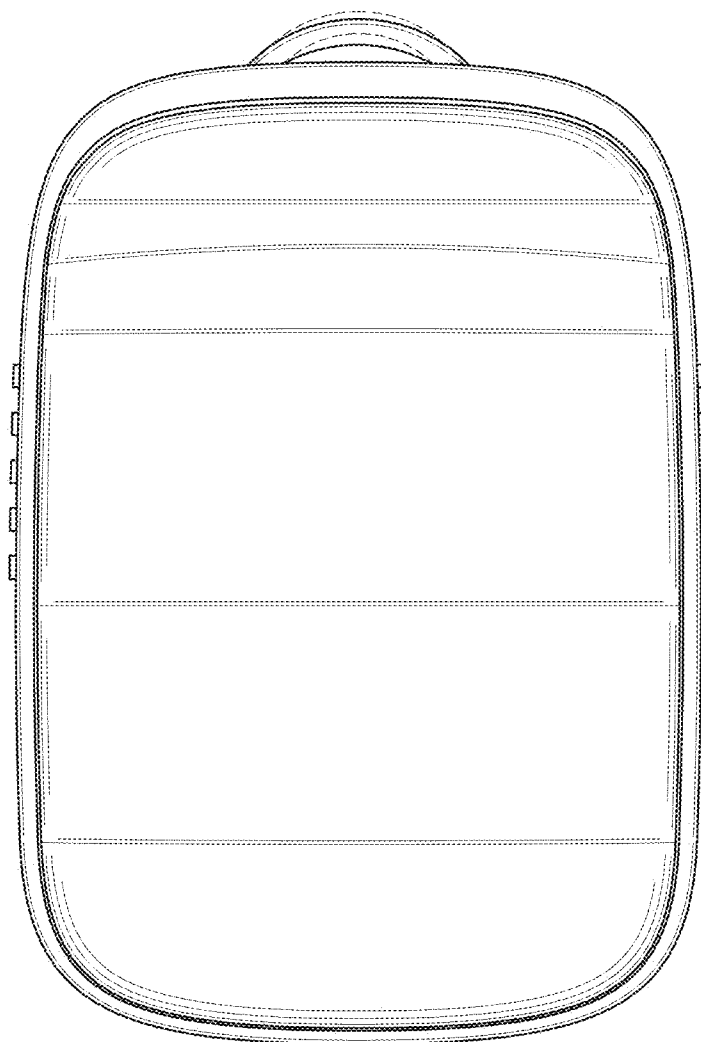


FIG. 4

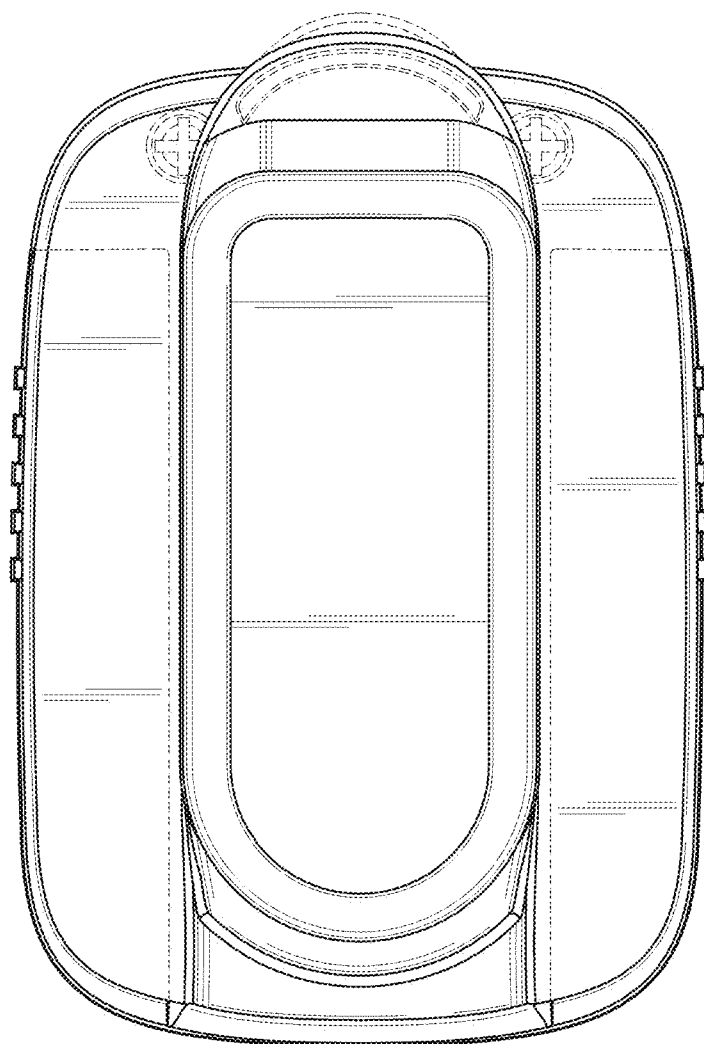


FIG. 5

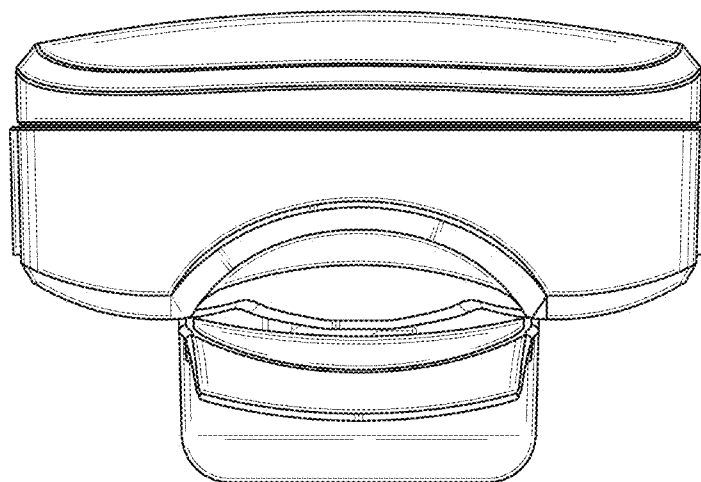


FIG. 6

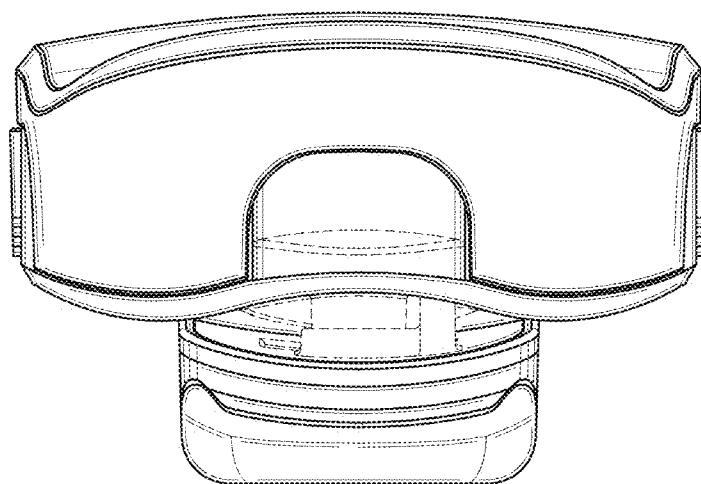


FIG. 7