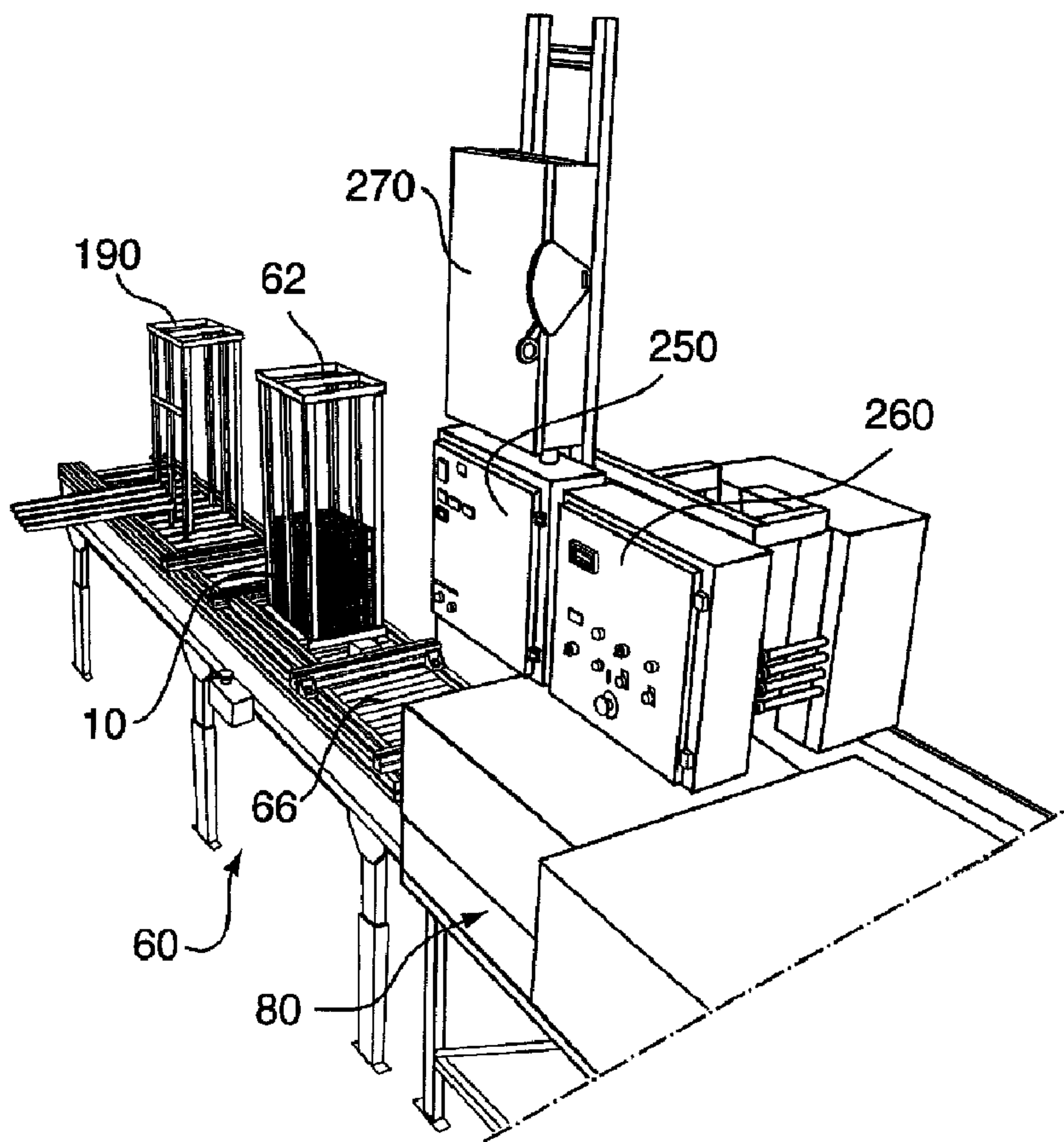




(22) Date de dépôt/Filing Date: 2009/02/26  
 (41) Mise à la disp. pub./Open to Public Insp.: 2009/08/26  
 (45) Date de délivrance/Issue Date: 2011/09/13  
 (30) Priorité/Priority: 2008/02/26 (US61/031,398)

(51) Cl.Int./Int.Cl. *B65B 51/02* (2006.01),  
*B41F 17/00* (2006.01), *B65D 75/36* (2006.01),  
*B65G 59/04* (2006.01), *B65H 3/08* (2006.01)  
 (72) Inventeurs/Inventors:  
 MARKS, PAUL, CA;  
 MARKIEWICZ, MICHAEL J., CA  
 (73) Propriétaire/Owner:  
 INDSALE LIMITED, CA  
 (74) Agent: MOFFAT & CO.

(54) Titre : ENSEMBLE D'EMBALLAGE BLISTER, ET PROCEDE ET INSTALLATION DE PRODUCTION  
 (54) Title: BLISTER PACKAGE ASSEMBLY AND METHOD AND SYSTEM FOR MANUFACTURING THE SAME



(57) Abrégé/Abstract:

A system and method for providing adhesive to a pre-formed blister tray having shoulders and recesses between the shoulders, the system having at least one pallet, each pallet of the at least one pallet having with holes to accommodate recesses within the blister

(57) **Abrégé(suite)/Abstract(continued):**

tray and support for the shoulders of the blister tray; a pallet loading station for loading the pallet with the pre-formed blister tray; a printer unit for printing adhesive to the shoulders of the blister tray; a drying station for drying the adhesive; and an unloading station for unloading blister trays with adhesive printed on the shoulders thereof. Further a pallet for use in the system.

**ABSTRACT**

A system and method for providing adhesive to a pre-formed blister tray having shoulders and recesses between the shoulders, the system having at least one pallet, each pallet of the  
5 at least one pallet having with holes to accommodate recesses within the blister tray and support for the shoulders of the blister tray; a pallet loading station for loading the pallet with the pre-formed blister tray; a printer unit for printing adhesive to the shoulders of the blister tray; a drying station for drying the adhesive; and an unloading station for unloading blister trays with adhesive printed on the shoulders thereof. Further a pallet for use in the system.

## **BLISTER PACKAGE ASSEMBLY AND METHOD AND SYSTEM FOR MANUFACTURING THE SAME**

### **5 FIELD OF THE DISCLOSURE**

**[001]**The present disclosure relates to blister packaging and methods and systems for making the same, and in particular to blister packaging for use with cohesive pressure sealing techniques.

### **10 BACKGROUND**

**[002]**Blister packages are used for a variety of purposes including packaging of small items such as pharmaceuticals, electronics, contact lenses, among others. These packages typically consist of a blister tray having a recessed portion and shoulder portions, and a lidding sheet that is adhered to the blister tray portion. In some cases, an intermediary  
**15** adhesive sheet is also included between the lidding sheet and the blister sheet.

**[003]**In various applications, the lidding sheet is provided with an adhesive in order to adhere to the blister tray. This, however, is problematic when the lidding sheet also needs to be capable of being printed on. Running a lidding sheet through a printer, where the lidding  
**20** sheet includes an adhesive, could jam the printer or could ruin the printer by leaving adhesive within the printer. Alternatives to this include: providing a layer over the adhesive, which can be peeled away prior to the adhesion of the blister tray to the lidding sheet. However, this results in a very thick lidding sheet that makes it difficult to access the blister. In order to facilitate access to the blister container, perforations are often added to the lidding  
**25** sheet, which could result in the loss of a hermetic seal for some applications.

**[004]**Other options include the adding of an adhesive to the blister tray itself and having a cohesive bond between the blister tray and a lidding sheet. An example is US patent no. 5,014,851 to Wick. Wick discloses the addition of a cohesive to the blister tray either prior to  
**30** or after the formation of the blister recesses. In the case of adding a cohesive prior to the formation of the blister recesses, a problem with Wick is that the cohesive could affect the transparency of the blister recess when the blister is formed. Further a problem with having the cohesive within the blister recess area is that it could contaminate the product within the blister recess.

**[005]**Conversely, in Wick, if the coating is applied after the formation of blister, no system is presented for this. If the process of adding an adhesive through rollers is used on the formed package, the problem with Wick is that a non-uniform coating of adhesive is applied to the shoulders of the blister tray since the blister tray is not completely rigid, thus potentially causing non-uniformity of coating and areas of non-coated shoulders. Further, the cohesive could also leak into the blister recess area under this system.

#### **SUMMARY**

**[006]**The present disclosure overcomes the disadvantages of the prior art providing a system in which a cohesive is printed onto shoulder portions of a blister tray. In particular, a blister tray is inserted into a pallet, thereby providing reinforcement to the blister tray for proceeding through a process in which cohesive can be applied to the shoulder portion only of the blister tray.

15

**[007]**In the present disclosure, a print coded foil backed paper is preferably used as a lidding sheet and the adhesive selected for the blister tray is adapted to provide a cohesive bond with a coating with a high affinity for the cohesive or pressure sensitive adhesive on the print coated foiled paper.

20

**[008]**In a further embodiment of the present disclosure, a release coat can be applied to a pallet prior to a blister tray being inserted therein, thereby providing for a release coat on a side of the blister tray to allow stacking of the blister tray for transportation to the customer and subsequent ease of separation.

25

**[009]**A method and system utilizing a pallet to transport a formed blister to add an adhesive layer is provided. These and other embodiments will be described in more detail below with reference to the drawings.

30

**[0010]**The present disclosure therefore provides a system for providing adhesive to a pre-formed blister tray having shoulders and recesses between said shoulders, the system comprising: at least one pallet, each pallet of the at least one pallet having with holes to accommodate recesses within the blister tray and support for the shoulders of the blister tray; a pallet loading station for loading the pallet with the pre-formed blister tray; a printer unit for

printing adhesive to the shoulders of the blister tray; a drying station for drying the adhesive; and an unloading station for unloading blister trays with adhesive printed on the shoulders thereof.

5 **[0011]** The present disclosure further provides a method for printing onto a shoulder area of a blister tray, the blister tray comprising the shoulder area and recesses there between, the method comprising: inserting the blister tray into a pallet configured to support the shoulders of the blister tray; printing an adhesive onto the shoulder area of the blister tray; drying the adhesive; and removing the blister tray from the pallet.

10

**[0012]** The present disclosure further provides a method for printing onto a shoulder area of a blister tray, the blister tray comprising the shoulder area and recesses there between, the method comprising: inserting the blister tray into a pallet configured to support the shoulders of the blister tray; printing an adhesive onto the shoulder area of the blister tray; drying the adhesive; and removing the blister tray from the pallet.

15

### **BRIEF DESCRIPTION OF THE DRAWINGS**

**[0013]** The present disclosure will be better understood with reference to the drawings in which:

20

**Figure 1** is a front perspective view of a typical blister tray;

**Figure 2** is a front perspective view of a typical blister tray having an adhesive applied to the shoulders thereof;

**Figure 3** is a front perspective of a lidding sheet;

25

**Figure 4** is a top plan view of a pallet;

**Figure 5** is a front perspective view of a pallet stopped at a transfer station;

**Figure 6** is a front perspective view of a portion of a coating line showing a pallet loader and a printing unit;

**Figure 7** is a front perspective view of a loading unit;

30

**Figure 8** is a front perspective view of a pneumatic blister tray loading apparatus;

**Figure 9** is a front perspective view showing sensor's for detecting whether a blister tray has been loaded;

**Figure 10** is a front perspective view of the printing unit;

**Figure 11** is a top perspective view of a coating head;  
**Figure 12** is a front perspective view of a coating head;  
**Figure 13** is a front perspective view of a deflection gauge;  
**Figure 14** is a perspective view of three drying units;  
5 **Figure 15** is a front perspective view of conveyer system in which a pallet changes orientation of travel;  
**Figure 16** is a perspective view of the coating line;  
**Figure 17** is a top perspective view of a pallet unloading station; and  
10 **Figure 18** is a side perspective view of a pallet unloading station in which blister trays are being unloaded from the coating line.

#### DETAILED DESCRIPTION

15 **[0014]**Reference is now made to **Figure 1**. **Figure 1** illustrates an exemplary blister tray **10** for use with the present systems and methods.

**[0015]**Blister tray **10** comprises a clear plastic sheet adaptable to be formed into a series of recesses **14** between shoulders **12**. As will be appreciated by those skilled in the art, recesses **14** can form a uniform pattern throughout the blister tray **10**, as seen in **Figure 1**, or can be formed of various sizes and configurations. The present disclosure is not meant to be
20 limited to any particular number or configurations of recesses **14**.

**[0016]**In the example of **Figure 1**, perforations **16** can be provided between recesses **14** thereby providing the ability to tear-away a particular recess portion from the remainder of blister tray **10**.

25 **[0017]**The clear plastic sheet of blister tray **10** can be formed of any suitable transparent thermoplastic polymer and examples include: polyvinyl chloride or polyethyleneterephthalate. Such a thermoplastic polymer can be thermoformed or die molded to form recesses **14**.

30 **[0018]**As illustrated in **Figure 1**, shoulders **12** form a substantially planar surface.

**[0019]**Reference is now made to **Figure 2**. **Figure 2** shows a blister tray **20** similar to that of blister tray **10** of **Figure 1**. In **Figure 2**, an adhesive **22** has been applied to shoulders **24** utilizing a printing process described in detail below. As illustrated in **Figure 2**, recesses **26**

are avoided with the printing process for adhesive **22** thereby preventing contamination of recesses **26** with the adhesive **22**. Suitable adhesives include cohesives and pressure sensitive adhesives.

5 **[0020]**As is described below, adhesive **22** is adapted to cohesively bind to a lidding sheet. In particular, in one embodiment, the lidding sheet is formed of a print coated foil backed paper having a cohesive on the foil. The adhesive is adapted to cohesively bind to the cohesive. Other liddings, however, would be known to those skilled in the art in the present disclosure is not meant to be limited by a particular lidding sheet. The lidding can be supplied in sheet  
10 or roll form.

**[0021]**Reference is now made to **Figure 3**. **Figure 3** shows one embodiment of a lidding sheet adapted to be bonded to the blister tray of **Figures 1** or **2**. As shown in **Figure 3** lidding sheet **30** includes a foil surface **32** a printing surface **34** and may include a cohesive  
15 layer on surface **32**.

**[0022]**Foil surface **32** is either provided with a coating with a high affinity for the cohesive or pressure sensitive adhesive, which is inert and has no adhesive properties on its own or with a co-adhesive coating that adheres to its respective co-adhesive. Such coatings include any  
20 high energy polymer such as an acrylic that is not affected by the heat properties of a typical printer. Other coatings would be known to those in the art.

**[0023]**Printing surface **34** is adapted to receive printing. For example, lidding sheet **30** could be sent through a standard printer thus allowing the printing of information on printing  
25 surface **34** to be customized for the particular application of the blister packaging, or even individualized for a particular user.

**[0024]**As will be appreciated by those skilled in the art, by having a lidding sheet **30** without any adhesive on it, transfer of adhesive to a printer is avoided.  
30

**[0025]**In alternative embodiments, instead of a lidding sheet **30**, a roll could be utilized having similar properties. Further in similar situations, a printing surface **34** could be avoided if printing is not required.

[0026]The lidding sheet 30 is preferably made of a thin material that prevents moisture and air from entering into recesses 14 or 26 from Figures 1 or 2.

5 [0027]In operation, the blister tray 10 of Figure 1 can be combined with lidding 30 of Figure 3. In particular, the entity that is filling blister tray 20 could fill recesses 14 with the desired materials, such as pharmaceuticals, electronics, contact lenses, among others, and then place lidding sheet 30 from Figure 3 onto blister tray 20 such that foil surface 32 comes into contact with shoulders 24. Light pressure on lidding 30 causes a cohesive bond in time between the lacquer on foil surface 32 and an adhesive 22 from Figure 2.

10

[0028]Prior to the placing of lidding 30 onto blister tray 20 the entity filling the blister tray 20 could place lidding 30 through a printer in order to customize information for an end user. As illustrated above, the combination of lidding 30 with blister tray 20 creates hermetically sealed recesses 26 in which materials are protected from air or water contamination.

15 Further, by avoiding adhesive within recess 26, the material placed within recess 26 is not contaminated by the adhesive 22, nor is the blister tray 20 damaged. As will be appreciated by those skilled in the art, having adhesive 22 within recess 26 could cause contamination problems, but also problems with the opaqueness of recess 26. This could be critical, for example, in pharmaceutical applications where it is important that an end user be able to see  
20 the medications within blister tray 20.

[0029]As will further be appreciated, by having a thin lidding sheet 30 access is facilitated to recess 26. By avoiding having a thick lidding surface 30, access techniques such as perforations are not required. Perforations could cause loss of hermetic seals, which could  
25 affect the contents of recess 26.

[0030]The above blister tray with an adhesive printed on the shoulder portion only can be formed in accordance with a method and system as described in reference to Figures 4 to 18 below. The process and methods of Figures 4 to 18 are meant to be examples only and  
30 can be varied based on the requirements of the blister tray application.

[0031]Reference is now made to Figure 4. Figure 4 illustrates a pallet adapted to be used in accordance with one embodiment of the present disclosure.

[0032]A pallet 40 is, in the embodiments of Figure 4, a substantially rectangular tray dimensioned to fit on a conveyer system as described below.

5 [0033]In the embodiment of Figure 4, two receptacle portions 42 are provided. Each receptacle portion 42 has a series of holes 44 configured to accommodate a recess of a blister tray, such as recess 14 of blister tray 10 of Figure 1. Hole 44 is, one embodiment, of uniform circumference throughout the depth of pallet 40.

10 [0034]A proud area 46 is provided on the surface of the pallet 40 and adapted to rest under a blister tray when a blister tray is inserted into receptacle portion 42.

[0035]A sensor element such as a metal plate 48 can be provided on pallet 40 to provide an indication when pallet 40 is correctly positioned. However, in other embodiments other position sensing means could be utilized beside a metal plate 48.

15

[0036]Reference is now made to Figure 5. Figure 5 shows pallet 40 from Figure 4 with a blister tray 50 inserted such that blisters are within each receptacle portion 42. As illustrated, a sensor 54 is adapted to sense metal plate 48 to stop pallet 40 in the correct position in order to load blister tray 50.

20

[0037]The use of a pallet 40 to support a blister tray 50 provides various advantages. Pressure can be applied to blister tray 50 without blister tray 50 deforming, thereby enabling the printing of an adhesive onto the shoulders of blister tray 50. Further, as described in more detail below, the use of a top coating 46 that has proud surface allows for the addition  
25 of a release coat to the lower surface of the blister tray 50.

25

[0038]A machine adapted to utilize pallet 40 is illustrated with reference to Figure 6. Figure 6 illustrates an adhesive application line 60 having a blister tray loader 62. Blister tray loader 62 is illustrated with reference to Figures 7 and 8 below.

30

[0039]With reference to Figure 7, blister tray loader 62 contains a tray hopper 64. If pallet 40 is used then, as illustrated in Figure 7, tray hopper 64 has two hoppers adjacent to each other in order to load blister trays into both receptacle portions 42. However, as will be appreciated by those skilled in the art, this configuration is not meant to be limiting and other

configurations could be adapted to specific uses. For example, four receptacle portions could exist within a pallet 40 and in this case, blister tray hopper 64 would include four portions to store blister trays.

5 [0040]As will further be appreciated by those skilled in the art, the blister trays in hopper 64 are uncoated, preformed blister trays such as blister trays 10 from Figure 1.

[0041]In operation, a pallet 40 is conveyed along conveyer 66 until a sensor 54 (seen in Figure 5) senses that the pallet 40 is in the correct position. At this point, conveyer 66 stops.

10

[0042]Reference is now made to Figure 8. In Figure 8 suction heads 70 are projected upward through holes 44 in pallet 40. As illustrated, suction heads 70 are able to apply a pneumatic suction force to a blister tray. Once such a connection has been made, suction heads 70 retract, pulling a blister tray into position within receptacle 42.

15

[0043]In operation, in one embodiment suction heads 70 will exist for both receptacle portions 42 in pallet 40. However in alternative arrangements pallet 40 could be advanced after loading a first blister tray 10 in order to load additional blister trays 10.

20

[0044]In one embodiment, blister trays 10 include a space formed by a ridge on recess 14. In this embodiment, a barrier could be inserted within the gap between blister trays 10 during the loading of blister trays 10 into receptacle 42 of pallet 40. As will be appreciated, if the barrier is placed between the bottom blister tray and the second last blister tray this will prevent more than one blister tray from being loaded into a pallet 40. Such a mechanism is

25

[0045]Referring again to Figure 6, pallet 40 then is conveyed along conveyer 66 into printing unit 80. Prior to entering printing unit 80, a conveyer 66 could include sensors for ensuring that blister tray 10 was properly loaded into pallet 40. Reference is now made to Figure 9.

30

[0046]In Figure 9, conveyer 66 includes sensors 82 and 84 adapted to sense whether a pallet 40 has properly been loaded with a blister tray 10. In one embodiment, sensors 82 and 84 are photoelectric switches that will detect whether there is a blister tray 10 in place.

[0047]In one embodiment, sensors 82 and 84 are located such that the pallet 40 stops directly over these sensors when a further pallet is being loaded under hopper 62 from Figure 7.

5 [0048]Reference is now made to Figure 10. Figure 10 illustrates one embodiment of a printing unit 80. In particular, gravure printing unit 80 comprises an initial section 88 and a section 90 containing the coating head. Referring to Figures 11 and 12, coating head 100 is shown from the top and front. Coating head 100 comprises an application roller 102 adapted to be coated with an adhesive and further adapted to apply the adhesive to a blister tray 10.

10

[0049]An adhesive applicator 104 is shown in an open position. In operation, adhesive applicator 104 is closed. As shown in Figure 12 inlet 110 is provided to allow adhesive to be applied to roller 102 and an outlet 112 is provided to receive excess adhesive fluid.

15 [0050]Referring again to Figure 11, a gauge 120 is adapted to determine the height of a pallet and a blister tray, allowing adjustment of the appropriate height of the roller 102 utilizing a handle 124.

20 [0051]In Figure 13 gauge 120 and handle 124 are shown in more detail with a pallet 40 and a blister tray 10 proceeding into the coating head 100.

25 [0052]As will be appreciated by those skilled in the art, the use of a roller 102 to apply pressure to a pallet 40 and a blister tray 10 allows for coating of the shoulders only. Excess adhesive does not need to be put on to a roller 102 and thus contamination into a recess 14 from Figure 1 does not occur.

[0053]In other embodiments, various types of printers can be utilized, including but not limited to: gravure, flexo, offset, knife over roll, air-knife, reverse gravure, among others.

30 [0054]Once the adhesive has been applied to the shoulders of a blister tray 20 then the blister tray next proceeds to heating and drying unit. Reference is now made to Figure 14. Figure 14 illustrates a perspective view of the various heating and drying units in the embodiment of the present disclosure.

[0055]In **Figure 14** a pallet **40** (from **Figure 4**) enters a first straight oven **140**, which comprises an initial infrared heating portion.

5 [0056]At corner **142** a pallet **40** switches direction of travel. Reference is now made to **Figure 15**. **Figure 15** shows corner **142** with the cover removed. As seen in **Figure 15** pallet **40** with blister tray **20** has emerged from first straight oven **140** and has come to the end of conveyer **66**.

10 [0057]At this point, pallet **40** is moved to conveyer **150** and proceeds to radius oven **160** as shown from **Figure 14**.

[0058]As will be appreciated by those skilled in the art, conveyer **150** conveys pallet **40** in the other dimension of pallet **40**, thereby allowing pallet **40** to proceed more slowly through radius oven **160**. In particular, pallet **40** has a longer dimension to travel along conveyer **66** and a shorter dimension traveling along conveyer **150**. This allows a longer drying time in radius oven **160**.

[0059]Referring again to **Figure 14**, once pallet **40** emerges from radius oven **160** it proceeds through a further straight oven **170** to complete the drying process.

20

[0060]In one embodiment, ovens **140**, **160** and **170** provide for infrared heating of adhesive on blister tray **20** and further provide for the movement of air over blister tray **20** to facilitate the drying of adhesive **22**.

25 [0061]Referring to **Figure 16**, once pallet **40** (not shown) emerges from straight oven **170** it is conveyed back to a corner **180** to provide for a change of direction of the pallet. The pallet is then conveyed under unloading unit **190** to unload the coated blister trays **20**. Unloading unit **190** includes hoppers **192** to store coated blister trays **20**.

30 [0062]Reference is now made to **Figure 17**. **Figure 17** shows a front perspective view of unloading unit **190** showing a blister tray being pushed into hopper **192**. This is accomplished utilizing lift rods **194** as seen through blister tray **20**.

**[0063]**Hinges **200** are provided on either side of hopper **192**. Hinges **200** are adapted to allow the blister tray **20** to be inserted up but do not allow a blister tray to fall below the hinges once the hinges return to their extended position as shown in **Figure 17**.

5 **[0064]**In one embodiment, a count is kept of the number of blister trays **20** that are within unloading unit **190**. Once a predefined number of units are loaded into unloaded unit **190** the units can then be transferred. Reference is now made to **Figure 18**.

10 **[0065]**In **Figure 18**, lift rods **194** are adapted to raise the entire stack of blister trays **20** to a second position. Once the blister trays are in a second position, an under mount rail **210** as best seen in **Figure 16** is pushed under the stack of blister trays **20**. Under mount rail **210** is preferably moved into place through a pneumatic or hydraulic actuator.

15 **[0066]**A push rod **220** is adapted to push the entire stack onto a rail **230** from which an operator can load the blister tray stack into boxes for shipping.

20 **[0067]**In a further embodiment, it is advantageous to add a release coating to the bottom of blister tray **10** from **Figure 1**. As will be appreciated by those skilled in the art, a release coating allows stacking of blister trays without any adhesion of adhesive to the bottom of the stack. Suitable release materials include typical low energy polymers as used by industry.

25 **[0068]**Reference is now made to **Figure 6**. As will be appreciated to those skilled in the art, release coatings can be added prior to the forming of the blister tray by coating the flat sheets prior to thermoforming. Alternatively, pre-release coated materials exist and can be utilized to form a blister tray. However, in some embodiments it is advantageous to add the coating during the manufacturing process.

30 **[0069]**From **Figure 6**, unloading apparatus **190** unloads coated blister trays from pallets **40** (from **Figure 4**). At this point an empty pallet travels to loading hopper **62**.

**[0070]**In one embodiment, the empty pallet is checked prior to arriving at loading hopper **62** to verify that blister trays **20** were unloaded at unloading apparatus **190**. This could be done by stopping the empty pallet **40** over sensors similar to sensors **82** and **84** from **Figure 9**.

**[0071]**In an embodiment in which a release coating needs to be added, a station can be inserted between unloading apparatus **190** and loading hopper **62**. This station would provide a coating onto pallet **40**. Specifically, referring to **Figure 4**, a top coating **46** of pallet **40** is preferably a proud resilient material such as rubber. This material could be coated with a release prior to the pallet **40** reaching loading hopper **62**. In this case a blister tray **10** is inserted into a coated pallet **40** and proceeds into printing unit **80**.

**[0072]**The pressure provided by the coating head also pushes blister tray **10** into pallet **40** thereby providing a release coating to the underside of blister tray if applied **10**. Further by proceeding through dryers **140**, **160**, and **170** the release coating is also dried. Thus, when the pallet arrives back at the unloading apparatus **190** both the upper surface and the lower surface of blister tray **20** are coated. Specifically, the upper surface of blister tray has the adhesive while the lower tray surface of blister tray **20** has the release.

**[0073]**As will be appreciated by those skilled in the art, various controls need to exist on a coating line **60**. Such controls include emergency stops, checks to see whether the pallet is loaded and unloaded at proper points, checks to see whether the adhesive is being applied correctly and with correct pressure, counting mechanisms to count the number of blister trays coated, among others. These can be controlled by a central control panel such as that illustrated in **Figure 6**. In **Figure 6**, control units **250**, **260** and a power box **270** are provided to provide electrical, pneumatic, hydraulic or other controls as required by coating line **60**.

**[0074]**In operation, a pallet **40** is positioned under loading unit **62** and receives, in the example of the pallet of **Figure 4**, two blister trays. The pallet then proceeds into printing unit **80** in which it receives an adhesive on its shoulders only. If a release is also added to pallet **40** then the pressure in the printing unit **80** causes release to be bonded to the lower surface of the blister tray.

**[0075]**The pallet then proceeds to corner **142** where it changes direction and proceeds through dryers **160** and **170**. This allows the pallet to be exposed to the heat and airflow of dryers **160** and **170** for a longer period of time.

**[0076]**The pallet then proceeds back to corner **180** where it changes direction again and proceeds under unloading apparatus **190** where the blister trays are unloaded from pallet **40**.

**[0077]**When unloading unit **190** has a certain number of blister trays can be removed from the unloading unit by raising the blister trays, inserting a rail **210** and using a piston **220** to push the blister trays onto a rail **230** for shipping.

5

**[0078]**A customer will then receive the coated blister trays and a foil-coated paper-lidding unit. These can be assembled by printing any information desired onto the foil coated paper lidding and placing the lidding in a correct position over the coated blister tray.

10 **[0079]**Light pressure will cohesively bond the blister tray to the lidding since the adhesive on the blister tray is adapted to bond to a coating on the foil. The assembled unit can then be provided to the end user.

15 **[0080]**In alternative configurations, instead of a cohesive bond, a pressure bond could be utilized. In this case, equipment may be required to bond, using pressure, the lidding onto the blister tray.

20 **[0081]**As will be appreciated by those skilled in the art, the use of the pallets through the process allows for the coating of the shoulders only without any contamination of the adhesive into the recesses of the blister tray, thereby preventing contamination of the product that is placed into the recesses, clouding of the blister tray or other aversive effects. This is done by allowing pressure to be applied to the blister tray without deforming the blister tray.

25 **[0082]**Various alternatives to the above exist. In certain embodiments, the loading unit could work by mechanical rather than pneumatic section means. Other alternatives would be known to those skilled in the art.

30 **[0083]**The configuration for the dryers could be varied. For example, instead of having a pallet change direction to go through a dryer more slowly, a further dryer could be added and the pallet could proceed in it's original orientation. Further, other drying techniques than infrared, forced hot air and fans are contemplated to be within the scope of the present disclosure.

**[0084]** Variations could further exist in the printer, unloader, conveyer and other aspects of the manufacturing process.

**[0085]** In certain embodiments, blister trays could be printed with a pressure or thermal adhesive instead of a cohesive bond. Further, even in the case of the use of a cohesive  
5 bond, varied lacquers and adhesives could be utilized.

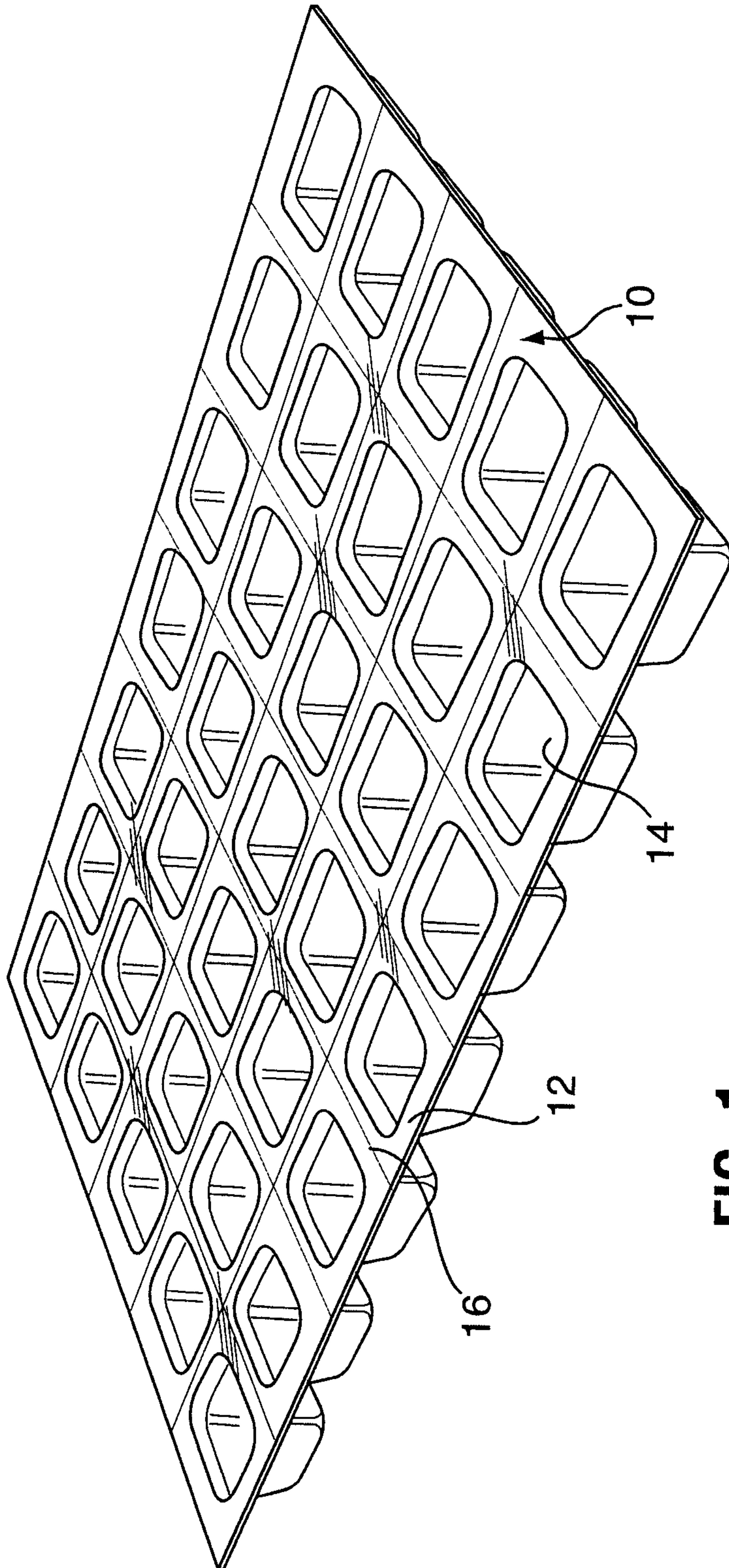
**[0086]** Figures 1 to 18 provide for one embodiment. However, as will be appreciated by those skilled in the art, modifications could be made without changing the nature of the  
10 present disclosure.

**CLAIMS**

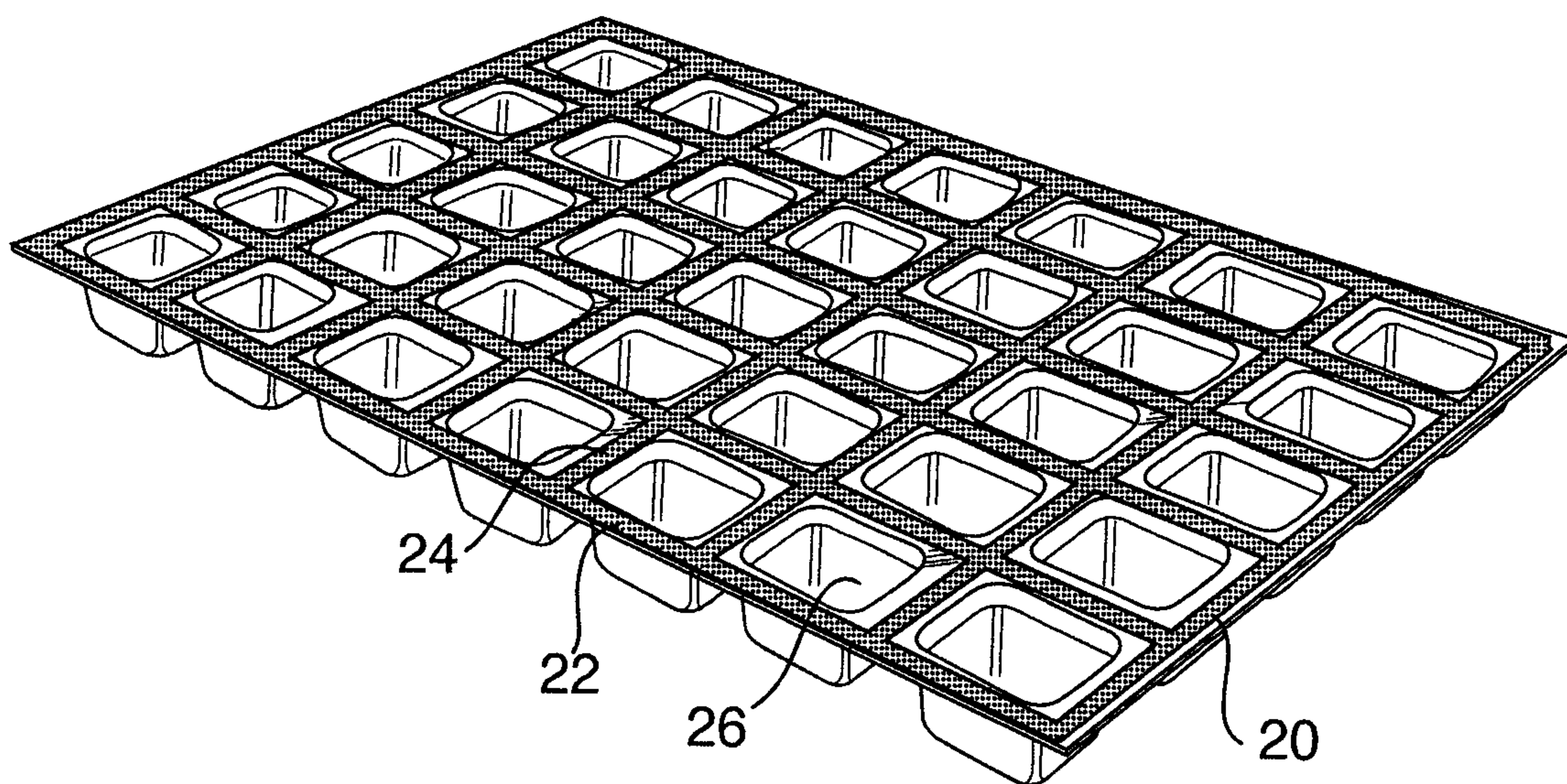
1. A system for providing adhesive to a pre-formed blister tray having shoulders and recesses between said shoulders, the system comprising:
- 5 at least one pallet, each pallet of the at least one pallet having with holes to accommodate recesses within the blister tray and support for the shoulders of the blister tray, allowing pressure to be placed on the shoulder of the blister tray without deforming the recesses of the blister tray;
- a pallet loading station for loading the pallet with the pre-formed blister tray;
- 10 a printer unit for printing adhesive to the shoulders of the blister tray;
- a drying station for drying the adhesive; and
- an unloading station for unloading blister trays with adhesive printed on the shoulders thereof.
- 15 2. The system of claim 1 wherein the printer unit is selected from the group consisting of a gravure printer; a flexo printer; an offset printer; a knife over roller printer; an air-knife printer; and a reverse gravure printer.
3. The system of claim 2 wherein the adhesive is one of a co-adhesive coating: a  
20 thermal adhesive; and a pressure adhesive.
4. The system of one of claims 1 to 3, wherein the pallet further comprises a proud area.
5. The system of claim 4, wherein the proud area is coated with a release coating  
25 between the unloading station and the loading station.
6. The system of claim 5 wherein pressure provided at the printer unit is configured to coat an underside of said shoulders with the release coating.

7. The system of any one of claims 1 to 6 wherein the pallet has a first longer dimension and a second shorter dimension.
- 5 8. The system of claim 7 further comprising a corner on a conveyer, wherein a direction of travel is changed at the corner from the first longer dimension to the second shorter dimension, thereby increasing travel time of the pallet when traveling along the second shorter dimension.
- 10 9. The system of claim 8 wherein the corner occurs within the drying station.
10. The system of any one of claims 1 to 9, wherein the loading station comprises a stack of blister trays and a suction head configured to pull one blister tray from the stack of blister trays into the pallet.
- 15
11. The system of any one of claims 1 to 10 wherein the unloading station comprises at least one lift rod to push the coated blister tray into a stack of coated blister trays.
- 20 12. The system of claim 11 further comprising a counter to count a number of coated blister trays within the stack of coated blister trays.
13. The system of claim 11 further comprising a transfer station configured to push the stack of blister trays out of the unloading station once a predetermined number of blister trays are within the stack of blister trays.
- 25
14. The system of any one of claims 1 to 13 wherein the pallet is configured to accommodate a plurality of blister trays.

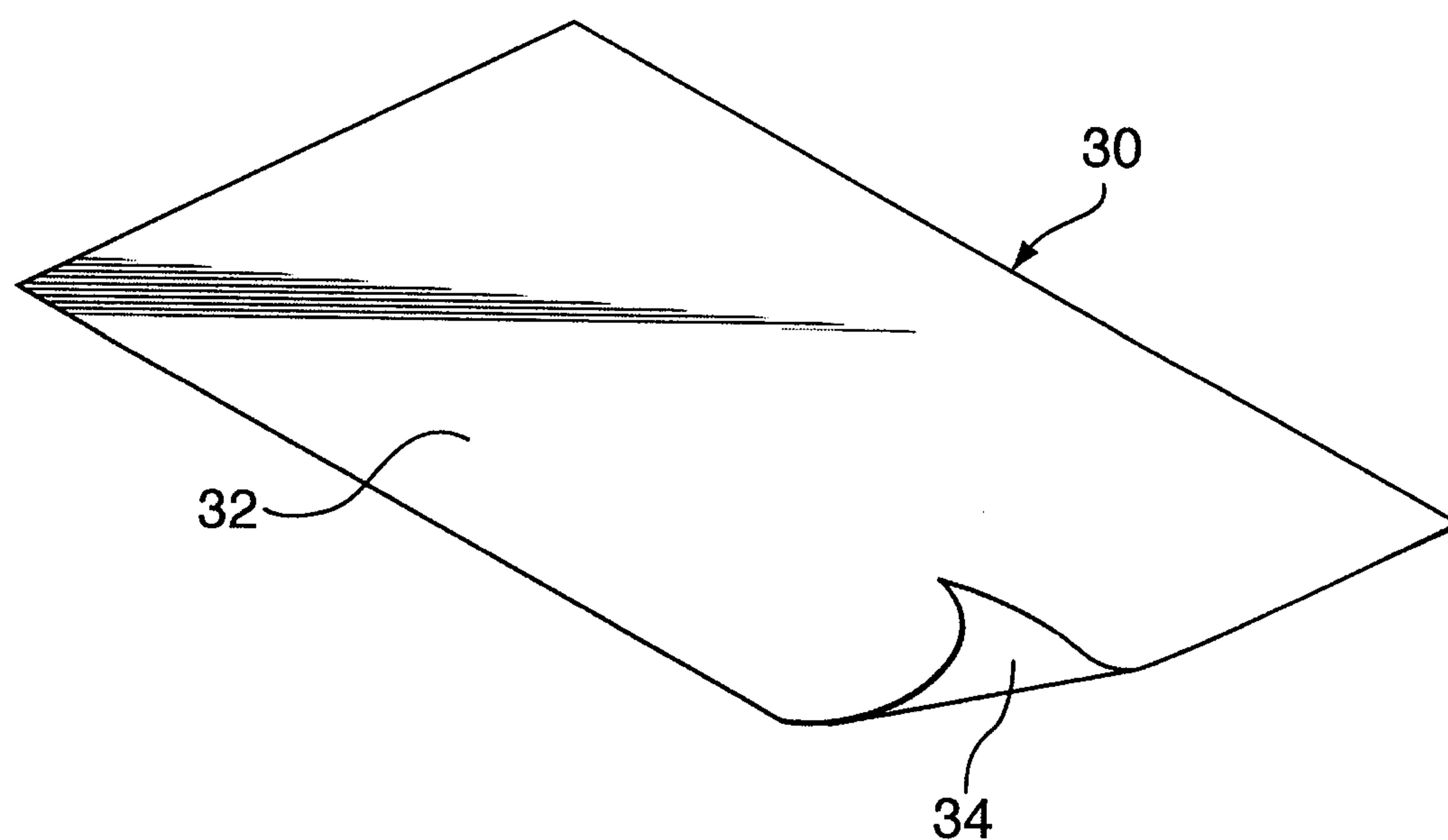
15. A pallet configured to support at least one blister tray, each blister tray having shoulders and recesses there between, the pallet comprising:
- a plurality of holes configured to allow said recesses to fit therein;
  - a proud area configured to support said shoulders of said blister tray,
- 5 wherein the pallet allows pressure to be places on the shoulders of the blister tray without deforming the recesses of the blister tray.
16. The pallet of claim 15 wherein the proud area is comprised of a rubber surface.
- 10 17. A method for printing onto a shoulder area of a blister tray, the blister tray comprising the shoulder area and recesses there between, the method comprising:
- inserting the blister tray into a pallet configured to support the shoulders of the blister tray;
  - printing an adhesive onto the shoulder area of the blister tray without deforming the
- 15 recesses of the blister tray;
- drying the adhesive; and
  - removing the blister tray from the pallet.
18. The method of claim 17, further comprising coating a proud area of the pallet with a
- 20 release coating to allow an underside of the shoulder area to be coated with the release coating.
19. The method of claim 17, wherein the drying comprises changing a direction of travel of the pallet to create a longer travel time within a drying unit, whereby the pallet
- 25 changes from a long direction of travel to a shorter direction of travel.



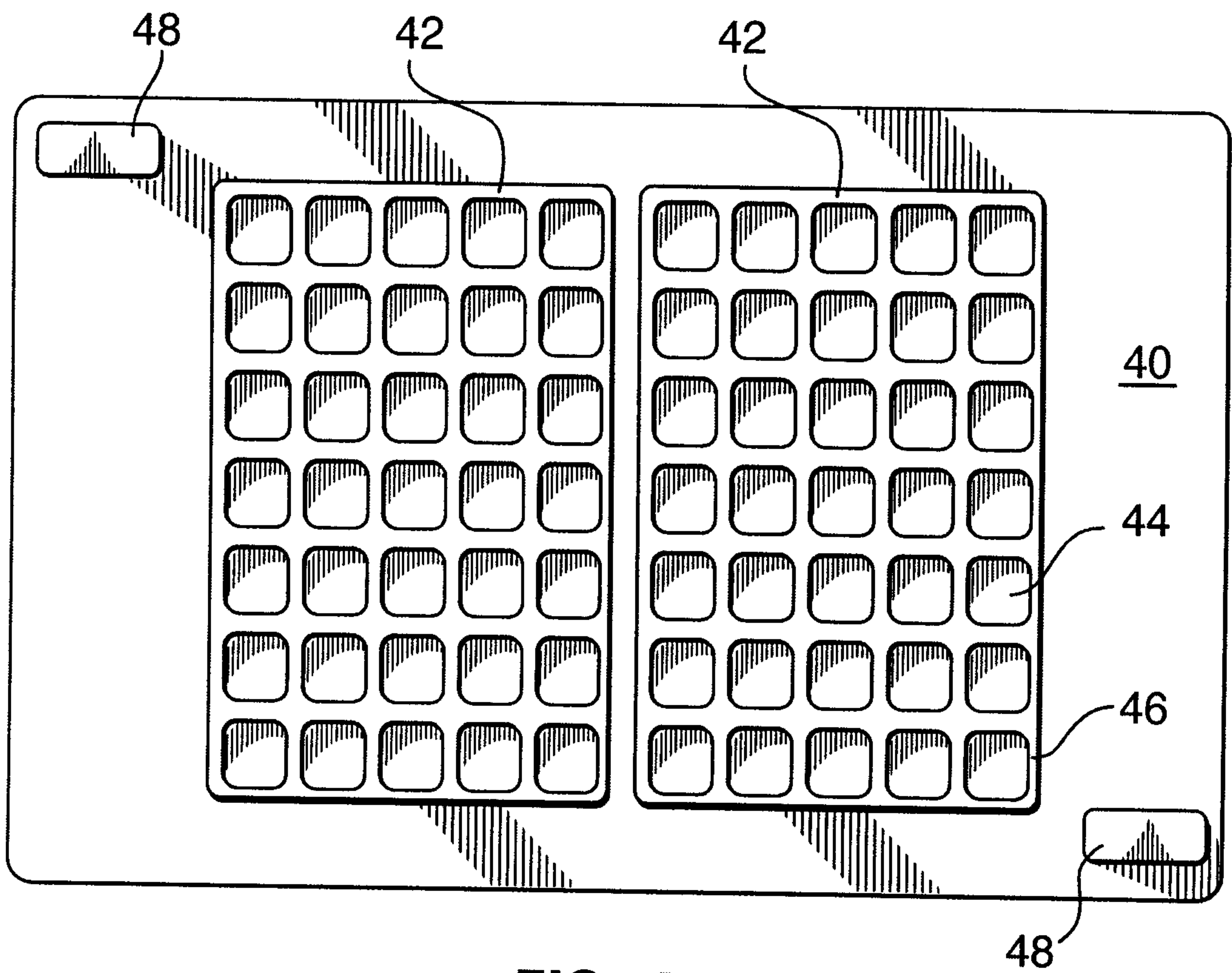
**FIG. 1**



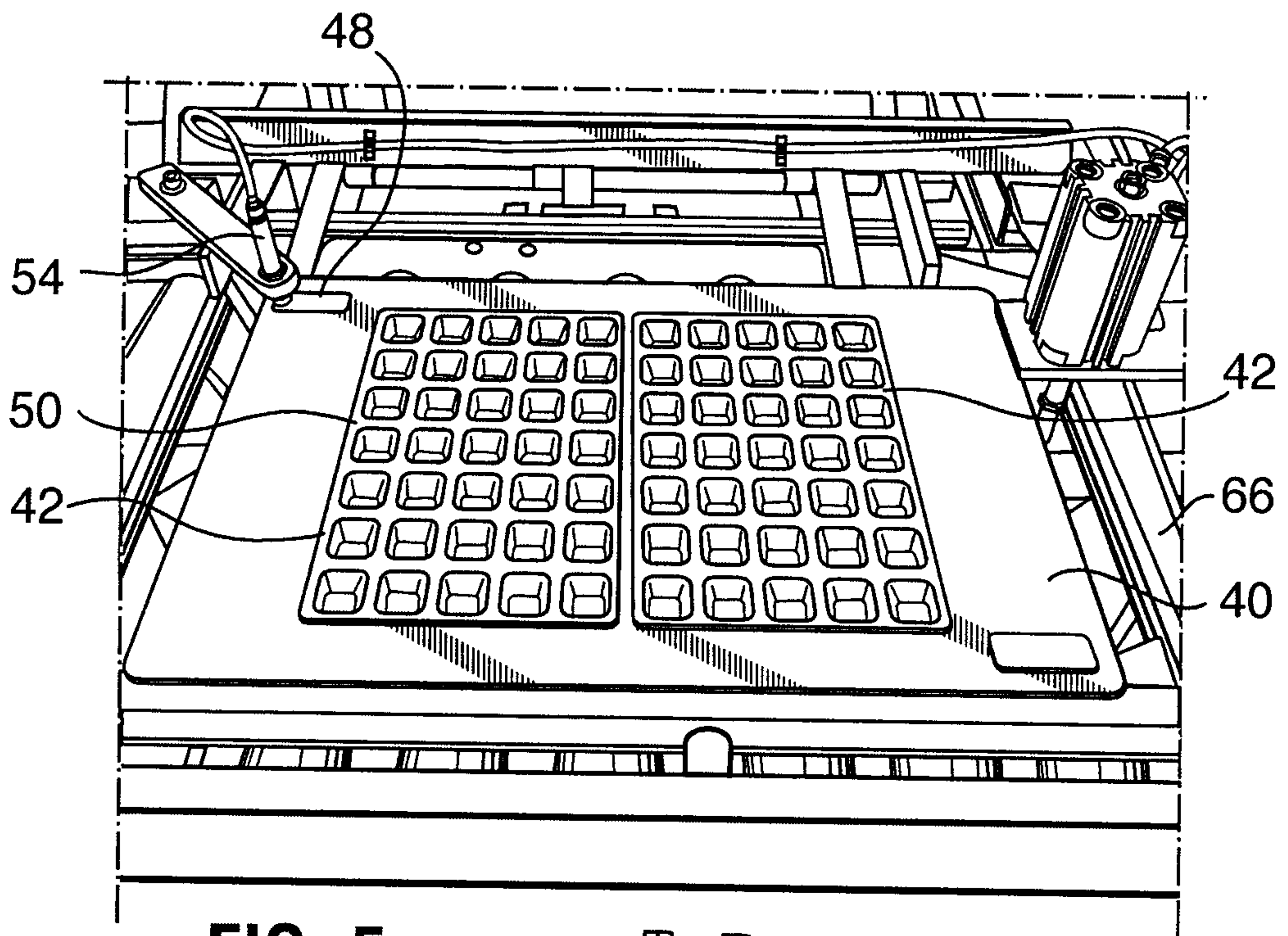
**FIG. 2**



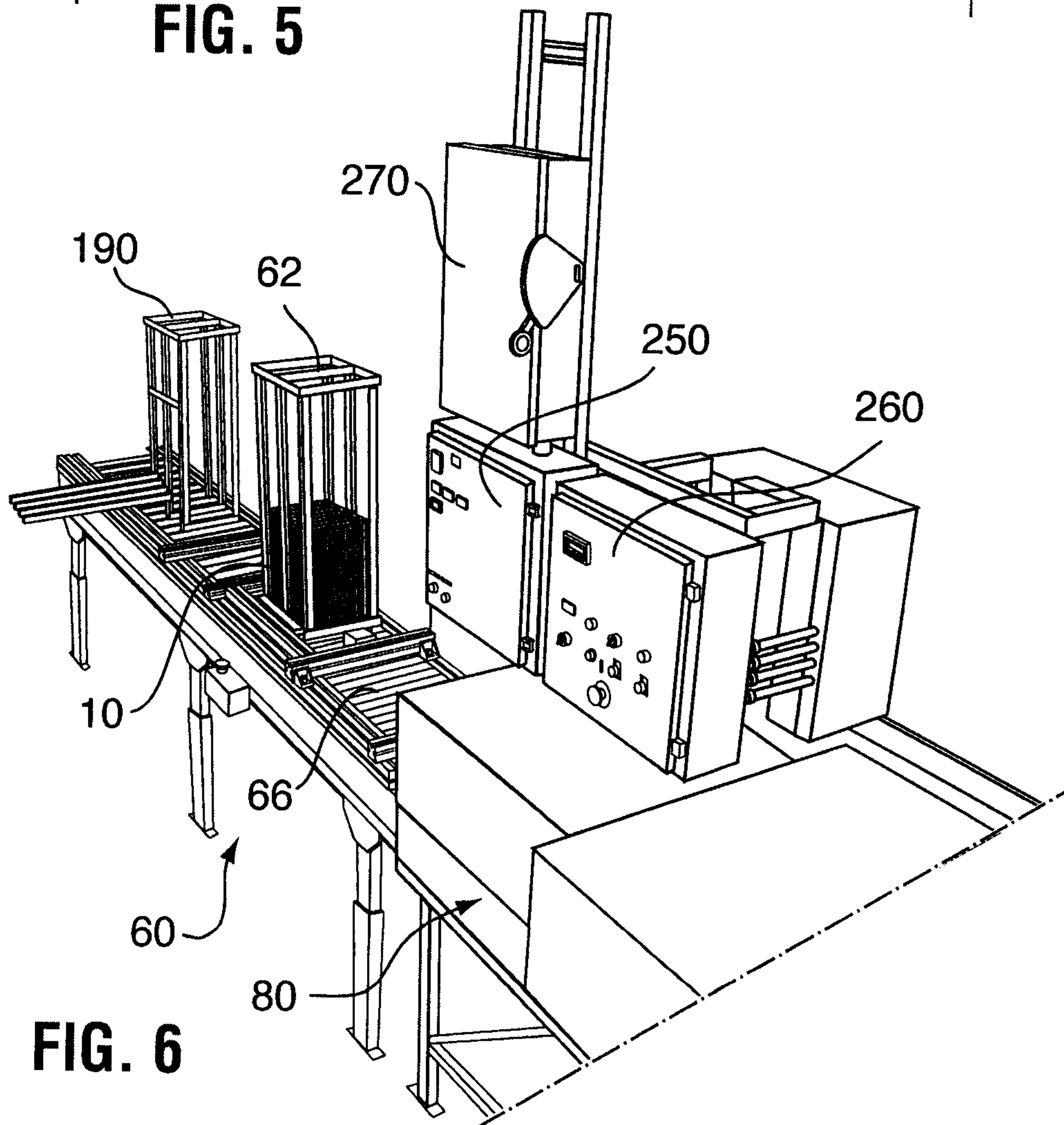
**FIG. 3**



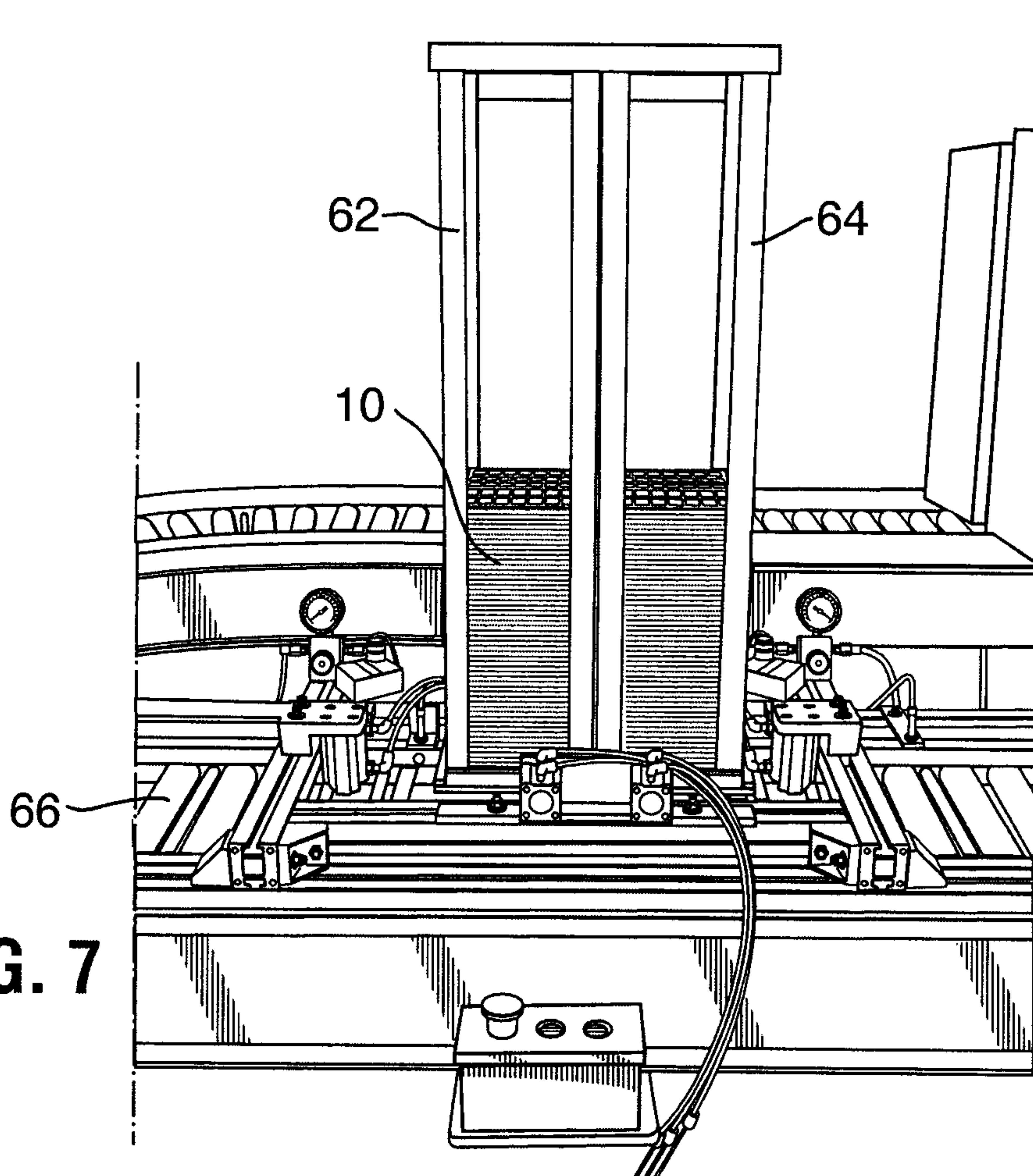
**FIG. 4**



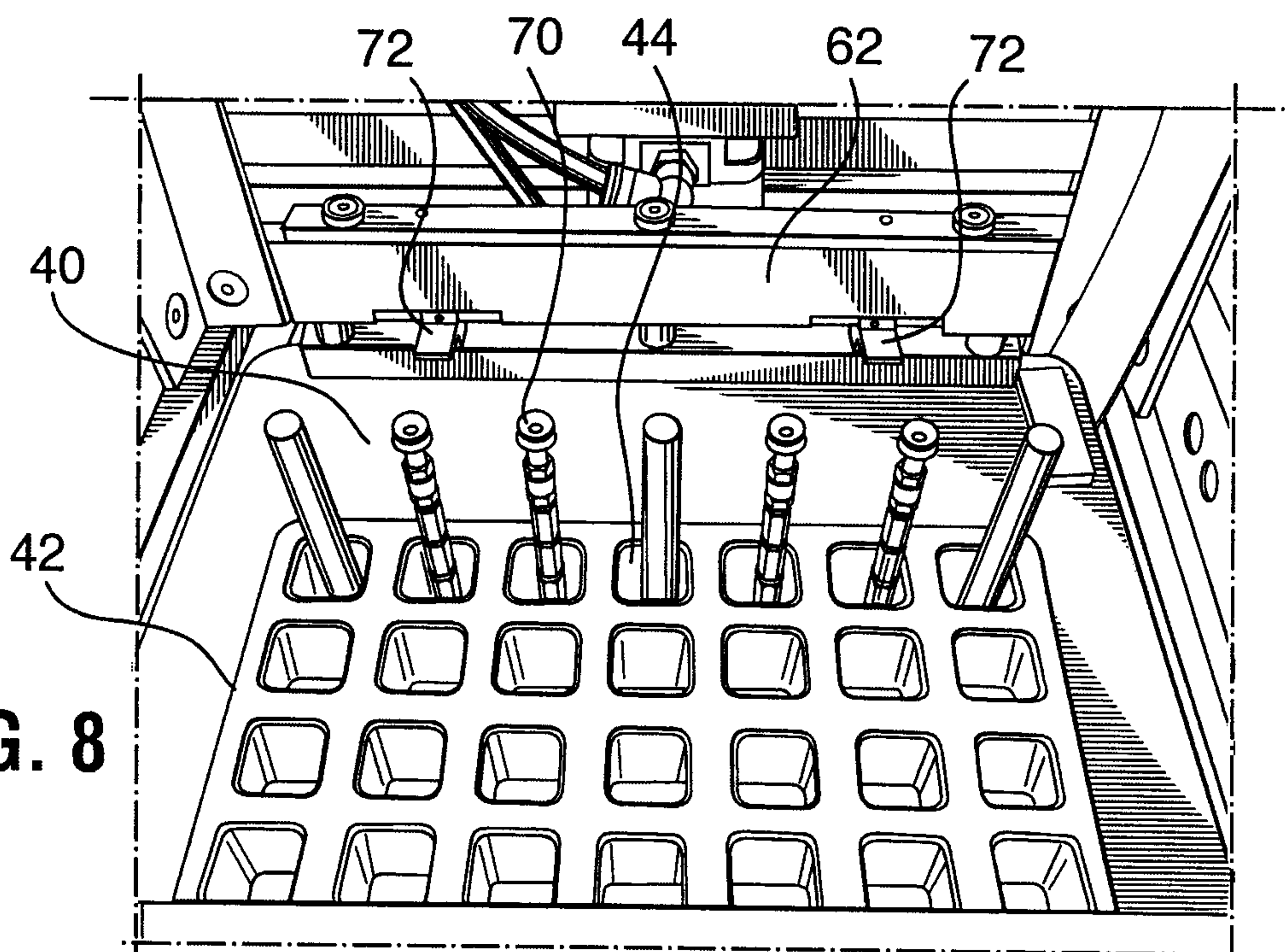
**FIG. 5**



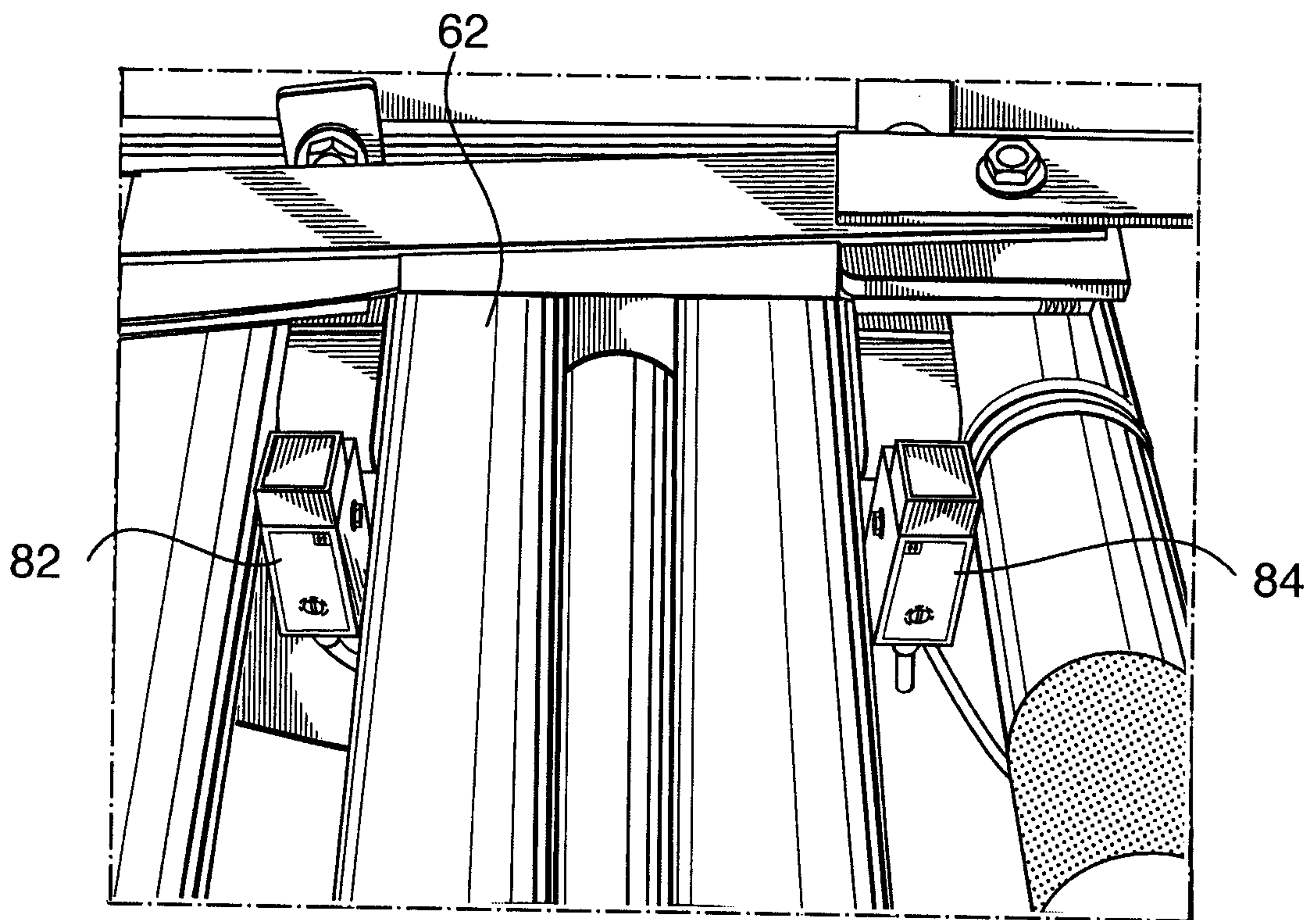
**FIG. 6**



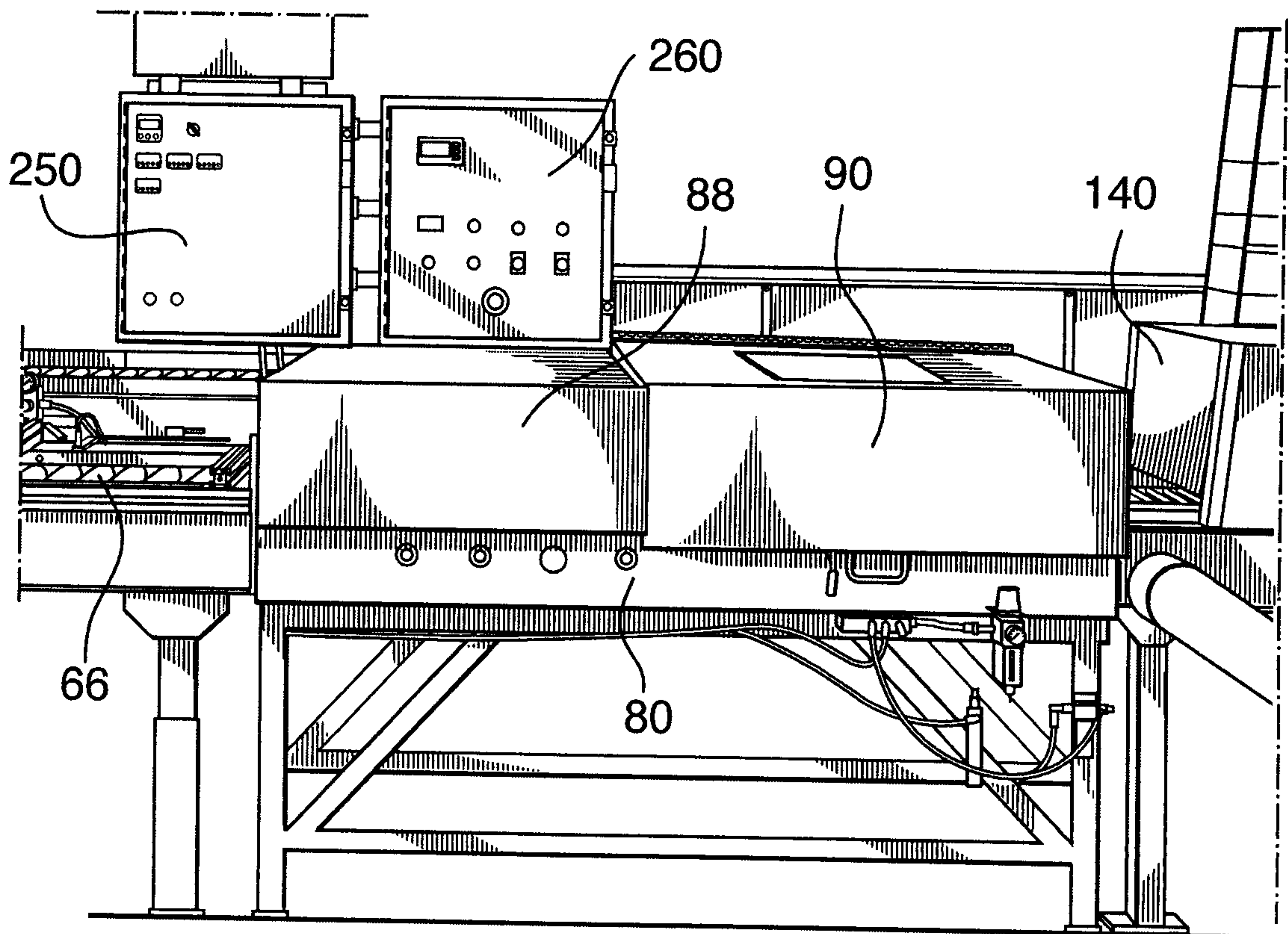
**FIG. 7**



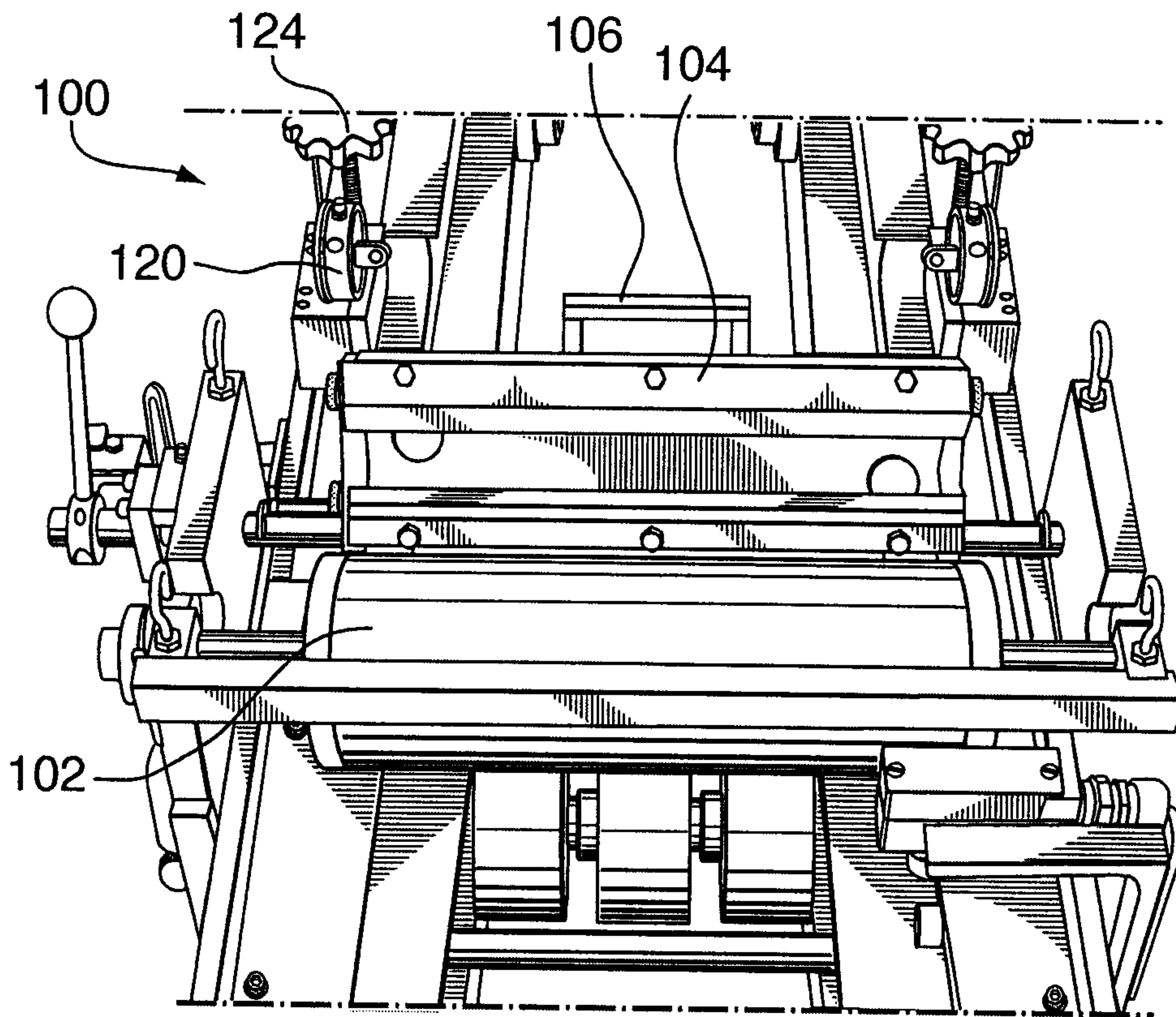
**FIG. 8**



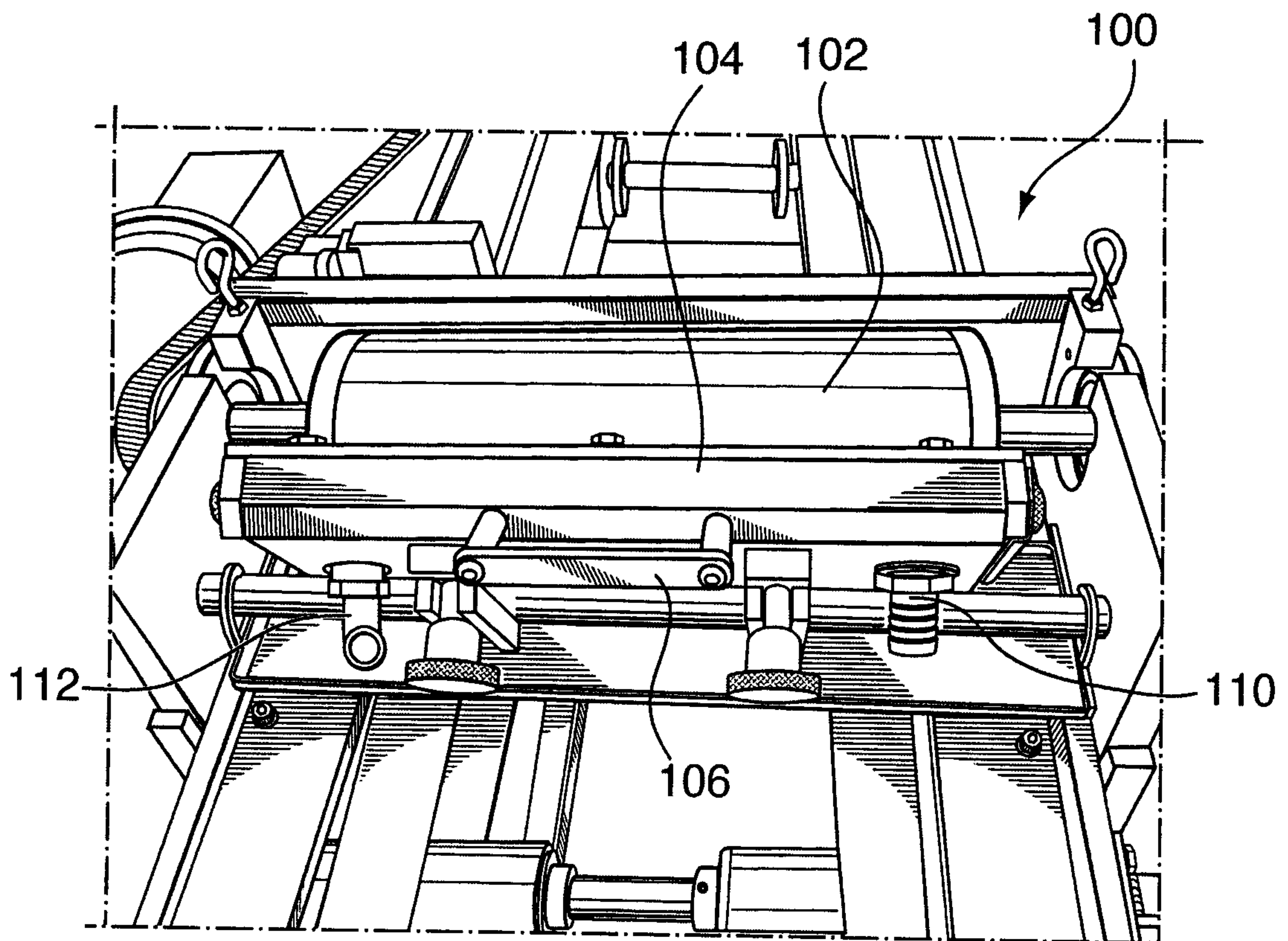
**FIG. 9**



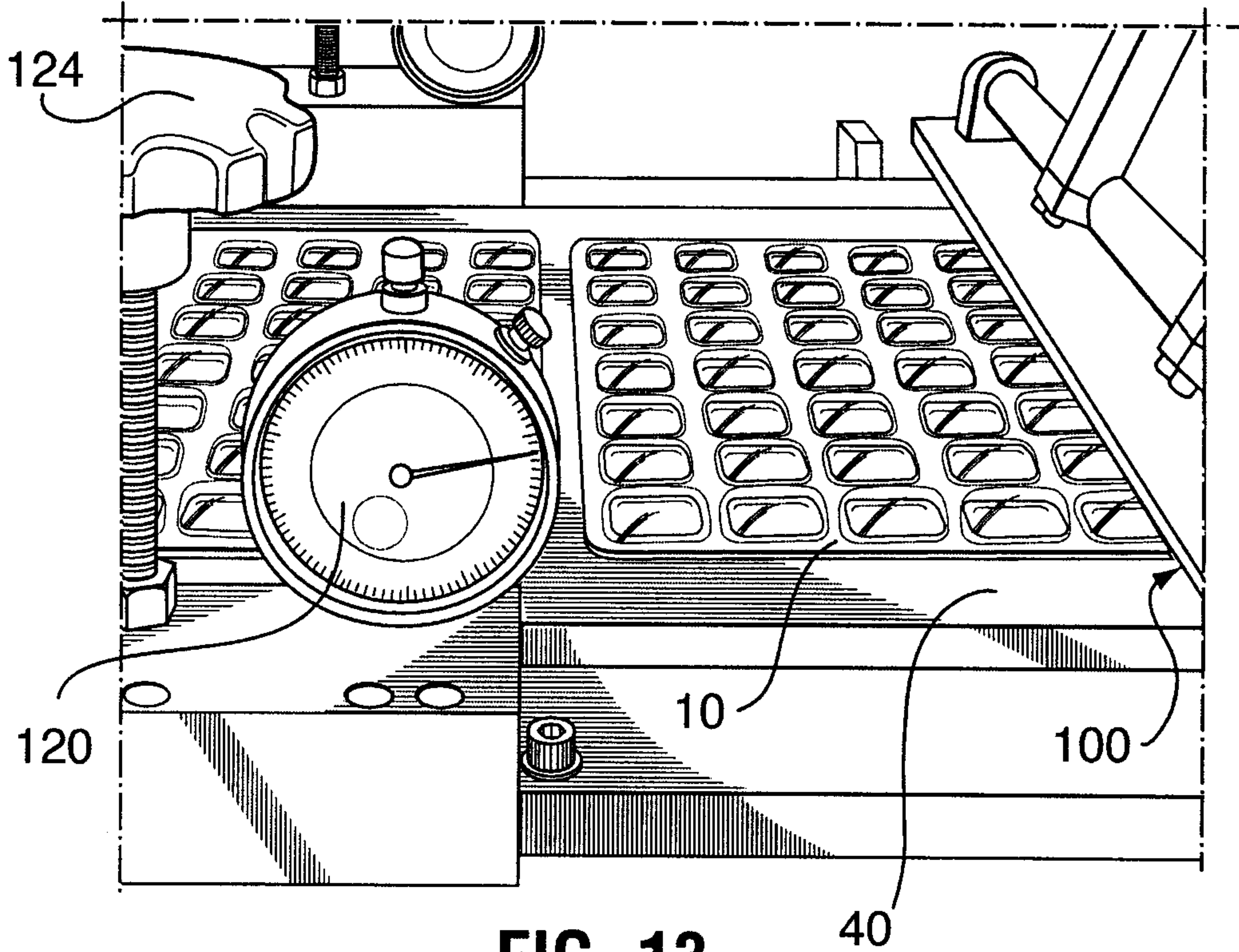
**FIG. 10**



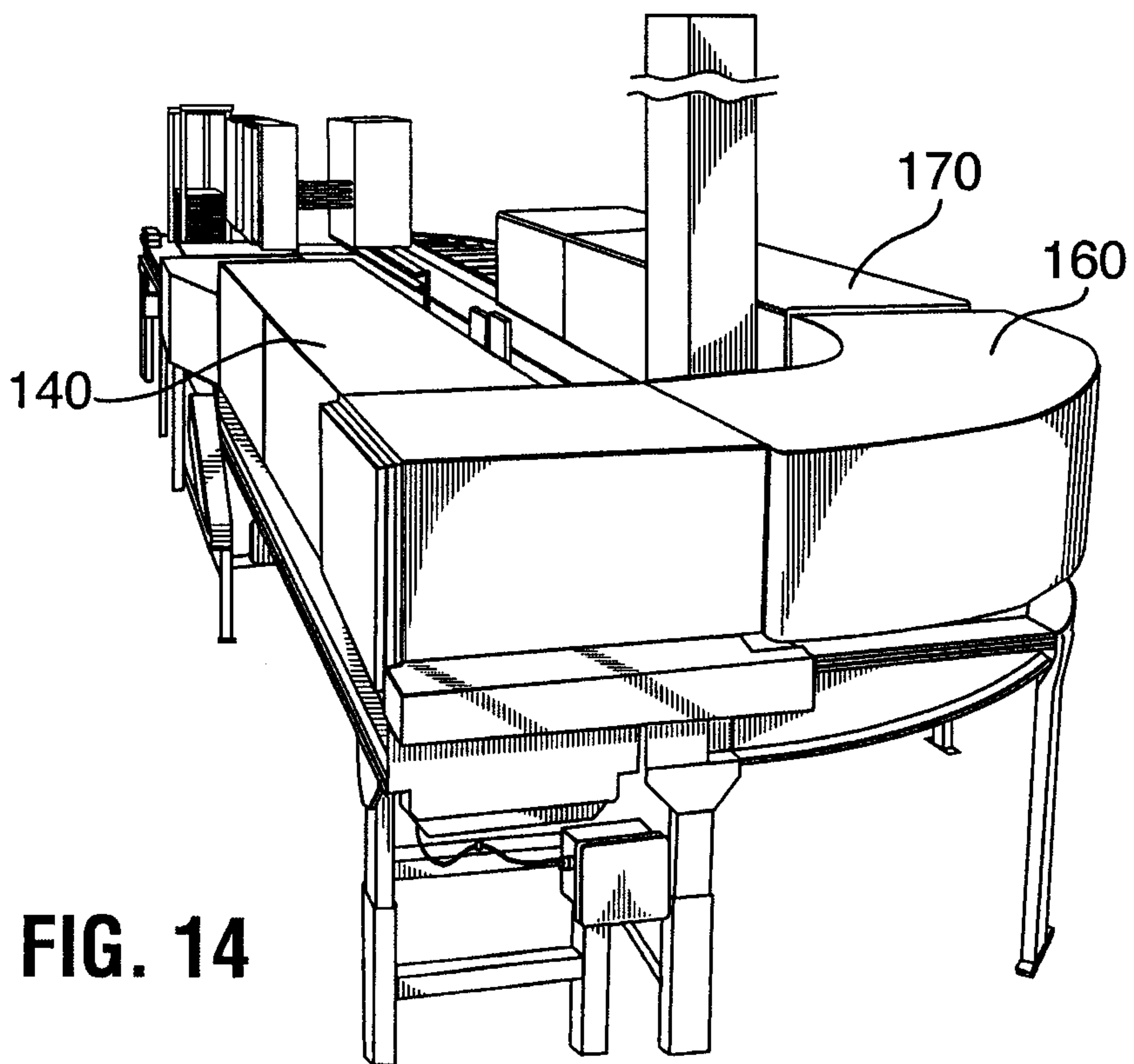
**FIG. 11**



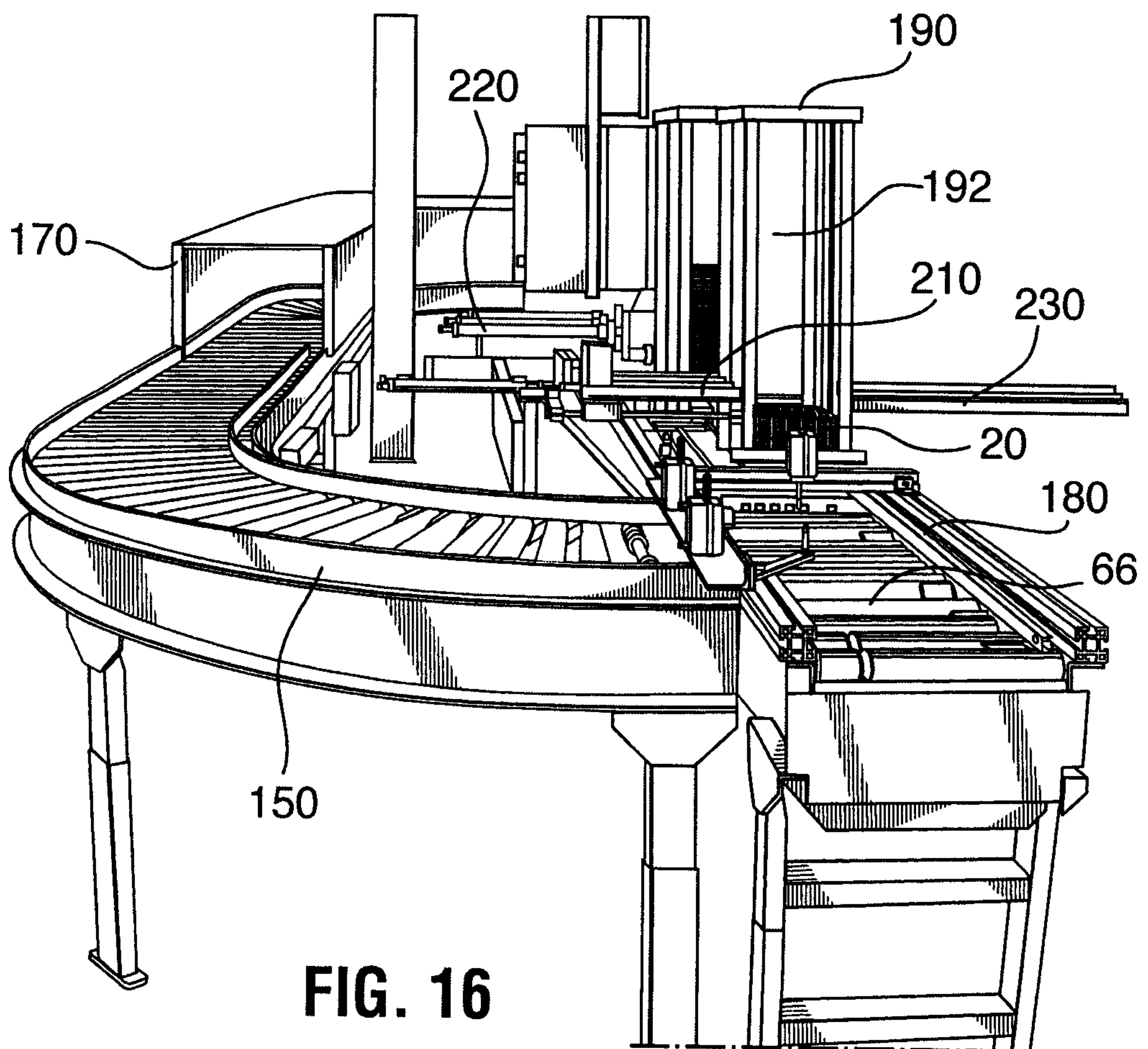
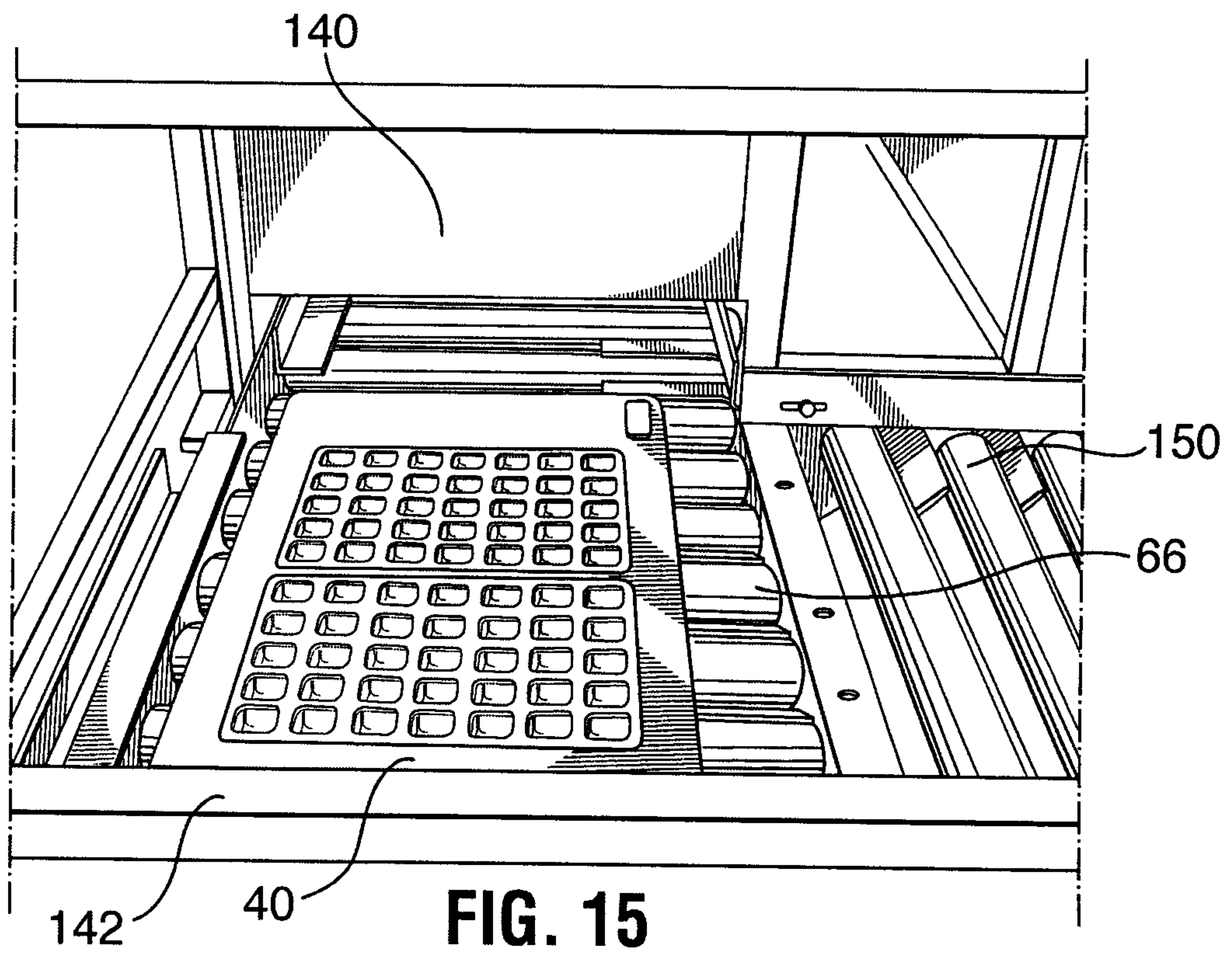
**FIG. 12**

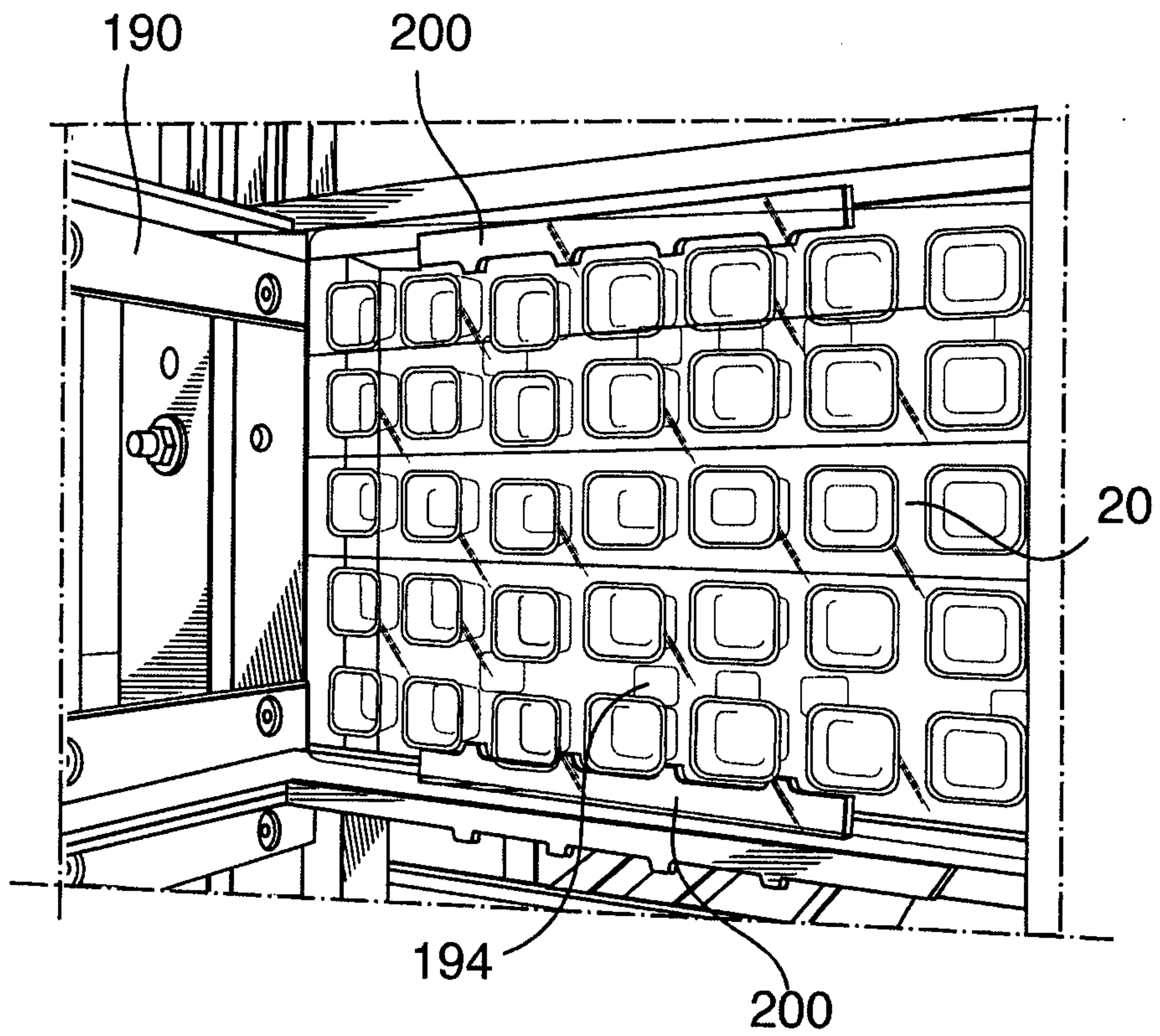


**FIG. 13**

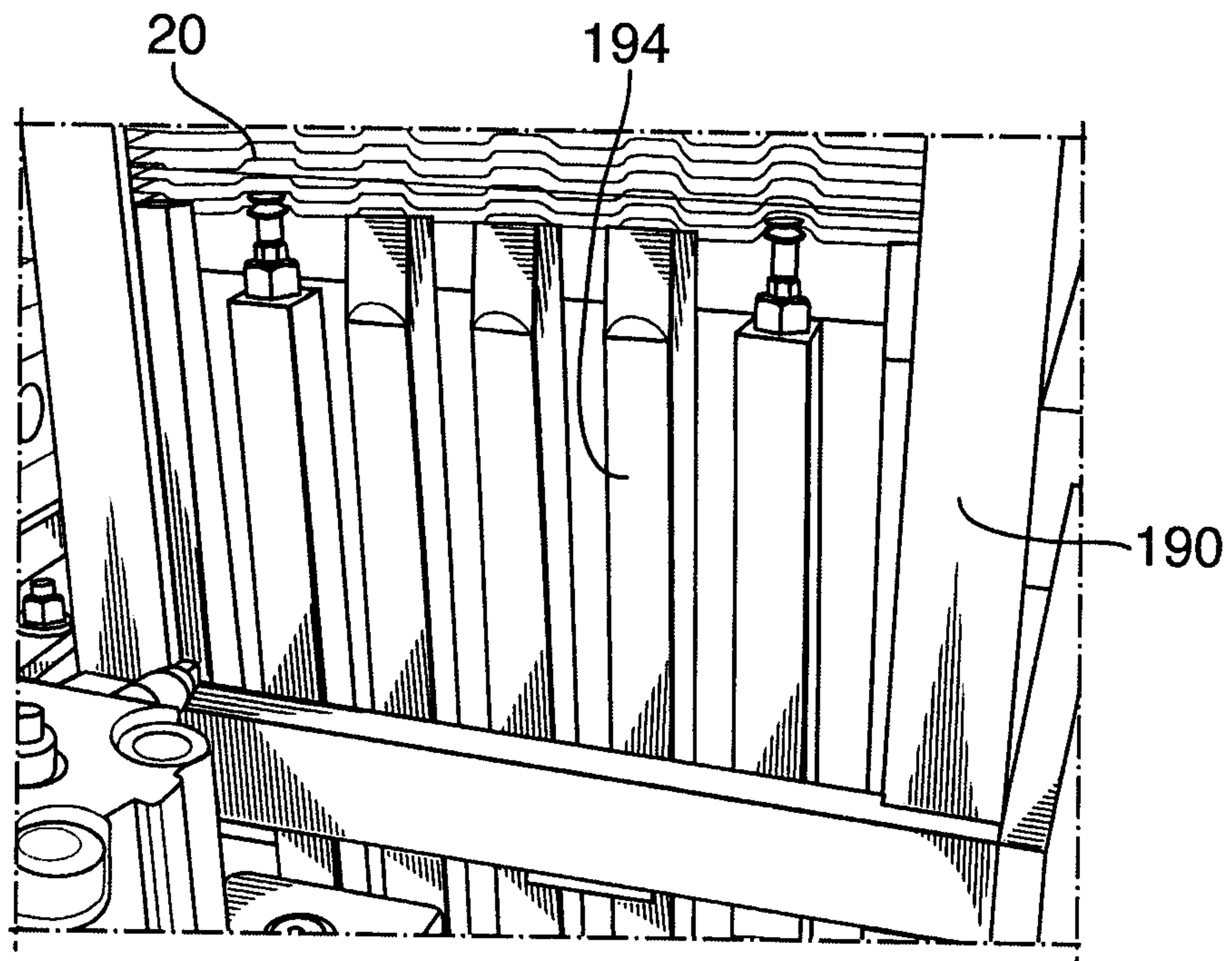


**FIG. 14**





**FIG. 17**



**FIG. 18**

