



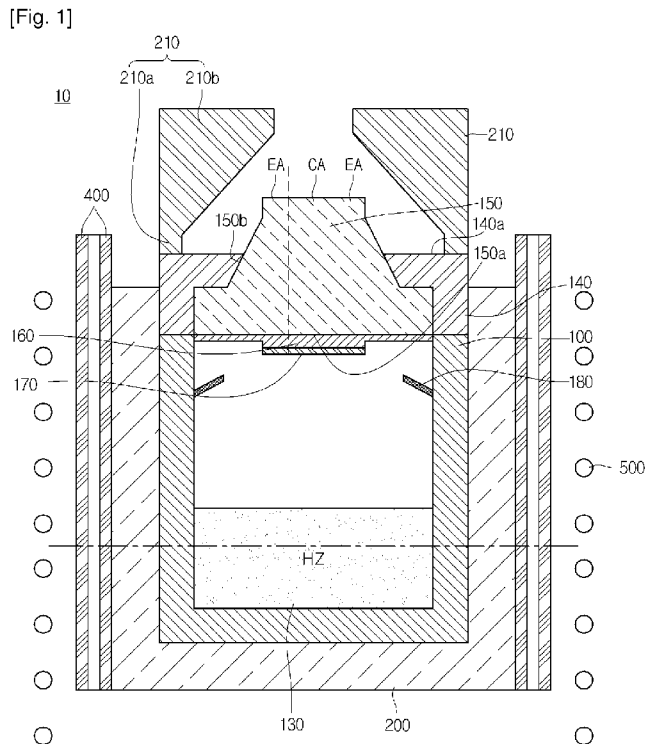
- (51) International Patent Classification:
C30B 23/00 (2006.01) H01L 21/205 (2006.01)
C30B 29/36 (2006.01)
- (21) International Application Number:
PCT/KR2012/004499
- (22) International Filing Date:
7 June 2012 (07.06.2012)
- (25) Filing Language: English
- (26) Publication Language: English
- (30) Priority Data:
10-2011-0054622 7 June 2011 (07.06.2011) KR
- (71) Applicant (for all designated States except US): **LG IN-NOTEK CO., LTD.** [KR/KR]; Seoul Square, 541, Namdaemunno 5-ga, Jung-gu, Seoul 100-714 (KR).
- (72) Inventors; and
- (75) Inventors/Applicants (for US only): **SON, Chang Hyun** [KR/KR]; Seoul Square, 541, Namdaemunno 5-ga, Jung-gu, Seoul 100-714 (KR). **KIM, Bum Sup** [KR/KR]; Seoul

Square, 541, Namdaemunno 5-ga, Jung-gu, Seoul 100-714 (KR).

- (74) Agent: **SEO, Kyo Jun**; 9th Fl. Hyun Juk Bldg., 832-41, Yeoksam-dong, Gangnam-gu, Seoul 135-080 (KR).
- (81) Designated States (unless otherwise indicated, for every kind of national protection available): AE, AG, AL, AM, AO, AT, AU, AZ, BA, BB, BG, BH, BR, BW, BY, BZ, CA, CH, CL, CN, CO, CR, CU, CZ, DE, DK, DM, DO, DZ, EC, EE, EG, ES, FI, GB, GD, GE, GH, GM, GT, HN, HR, HU, ID, IL, IN, IS, JP, KE, KG, KM, KN, KP, KZ, LA, LC, LK, LR, LS, LT, LU, LY, MA, MD, ME, MG, MK, MN, MW, MX, MY, MZ, NA, NG, NI, NO, NZ, OM, PE, PG, PH, PL, PT, QA, RO, RS, RU, RW, SC, SD, SE, SG, SK, SL, SM, ST, SV, SY, TH, TJ, TM, TN, TR, TT, TZ, UA, UG, US, UZ, VC, VN, ZA, ZM, ZW.
- (84) Designated States (unless otherwise indicated, for every kind of regional protection available): ARIPO (BW, GH, GM, KE, LR, LS, MW, MZ, NA, RW, SD, SL, SZ, TZ, UG, ZM, ZW), Eurasian (AM, AZ, BY, KG, KZ, RU, TJ, TM), European (AL, AT, BE, BG, CH, CY, CZ, DE, DK, EE, ES, FI, FR, GB, GR, HR, HU, IE, IS, IT, LT, LU, LV,

[Continued on next page]

(54) Title: APPARATUS FOR FABRICATING INGOT



(57) Abstract: The present invention relates to an apparatus for fabricating ingot including a crucible to accommodate a material, a top cover enclosing the circumference of the temperature difference compensative part, and a heat insulator to be disposed on the top cover.





MC, MK, MT, NL, NO, PL, PT, RO, RS, SE, SI, SK,
SM, TR), OAPI (BF, BJ, CF, CG, CI, CM, GA, GN, GQ,
GW, ML, MR, NE, SN, TD, TG).

— before the expiration of the time limit for amending the
claims and to be republished in the event of receipt of
amendments (Rule 48.2(h))

Published:

— with international search report (Art. 21(3))

(88) Date of publication of the international search report:

4 April 2013

A. CLASSIFICATION OF SUBJECT MATTER*C30B 23/00(2006.01)i, C30B 29/36(2006.01)i, H01L 21/205(2006.01)i*

According to International Patent Classification (IPC) or to both national classification and IPC

B. FIELDS SEARCHED

Minimum documentation searched (classification system followed by classification symbols)

C30B 23/00; C01B 31/36; C30B 30/04; C30B 35/00; C03C 15/00; C30B 23/06

Documentation searched other than minimum documentation to the extent that such documents are included in the fields searched

Korean utility models and applications for utility models

Japanese utility models and applications for utility models

Electronic data base consulted during the international search (name of data base and, where practicable, search terms used)

eKOMPASS(KIPO internal) & Keywords: silicon carbide, crucible, temperature difference compensative part, top cover, heat insulator

C. DOCUMENTS CONSIDERED TO BE RELEVANT

Category*	Citation of document, with indication, where appropriate, of the relevant passages	Relevant to claim No.
A	US 2009-0053125 A1 (GUPTA AVINASH K. et al.) 26 February 2009 See the abstract, fig. 1 and paragraph [42]- paragraph [68]	1-16
A	US 2002-0088391 A1 (HARALD KUHN et al.) 11 July 2002 See the abstract, fig. 1-3 and paragraph [41] - paragraph [54]	1-16
A	US 2007-0240630 A1 (ROBERT LEONARD et al.) 18 October 2007 See the abstract, fig. 8-11	1-16

 Further documents are listed in the continuation of Box C. See patent family annex.

* Special categories of cited documents:

"A" document defining the general state of the art which is not considered to be of particular relevance

"E" earlier application or patent but published on or after the international filing date

"L" document which may throw doubts on priority claim(s) or which is cited to establish the publication date of citation or other special reason (as specified)

"O" document referring to an oral disclosure, use, exhibition or other means

"P" document published prior to the international filing date but later than the priority date claimed

"T" later document published after the international filing date or priority date and not in conflict with the application but cited to understand the principle or theory underlying the invention

"X" document of particular relevance; the claimed invention cannot be considered novel or cannot be considered to involve an inventive step when the document is taken alone

"Y" document of particular relevance; the claimed invention cannot be considered to involve an inventive step when the document is combined with one or more other such documents, such combination being obvious to a person skilled in the art

"&" document member of the same patent family

Date of the actual completion of the international search

29 JANUARY 2013 (29.01.2013)

Date of mailing of the international search report

30 JANUARY 2013 (30.01.2013)

Name and mailing address of the ISA/KR

Korean Intellectual Property Office
189 Cheongsu-ro, Seo-gu, Daejeon Metropolitan
City, 302-701, Republic of Korea

Facsimile No. 82-42-472-7140

Authorized officer

JO Soo Ik

Telephone No. 82-42-481-5893



INTERNATIONAL SEARCH REPORT

Information on patent family members

International application No.

PCT/KR2012/004499

Patent document cited in search report	Publication date	Patent family member(s)	Publication date
US 2009-0053125 A1	26.02.2009	WO 2009-026269 A1	26.02.2009
US 2002-0088391 A1	11.07.2002	EP 1200651 A1	02.05.2002
		EP 1200651 B1	07.04.2004
		JP 04-691292 B2	25.02.2011
		JP 2003-504297 A	04.02.2003
		JP 2003-504297 T	04.02.2003
		JP 4691292 B2	01.06.2011
		US 6723166 B2	20.04.2004
		WO 01-04390 A1	18.01.2001
		WO 01-04390A1	18.01.2001
US 2007-0240630 A1	18.10.2007	AU 2003-237489 A1	06.01.2004
		CA 2485594 A1	31.12.2003
		CN 100356524 C	19.12.2007
		CN 100356524 C0	19.12.2007
		CN 101914811 A	15.12.2010
		CN 1663033 A0	31.08.2005
		CN 1973064 A	30.05.2007
		CN 1973064 B	06.10.2010
		CN 1973064 C0	30.05.2007
		EP 1516361 A1	23.03.2005
		EP 1516361 B1	25.03.2009
		EP 1784528 A1	16.05.2007
		EP 2182100 A2	05.05.2010
		EP 2314737 A2	27.04.2011
		EP 2327816 A2	01.06.2011
		EP 2336399 A2	22.06.2011
		JP 04-670006 B2	28.01.2011
		JP 2005-531145 A	13.10.2005
		JP 2008-504203 A	14.02.2008
		JP 2008-504203 T	14.02.2008
		JP 2011-116653 A	16.06.2011
		KR 10-1024328 B1	23.03.2011
		KR 10-2007-0028589 A	12.03.2007
		KR20070028589A	12.03.2007
		TW 1285404B	11.08.2007
		TW 1333004A	11.11.2010
		TW 285404 A	11.08.2007
		TW 285404 B	11.08.2007
		US 2003-0233975 A1	25.12.2003
		US 2004-0206298 A1	21.10.2004
		US 2005-0126471 A1	16.06.2005
		US 2006-0107890 A1	25.05.2006
		US 2006-0213430 A1	28.09.2006
		US 2007-0240633 A1	18.10.2007
		US 2009-0256162 A1	15.10.2009
		US 2011-0024766 A1	03.02.2011
		US 2011-290174 A1	01.12.2011

INTERNATIONAL SEARCH REPORT

Information on patent family members

International application No.

PCT/KR2012/004499

Patent document cited in search report	Publication date	Patent family member(s)	Publication date
		US 6814801 B2	09.11.2004
		US 7316747 B2	08.01.2008
		US 7323051 B2	29.01.2008
		US 7351286 B2	01.04.2008
		US 7601441 B2	13.10.2009
		US 8147991 B2	03.04.2012
		WO 04-001836 A1	31.12.2003
		WO 2006-011976 A1	02.02.2006