



- (51) International Patent Classification:
A61B 5/00 (2006.01)
- (21) International Application Number:
PCT/US2010/046698
- (22) International Filing Date:
25 August 2010 (25.08.2010)
- (25) Filing Language: English
- (26) Publication Language: English
- (30) Priority Data:
12/714,060 26 February 2010 (26.02.2010) US
- (71) Applicant (for all designated States except US): **EMPIRE TECHNOLOGY DEVELOPMENT LLC** [US/US];
2711 Centerville Rd, Suite 400, Wilmington, Delaware 19808 (US).
- (72) Inventor; and
- (75) Inventor/Applicant (for US only): **KRUGLICK, Ezekiel J.J.** [US/US]; 13842 Deergrass Ct., Poway, California 92064 (US).
- (74) Agent: **GILDER, Nathaniel A.**; Jensen & Puntigam, PS, 2033 Sixth Ave., Suite 1020, Seattle, Washington 98121 (US).
- (81) Designated States (unless otherwise indicated, for every kind of national protection available): AE, AG, AL, AM, AO, AT, AU, AZ, BA, BB, BG, BH, BR, BW, BY, BZ, CA, CH, CL, CN, CO, CR, CU, CZ, DE, DK, DM, DO, DZ, EC, EE, EG, ES, FI, GB, GD, GE, GH, GM, GT, HN, HR, HU, ID, IL, IN, IS, JP, KE, KG, KM, KN, KP, KR,

KZ, LA, LC, LK, LR, LS, LT, LU, LY, MA, MD, ME, MG, MK, MN, MW, MX, MY, MZ, NA, NG, NI, NO, NZ, OM, PE, PG, PH, PL, PT, RO, RS, RU, SC, SD, SE, SG, SK, SL, SM, ST, SV, SY, TH, TJ, TM, TN, TR, TT, TZ, UA, UG, US, UZ, VC, VN, ZA, ZM, ZW.

- (84) Designated States (unless otherwise indicated, for every kind of regional protection available): ARIPO (BW, GH, GM, KE, LR, LS, MW, MZ, NA, SD, SL, SZ, TZ, UG, ZM, ZW), Eurasian (AM, AZ, BY, KG, KZ, MD, RU, TJ, TM), European (AL, AT, BE, BG, CH, CY, CZ, DE, DK, EE, ES, FI, FR, GB, GR, HR, HU, IE, IS, IT, LT, LU, LV, MC, MK, MT, NL, NO, PL, PT, RO, SE, SI, SK, SM, TR), OAPI (BF, BJ, CF, CG, CI, CM, GA, GN, GQ, GW, ML, MR, NE, SN, TD, TG).

Declarations under Rule 4.17:

- as to applicant's entitlement to apply for and be granted a patent (Rule 4.17(ii))
- as to the applicant's entitlement to claim the priority of the earlier application (Rule 4.17(iii))

Published:

- with international search report (Art. 21(3))
- before the expiration of the time limit for amending the claims and to be republished in the event of receipt of amendments (Rule 48.2(h))

- (88) Date of publication of the international search report:
26 May 2016

(54) Title: ECHOGRAM DETECTION OF SKIN CONDITIONS

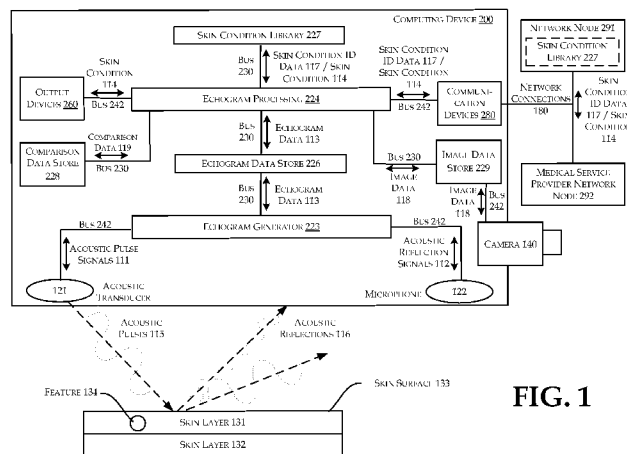


FIG. 1

(57) Abstract: Technologies adapted for using acoustic pulses to diagnose skin conditions are disclosed. A series of acoustic pulses may be directed at a skin through the speaker of a device. Acoustic reflections may be received at a microphone. The reflections may be sampled and stored as echogram data. The echogram may be analyzed to identify potential skin conditions.

WO 2011/106035 A3

INTERNATIONAL SEARCH REPORT		International application No. PCT/US10/46698		
A. CLASSIFICATION OF SUBJECT MATTER IPC: A61B 5/00(2006.01) USPC: 600/306 According to International Patent Classification (IPC) or to both national classification and IPC				
B. FIELDS SEARCHED				
Minimum documentation searched (classification system followed by classification symbols) U.S. : 600/306; 128/916				
Documentation searched other than minimum documentation to the extent that such documents are included in the fields searched				
Electronic data base consulted during the international search (name of data base and, where practicable, search terms used) Please See Continuation Sheet				
C. DOCUMENTS CONSIDERED TO BE RELEVANT				
Category *	Citation of document, with indication, where appropriate, of the relevant passages	Relevant to claim No.		
A	US 4,031,743 (KOSSOFF et al.) 28 June 1977 (28.06.1977), entire document.	1-25		
A	US 2004/0015082 A1 (VERNET) 22 January 2004 (22.01.2004), entire document.	1-25		
A	US 2007/0232962 A1 (ZUMERIS et al.) 04 October 2007 (04.10.2007), entire document.	1-25		
A	US 2008/0139900 A1 (RANDLOV et al.) 12 June 2008 (12.06.2008), entire document.	1-25		
<input type="checkbox"/> Further documents are listed in the continuation of Box C. <input type="checkbox"/> See patent family annex.				
* Special categories of cited documents: <table style="width: 100%; border: none;"> <tr> <td style="width: 50%; border: none;"> "A" document defining the general state of the art which is not considered to be of particular relevance "E" earlier application or patent published on or after the international filing date "L" document which may throw doubts on priority claim(s) or which is cited to establish the publication date of another citation or other special reason (as specified) "O" document referring to an oral disclosure, use, exhibition or other means "P" document published prior to the international filing date but later than the priority date claimed </td> <td style="width: 50%; border: none;"> "T" later document published after the international filing date or priority date and not in conflict with the application but cited to understand the principle or theory underlying the invention "X" document of particular relevance; the claimed invention cannot be considered novel or cannot be considered to involve an inventive step when the document is taken alone "Y" document of particular relevance; the claimed invention cannot be considered to involve an inventive step when the document is combined with one or more other such documents, such combination being obvious to a person skilled in the art "&" document member of the same patent family </td> </tr> </table>			"A" document defining the general state of the art which is not considered to be of particular relevance "E" earlier application or patent published on or after the international filing date "L" document which may throw doubts on priority claim(s) or which is cited to establish the publication date of another citation or other special reason (as specified) "O" document referring to an oral disclosure, use, exhibition or other means "P" document published prior to the international filing date but later than the priority date claimed	"T" later document published after the international filing date or priority date and not in conflict with the application but cited to understand the principle or theory underlying the invention "X" document of particular relevance; the claimed invention cannot be considered novel or cannot be considered to involve an inventive step when the document is taken alone "Y" document of particular relevance; the claimed invention cannot be considered to involve an inventive step when the document is combined with one or more other such documents, such combination being obvious to a person skilled in the art "&" document member of the same patent family
"A" document defining the general state of the art which is not considered to be of particular relevance "E" earlier application or patent published on or after the international filing date "L" document which may throw doubts on priority claim(s) or which is cited to establish the publication date of another citation or other special reason (as specified) "O" document referring to an oral disclosure, use, exhibition or other means "P" document published prior to the international filing date but later than the priority date claimed	"T" later document published after the international filing date or priority date and not in conflict with the application but cited to understand the principle or theory underlying the invention "X" document of particular relevance; the claimed invention cannot be considered novel or cannot be considered to involve an inventive step when the document is taken alone "Y" document of particular relevance; the claimed invention cannot be considered to involve an inventive step when the document is combined with one or more other such documents, such combination being obvious to a person skilled in the art "&" document member of the same patent family			
Date of the actual completion of the international search 21 March 2016 (21.03.2016)		Date of mailing of the international search report 29 MAR 2016		
Name and mailing address of the ISA/US Mail Stop PCT, Attn: ISA/US Commissioner for Patents P.O. Box 1450 Alexandria, Virginia 22313-1450 Facsimile No. (571) 273-3201		Authorized officer Brian Sircus Telephone No. (571) 272-2058		

INTERNATIONAL SEARCH REPORT

International application No.
PCT/US10/46698

Continuation of B. FIELDS SEARCHED Item 3:

EAST: US-PGPUB; USPAT; USOCR; FPRS; EPO; JPO; DERWENT; IBM_TDB

Search Terms: skin, echogr\$4, acoust\$4, echo, microphon\$4, melanoma, acoustic, transduc\$4, sound, mole, freckle, discover\$3, determin\$5, identif\$7, recogn\$7, diagnos\$3, classif\$7, pulse, signal, wave, photoacoust\$4, blemish, condition, mole, pimple, acne, frequency