

(19) World Intellectual Property Organization  
International Bureau



(43) International Publication Date  
22 December 2005 (22.12.2005)

PCT

(10) International Publication Number  
**WO 2005/120424 A3**

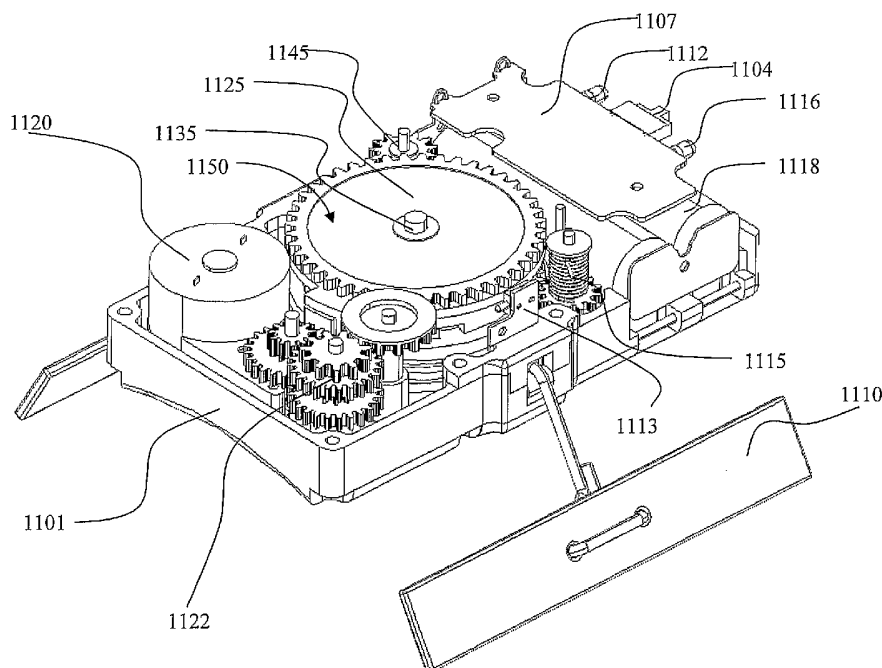
- (51) **International Patent Classification:**  
A61H 11/02 (2006.01)
- (21) **International Application Number:**  
PCT/IL2005/000445
- (22) **International Filing Date:** 1 May 2005 (01.05.2005)
- (25) **Filing Language:** English
- (26) **Publication Language:** English
- (30) **Priority Data:**  
PCT/IL2004/000487 9 June 2004 (09.06.2004) IL  
167733 29 March 2005 (29.03.2005) IL
- (63) **Related by continuation (CON) or continuation-in-part (CIP) to earlier application:**  
US PCT/IL04/00487 (CIP)  
Filed on 9 June 2004 (09.06.2004)
- (71) **Applicant (for all designated States except US):**  
**FLOWMEDIC LIMITED**; Clarendon House 2, Church Street Hamilton, HM 11 (BM).
- (72) **Inventors; and**
- (75) **Inventors/Applicants (for US only):** **ROUSSO, Benny** [IL/—]; 12 Bergson Street, 75801 Rishon LeZion (IL).  
**ELIACHAR, Eliahu** [IL/—]; 25 Yafe Nof Street, 34371

Haifa (IL). **BARAK, Chen** [IL/—]; 18 Bareket Street, 73142 Shoam (IL). **DAVID, Uri** [IL/—]; 12 Hashked, 74080 Ness Ziona (IL). **AVNI, Yuval** [IL/IL]; 3 Hamalot Street, 53259 Givatayim (IL).

- (74) **Agents:** **AGMON, Jonathan** et al.; Soroker - Agmon, Advocates & Patent Attorneys, Nolton House, 14 Shenkar Street, 46725 Herzliya Pituach (IL).
- (81) **Designated States (unless otherwise indicated, for every kind of national protection available):** AE, AG, AL, AM, AT, AU, AZ, BA, BB, BG, BR, BW, BY, BZ, CA, CH, CN, CO, CR, CU, CZ, DE, DK, DM, DZ, EC, EE, EG, ES, FI, GB, GD, GE, GH, GM, HR, HU, ID, IL, IN, IS, JP, KE, KG, KM, KP, KR, KZ, LC, LK, LR, LS, LT, LU, LV, MA, MD, MG, MK, MN, MW, MX, MZ, NA, NI, NO, NZ, OM, PG, PH, PL, PT, RO, RU, SC, SD, SE, SG, SK, SL, SM, SY, TJ, TM, TN, TR, TT, TZ, UA, UG, US (patent), UZ, VC, VN, YU, ZA, ZM, ZW.
- (84) **Designated States (unless otherwise indicated, for every kind of regional protection available):** ARIPO (BW, GH, GM, KE, LS, MW, MZ, NA, SD, SL, SZ, TZ, UG, ZM, ZW), Eurasian (AM, AZ, BY, KG, KZ, MD, RU, TJ, TM), European (AT, BE, BG, CH, CY, CZ, DE, DK, EE, ES, FI, FR, GB, GR, HU, IE, IS, IT, LT, LU, MC, NL, PL, PT, RO,

[Continued on next page]

(54) **Title:** A PORTABLE SELF-CONTAINED DEVICE FOR ENHANCING CIRCULATION



(57) **Abstract:** The present invention provides a device for enhancing circulation by intermittently tightening and relaxing a closure encircling a limb. The device comprises a continuously operating motor, at least one rotating element and a mechanism driven by the motor for intermittently rotating the rotating element in a first direction to tighten said closure and in a second opposite direction to relax said closure, thereby applying a cyclic pressure on the limb.

WO 2005/120424 A3



SE, SI, SK, TR), OAPI (BF, BJ, CF, CG, CI, CM, GA, GN, GQ, GW, ML, MR, NE, SN, TD, TG).

(88) Date of publication of the international search report:  
20 April 2006

**Published:**

- *with international search report*
- *before the expiration of the time limit for amending the claims and to be republished in the event of receipt of amendments*

*For two-letter codes and other abbreviations, refer to the "Guidance Notes on Codes and Abbreviations" appearing at the beginning of each regular issue of the PCT Gazette.*

# INTERNATIONAL SEARCH REPORT

International application No.

PCT/IL05/00445

**A. CLASSIFICATION OF SUBJECT MATTER**  
 IPC (8): A61H 11/02  
  
 USPC: 601/134,152  
 According to International Patent Classification (IPC) or to both national classification and IPC

**B. FIELDS SEARCHED**  
 Minimum documentation searched (classification system followed by classification symbols)  
 U.S. : 601/134,148-152, 41,44

Documentation searched other than minimum documentation to the extent that such documents are included in the fields searched

Electronic data base consulted during the international search (name of data base and, where practicable, search terms used)

**C. DOCUMENTS CONSIDERED TO BE RELEVANT**

Category *	Citation of document, with indication, where appropriate, of the relevant passages	Relevant to claim No.
Y	US 4,004,579 A (DEDO) 25 JANUARY 1977 (25.01.1977) see entire document	1, 13, 15, 16/15, 17/15
X	US 4,770,164 A (LACH ET AL.) 13 SEPTEMBER 1988 (13.09.1988) see entire document	1,2,4- 6.12.14.16/14.17/14.34. 35.38-42
X	WO 02/069879 A1 (WEINTRAUB) 12 SEPTEMBER 2002 (12.09.2002) see figure 3A	1-4,49-52
---		-----
Y		36,37
X	US 5,738,637 A (KELLY ET AL.) 14 APRIL 1998 (14.04.1998) see figure 9	1,40,43-45

Further documents are listed in the continuation of Box C.       See patent family annex.

* Special categories of cited documents:	"T"	later document published after the international filing date or priority date and not in conflict with the application but cited to understand the principle or theory underlying the invention
"A" document defining the general state of the art which is not considered to be of particular relevance	"X"	document of particular relevance; the claimed invention cannot be considered novel or cannot be considered to involve an inventive step when the document is taken alone
"E" earlier application or patent published on or after the international filing date	"Y"	document of particular relevance; the claimed invention cannot be considered to involve an inventive step when the document is combined with one or more other such documents, such combination being obvious to a person skilled in the art
"L" document which may throw doubts on priority claim(s) or which is cited to establish the publication date of another citation or other special reason (as specified)	"&"	document member of the same patent family
"O" document referring to an oral disclosure, use, exhibition or other means		
"P" document published prior to the international filing date but later than the priority date claimed		

Date of the actual completion of the international search: 21 February 2006 (21.02.2006)  
 Date of mailing of the international search report: 09 MAR 2006

Name and mailing address of the ISA/US:  
 Mail Stop PCT, Attn: ISA/US  
 Commissioner for Patents  
 P.O. Box 1450  
 Alexandria, Virginia 22313-1450  
 Facsimile No. (571) 273-3201

Authorized officer:  
 For Danton DeMille Virginia Libby  
 Telephone No. (571) 272-3700