



US00D367259S

# United States Patent [19]

[11] Patent Number: **Des. 367,259**

Sachs

[45] Date of Patent: **\*\*Feb. 20, 1996**

[54] **ELECTRICAL GROUND CLIP FOR METER PANEL**

Attorney, Agent, or Firm—Longacre & White

[76] Inventor: **Isaac Sachs**, 283 Newton, Dollard-des-Ormeaux, Quebec, Canada, H9A 3G1

[57] **CLAIM**

The ornamental design for an electrical ground clip for meter panel, as shown and described.

[\*\*] Term: **14 Years**

**DESCRIPTION**

[21] Appl. No.: **15,943**

FIG. 1 is a right side, top and from perspective view of an electrical ground clip for meter panel, showing my new design;

[22] Filed: **Dec. 2, 1993**

FIG. 2 is a partly-fragmented left side elevational view thereof;

**Related U.S. Application Data**

[63] Continuation-in-part of Ser. No. 650,721, Feb. 5, 1991, abandoned.

FIG. 3 is a partly-fragmented bottom plan view thereof;

[52] U.S. Cl. .... **D13/133**; D13/151; D13/149

FIG. 4 is a top and front perspective view showing details of the electrical ground clip illustrated in FIG. 1;

[58] **Field of Search** ..... D13/149, 151, D13/154, 133; D8/349, 354, 356, 366; 174/40 CC, 51, 52.1; 439/92, 95, 97, 98, 801, 813; 248/27.1

FIG. 5 is a top plan view thereof;

FIG. 6 is a front elevational view thereof;

FIG. 7 is a right side elevational view thereof;

FIG. 8 is a left side elevational view thereof;

FIG. 9 is a rear elevational view thereof;

FIG. 10 is a bottom plan view thereof;

FIG. 11 is a sectional view taken along line 11—11 of FIG. 5;

FIG. 12 is a top and front perspective view showing details of an electrical ground clip according to a second embodiment of my new design;

FIG. 13 is a top plan view thereof;

FIG. 14 is a front elevational view thereof;

FIG. 15 is a right side elevational view thereof;

FIG. 16 is a left side elevational view thereof;

FIG. 17 is a rear elevational view thereof; and,

FIG. 18 is a bottom plan view thereof.

The broken line showing is included for the purpose of illustrating environmental structure only and forms no part of the claimed design.

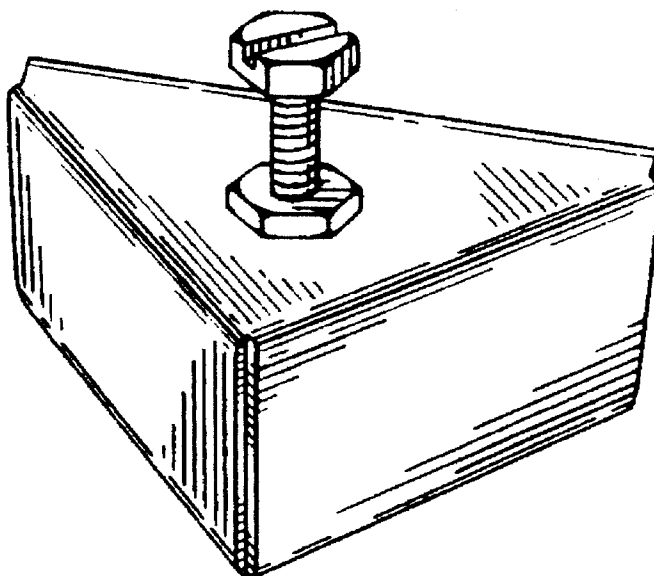
[56] **References Cited**

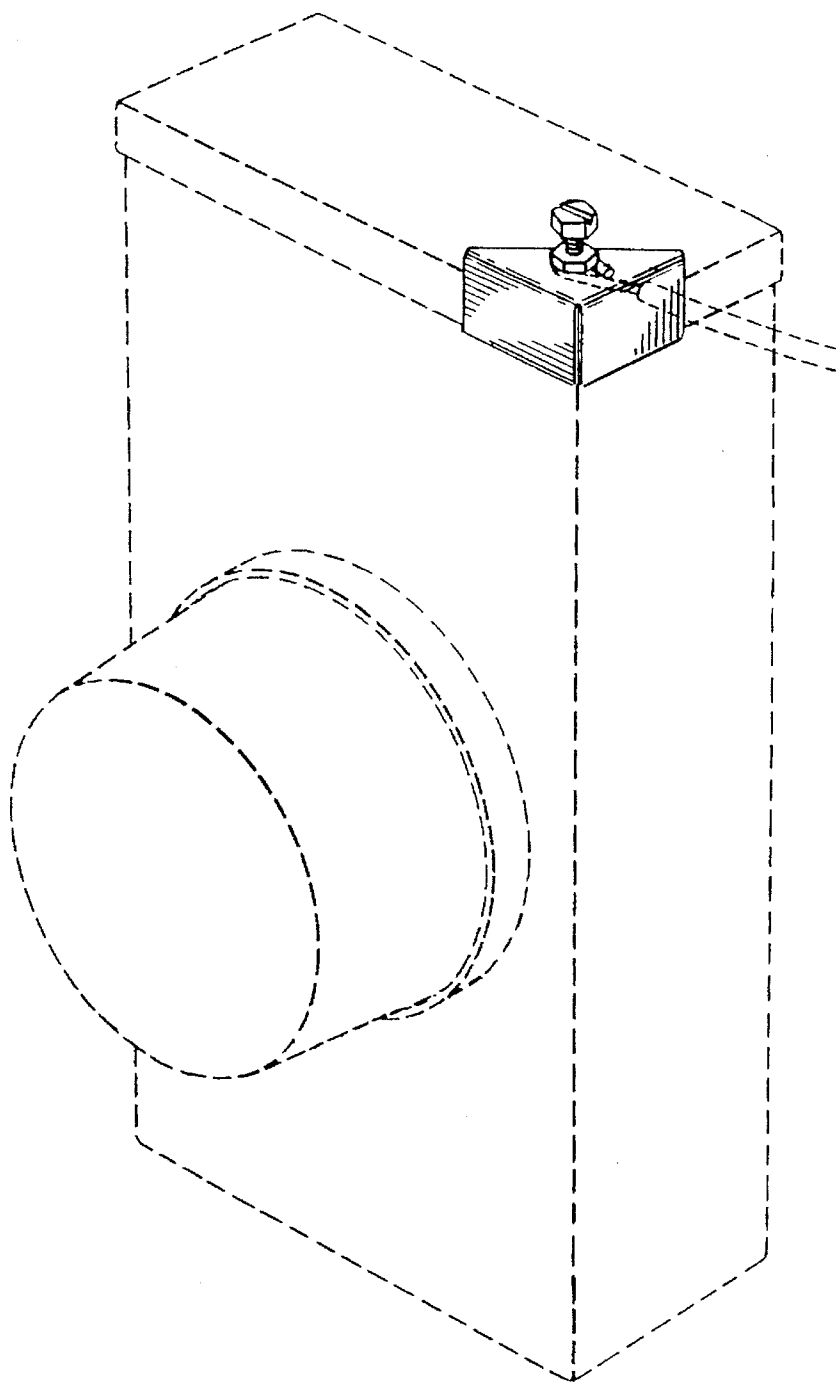
**U.S. PATENT DOCUMENTS**

D. 47,283	5/1915	Eagan	.....	D8/381	X
D. 236,251	8/1975	Cunningham	.....	D8/354	
939,005	11/1909	Goedeke	.....	248/300	X
1,380,518	6/1921	Bellig	.....	248/300	X
1,590,569	6/1926	Fisk	.....	174/68.3	X
2,250,977	7/1941	Walker	.....	220/3.8	
2,321,391	6/1943	Kamin	.....	312/140	X
4,361,369	11/1982	Zwillich	.....	312/140	X
4,828,504	5/1989	Franks, Jr.	.....	439/92	
4,904,193	2/1990	Graves	.....	439/814	X
5,006,074	4/1991	Franks, Jr.	.....	439/92	
5,033,971	7/1991	Franks, Jr.	.....	439/92	

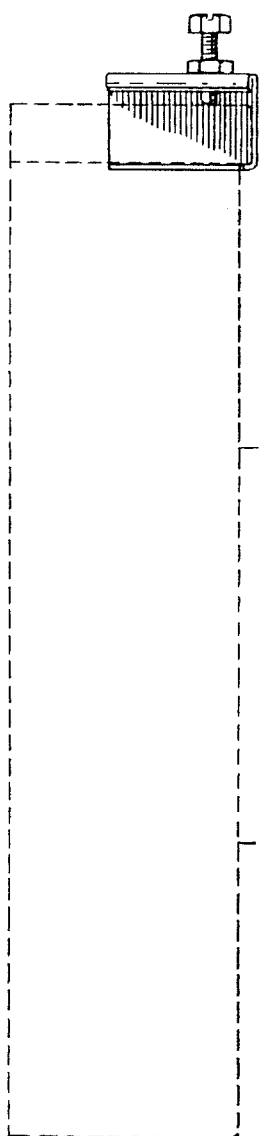
Primary Examiner—Joel Sincavage

**1 Claim, 4 Drawing Sheets**

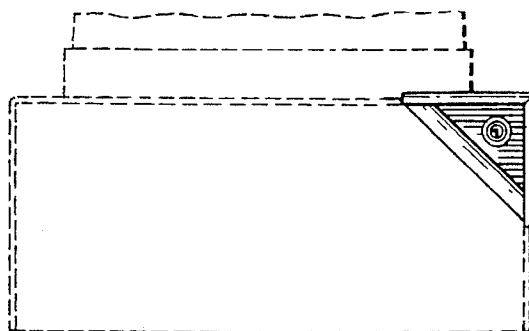




*Fig. 1*

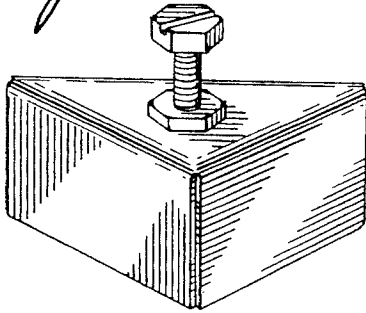


*Fig. 2*



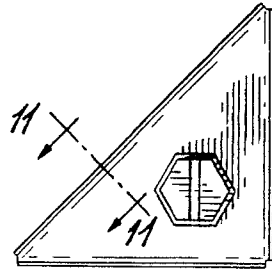
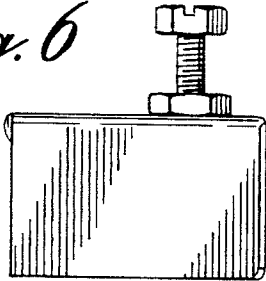
*Fig. 3*

*Fig. 4*

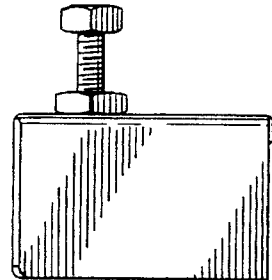
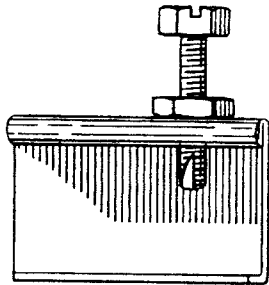


*Fig. 11*

*Fig. 6*

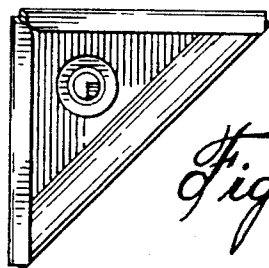


*Fig. 5*

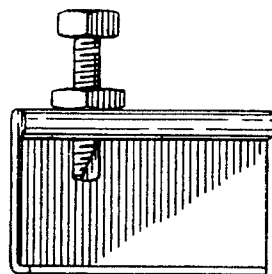


*Fig. 7*

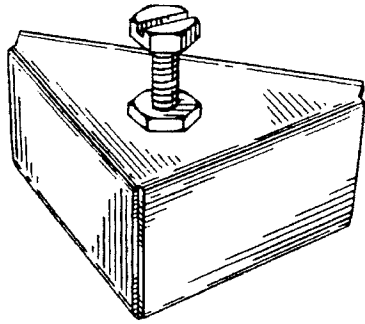
*Fig. 8*



*Fig. 10*

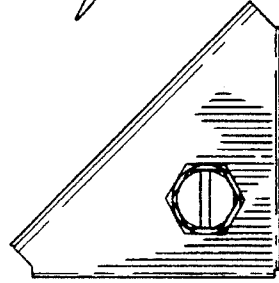


*Fig. 9*

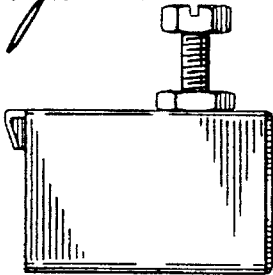


*Fig. 12*

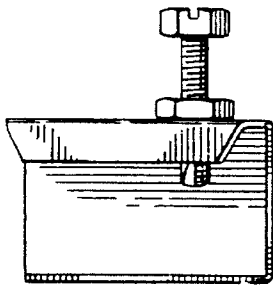
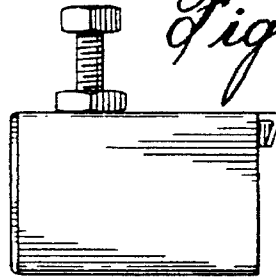
*Fig. 13*



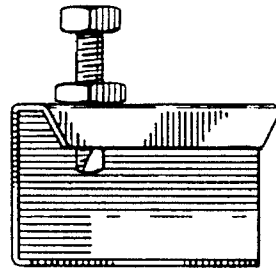
*Fig. 14*



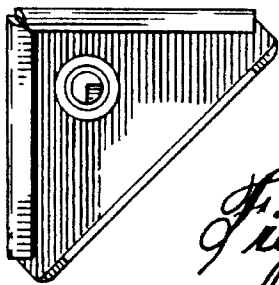
*Fig. 15*



*Fig. 16*



*Fig. 17*



*Fig. 18*