

(19) World Intellectual Property Organization
International Bureau



(43) International Publication Date
23 March 2006 (23.03.2006)

PCT

(10) International Publication Number
WO 2006/031287 A3

- (51) International Patent Classification:
B22D 17/24 (2006.01) B22D 33/04 (2006.01)
B22D 19/00 (2006.01)
- (21) International Application Number:
PCT/US2005/024847
- (22) International Filing Date: 14 July 2005 (14.07.2005)
- (25) Filing Language: English
- (26) Publication Language: English
- (30) Priority Data:
10/936,976 9 September 2004 (09.09.2004) US
- (71) Applicant (for all designated States except US): GENERAL MOTORS CORPORATION [US/US]; Legal Staff-Mail Code 482-C23-B21, P.O. Box 300, Detroit, MI 48265-3000 (US).
- (72) Inventor: NEWCOMB, Thomas, P.; 348 Koerber Drive, Defiance, OH 43512 (US).
- (74) Agent: ELLERBROCK, Charles, H.; General Motors Corporation, Legal Staff-Mail Code 482-C23-B21, P.O.Box 300, Detroit, MI 48265-3000 (US).

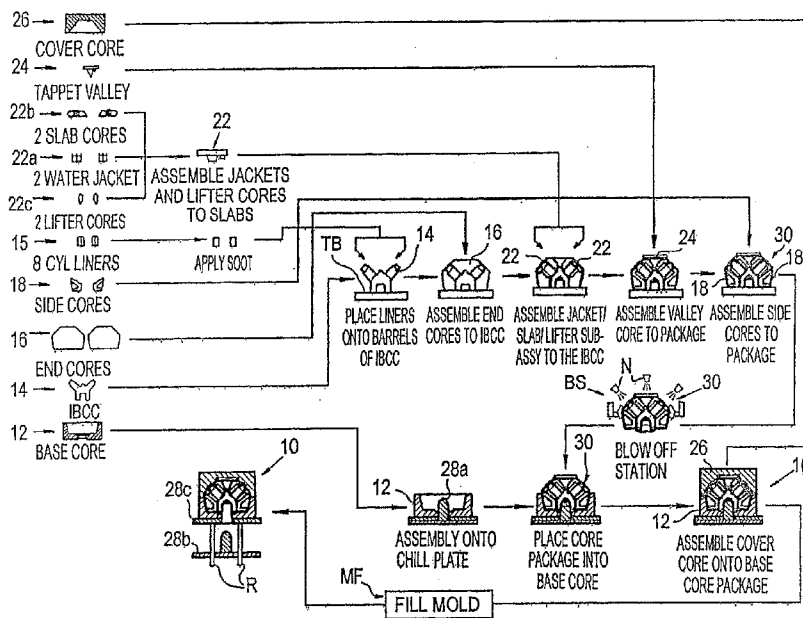
- (81) Designated States (unless otherwise indicated, for every kind of national protection available): AE, AG, AL, AM, AT, AU, AZ, BA, BB, BG, BR, BW, BY, BZ, CA, CH, CN, CO, CR, CU, CZ, DE, DK, DM, DZ, EC, EE, EG, ES, FI, GB, GD, GE, GH, GM, HR, HU, ID, IL, IN, IS, JP, KE, KG, KM, KP, KR, KZ, LC, LK, LR, LS, LT, LU, LV, MA, MD, MG, MK, MN, MW, MX, MZ, NA, NG, NI, NO, NZ, OM, PG, PH, PL, PT, RO, RU, SC, SD, SE, SG, SK, SL, SM, SY, TJ, TM, TN, TR, TT, TZ, UA, UG, US, UZ, VC, VN, YU, ZA, ZM, ZW.
- (84) Designated States (unless otherwise indicated, for every kind of regional protection available): ARIPO (BW, GH, GM, KE, LS, MW, MZ, NA, SD, SL, SZ, TZ, UG, ZM, ZW), Eurasian (AM, AZ, BY, KG, KZ, MD, RU, TJ, TM), European (AT, BE, BG, CH, CY, CZ, DE, DK, EE, ES, FI, FR, GB, GR, HU, IE, IS, IT, LT, LU, LV, MC, NL, PL, PT, RO, SE, SI, SK, TR), OAPI (BF, BJ, CF, CG, CI, CM, GA, GN, GQ, GW, ML, MR, NE, SN, TD, TG).

Published:
— with international search report

(88) Date of publication of the international search report:
18 May 2007

For two-letter codes and other abbreviations, refer to the "Guidance Notes on Codes and Abbreviations" appearing at the beginning of each regular issue of the PCT Gazette.

(54) Title: CYLINDER BORE LINERS FOR CAST ENGINE CYLINDER BLOCKS



(57) Abstract: A cast-in-place cylinder bore liner (15) is disclosed for use in sand casting of engine cylinder blocks, the cylinder bore liner (15) having a protuberant portion (60) adjacent a first end (61) thereof, whereby accuracy in the positioning of cast-in-place bore liners (15) is maximized.

WO 2006/031287 A3

INTERNATIONAL SEARCH REPORT

International application No.

PCT/US05/24847

A. CLASSIFICATION OF SUBJECT MATTER

IPC: B22D 17/24(2006.01),19/00(2006.01),33/04(2006.01).

USPC: 164/332,333,334,137,9,11,30,370

According to International Patent Classification (IPC) or to both national classification and IPC

B. FIELDS SEARCHED

Minimum documentation searched (classification system followed by classification symbols)

U.S. : 164/332, 333, 334, 137, 9, 11, 30, 370

Documentation searched other than minimum documentation to the extent that such documents are included in the fields searched

Electronic data base consulted during the international search (name of data base and, where practicable, search terms used)

C. DOCUMENTS CONSIDERED TO BE RELEVANT

Category *	Citation of document, with indication, where appropriate, of the relevant passages	Relevant to claim No.
Y	US 2004/0099398 A1 (MEYER) 27 May 2004, see entire document.	1-18
Y	US 3,382,857 A (FOSTER et al.) 14 May 1968, see col. 1, lines 70+.	1-18
Y,E	US 6,942,007 B2 (MEYER) 13 September 2005, see col. 3, lines 37+.	1-18
Y	US 5,771,955 A (HELGESEN et al.) 30 June 1998, see col. 3, lines 18+.	1-18
Y	US 6,615,901 B2 (KAMINSKI et al.) 09 September 2003, see col. 4, lines 31+.	1-18

Further documents are listed in the continuation of Box C.

See patent family annex.

* Special categories of cited documents:		
"A"	document defining the general state of the art which is not considered to be of particular relevance	"T" later document published after the international filing date or priority date and not in conflict with the application but cited to understand the principle or theory underlying the invention
"E"	earlier application or patent published on or after the international filing date	"X" document of particular relevance; the claimed invention cannot be considered novel or cannot be considered to involve an inventive step when the document is taken alone
"L"	document which may throw doubts on priority claim(s) or which is cited to establish the publication date of another citation or other special reason (as specified)	"Y" document of particular relevance; the claimed invention cannot be considered to involve an inventive step when the document is combined with one or more other such documents, such combination being obvious to a person skilled in the art
"O"	document referring to an oral disclosure, use, exhibition or other means	"&" document member of the same patent family
"P"	document published prior to the international filing date but later than the priority date claimed	

Date of the actual completion of the international search

11 August 2006 (11.08.2006)

Date of mailing of the international search report

20 NOV 2006

Name and mailing address of the ISA/US

Mail Stop PCT, Attn: ISA/US
Commissioner for Patents
P.O. Box 1450
Alexandria, Virginia 22313-1450

Facsimile No. (571) 273-3201

Authorized officer

WILLIAM KRZYNSKI

Telephone No. 571 272-1700