



US00D78551S

(12) **United States Design Patent**  
**Farinelle et al.**

(10) **Patent No.:** **US D785,551 S**

(45) **Date of Patent:** **\*\* May 2, 2017**

- (54) **TIRE**
- (71) Applicant: **The Goodyear Tire & Rubber Company, Akron, OH (US)**
- (72) Inventors: **Corentin Eric Ghislain Farinelle, Breuvanne (BE); Jean-Julien Edouard Ghislain Krier, Bastogne (BE); Peter Johann Cornelius Maus, Bullingen (BE)**
- (73) Assignee: **The Goodyear Tire & Rubber Company, Akron, OH (US)**
- (\*\*) Term: **15 Years**
- (21) Appl. No.: **29/539,462**
- (22) Filed: **Sep. 15, 2015**
- (51) **LOC (10) Cl.** ..... **12-15**
- (52) **U.S. Cl.**  
USPC ..... **D12/588**
- (58) **Field of Classification Search**  
USPC ..... D12/559, 564, 585, 586, 588, 590, 591, D12/594, 595, 598, 600, 601, 602, 603  
CPC .. B60C 11/03; B60C 11/0306; B60C 11/0388  
See application file for complete search history.
- (56) **References Cited**

**U.S. PATENT DOCUMENTS**

D370,439 S	6/1996	Feider et al. ....	D12/141
D383,713 S	9/1997	Grosskopf .....	D12/146
D384,313 S	9/1997	Harden, Jr. ....	D12/147
D385,235 S	10/1997	Young .....	D12/141
D388,030 S	12/1997	Schuster .....	D12/142
D390,510 S	2/1998	Stone et al. ....	D12/143
D402,943 S	12/1998	Albert et al. ....	D12/147
D414,446 S	9/1999	Kemp, Jr. ....	D12/141
D414,725 S	10/1999	Kemp, Jr. ....	D12/143
D451,438 S	12/2001	Galante et al. ....	D12/146
D451,860 S	12/2001	Schuster et al. ....	D12/147
D464,025 S	10/2002	Okano .....	D12/588

D472,204 S	3/2003	Kemp, Jr. ....	D12/588
D481,992 S	11/2003	Harden, Jr. et al. ....	D12/595
D554,053 S	10/2007	Feider et al. ....	D12/588

(Continued)

*Primary Examiner* — Robert M Spear

(74) *Attorney, Agent, or Firm* — Robert N. Lipsik

(57) **CLAIM**

The ornamental design for a tire, as shown and described.

**DESCRIPTION**

FIG. 1 is a perspective view of a tire showing our design, it being understood that the pattern repeats uniformly throughout the circumference of the tread;

FIG. 2 is a front elevational view thereof;

FIG. 3 is a right side elevational view thereof; the opposite side elevational view being identical thereto;

FIG. 4 is an enlarged fragmentary front elevational view thereof;

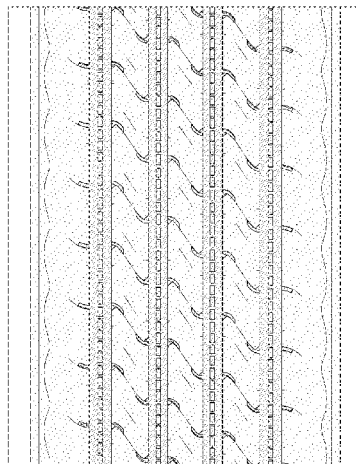
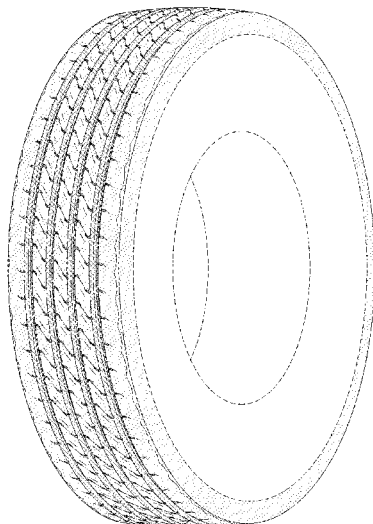
FIG. 5 is a perspective view of a second embodiment of a tire showing our new design, it being understood that the pattern repeats uniformly throughout the circumference of the tread and that the opposite side view is identical thereto; and,

FIG. 6 is a front elevational view of a second embodiment, it being understood that an enlarged fragmentary view thereof would be substantially identical to that shown in FIG. 4, with the exception of the inclusion of the sidewall in solid lines.

In the drawings, the broken lines showing of the sidewall, inner bead and the peripheral boundary between the tire tread and the sidewall in FIGS. 1 through 4 depict environmental subject matter and form no part of the claimed design.

The dark stippled surface shading represents the recessed portion of the tread grooves having a depth as best shown in FIG. 2.

**1 Claim, 6 Drawing Sheets**



(56)

**References Cited**

## U.S. PATENT DOCUMENTS

D555,081 S	11/2007	Feider et al. ....	D12/588
D592,589 S	5/2009	Dixon et al. ....	D12/600
D598,370 S	8/2009	Beha .....	D12/602
D604,226 S	11/2009	Scheuren .....	D12/553
D604,230 S	11/2009	Brown et al. ....	D12/588
D605,107 S	12/2009	Ludwig et al. ....	D12/588
D605,108 S	12/2009	Brown et al. ....	D12/588
D609,169 S	2/2010	Feider .....	D12/588
D609,170 S	2/2010	Feider et al. ....	D12/588
D609,175 S	2/2010	Feider et al. ....	D12/600
D613,680 S	4/2010	Dixon et al. ....	D12/588
D635,915 S	4/2011	Hamada .....	D12/588
D642,511 S	8/2011	Strader et al. ....	D12/587
D674,740 S	1/2013	Mathonet et al. ....	D12/588
D674,741 S	1/2013	Mathonet et al. ....	D12/588
D713,782 S	9/2014	Krier et al. ....	D12/583
D730,273 S	5/2015	Schimmoeller .....	D12/601
D732,465 S	6/2015	Yamada .....	D12/588
D740,745 S *	10/2015	Tian .....	D12/586

\* cited by examiner

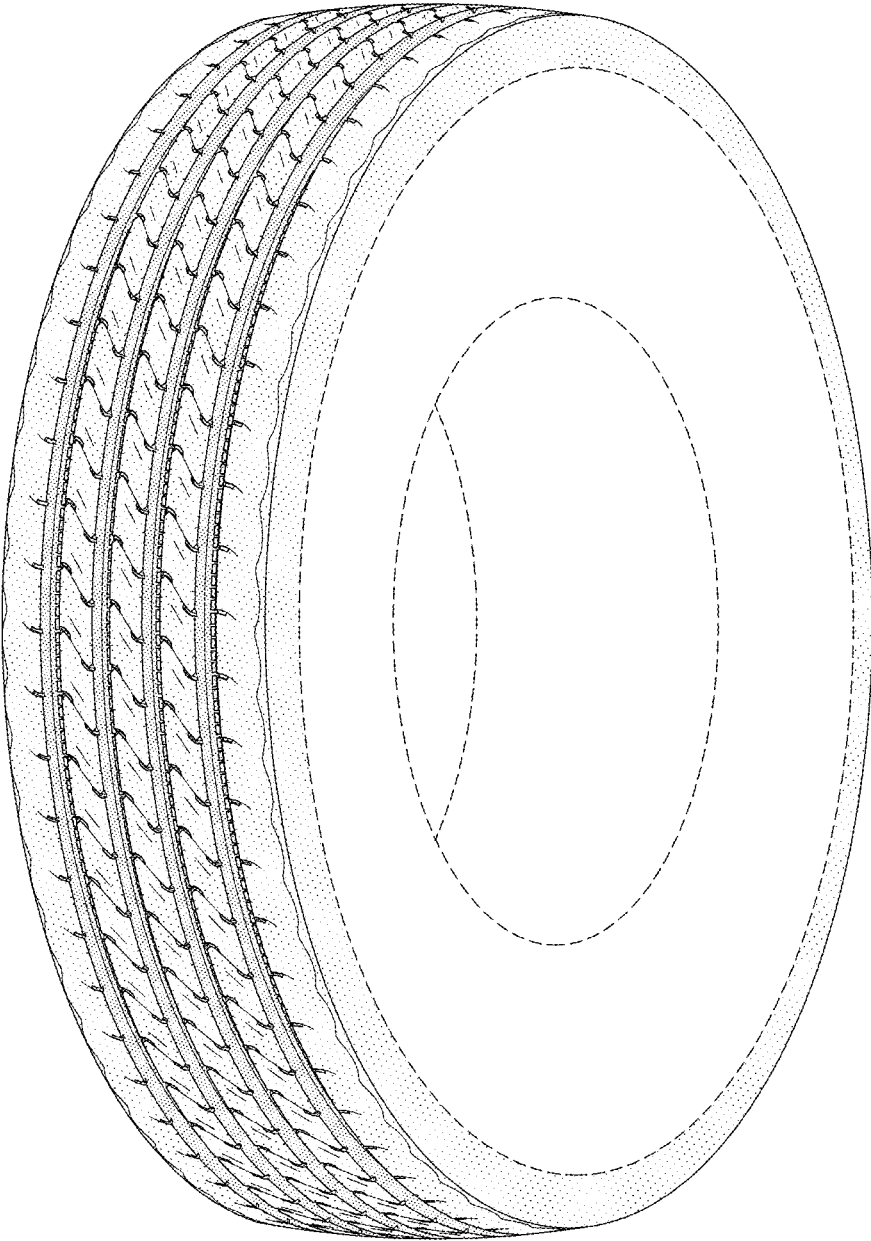


FIG-1

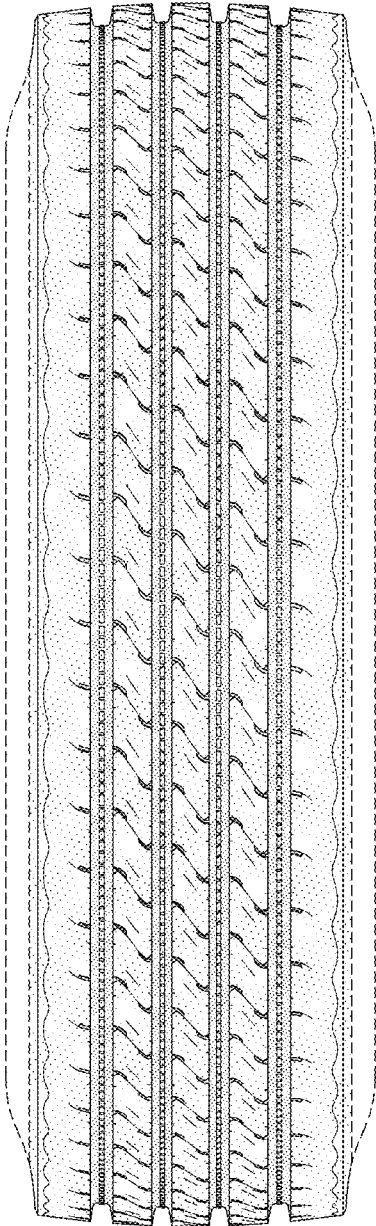


FIG-2

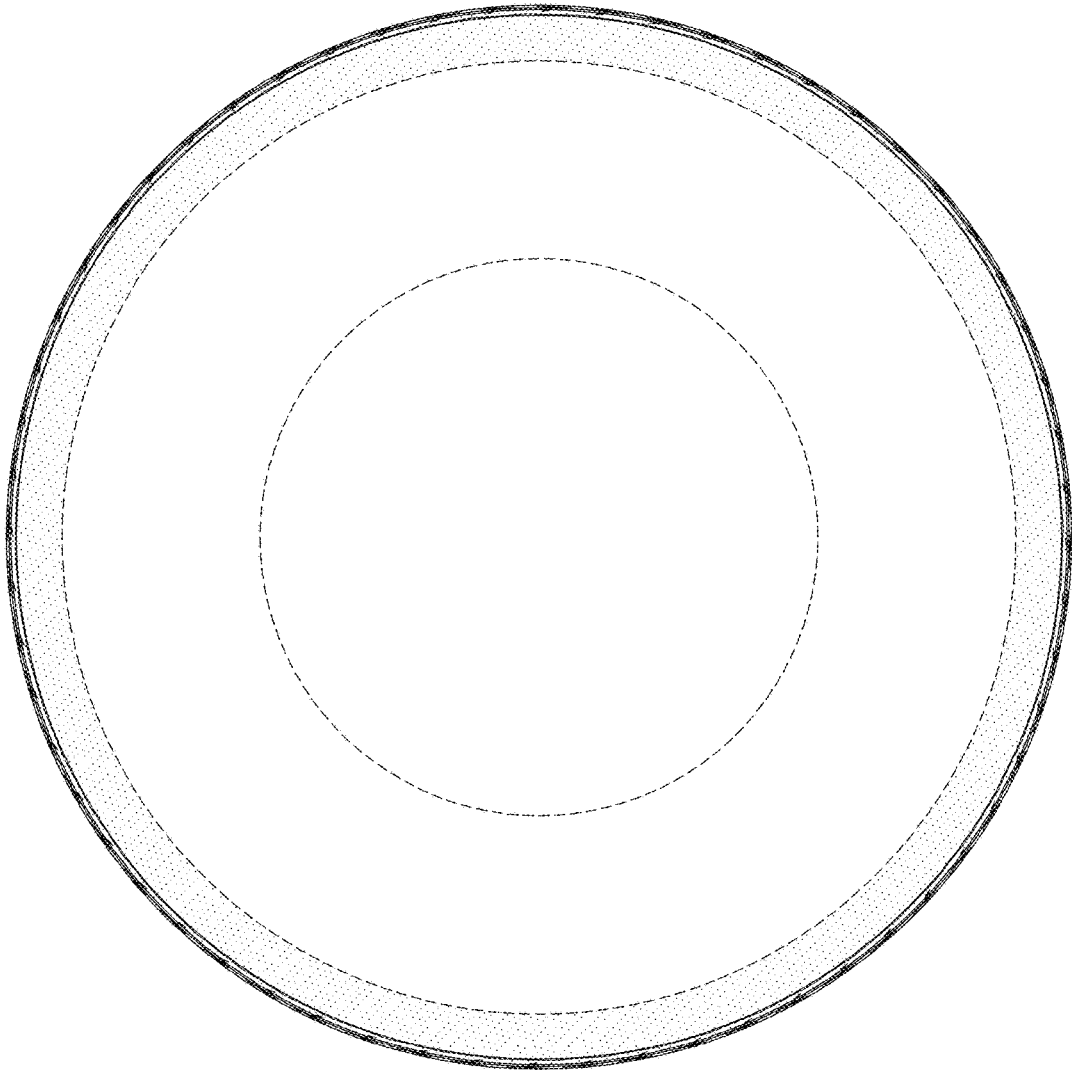


FIG-3

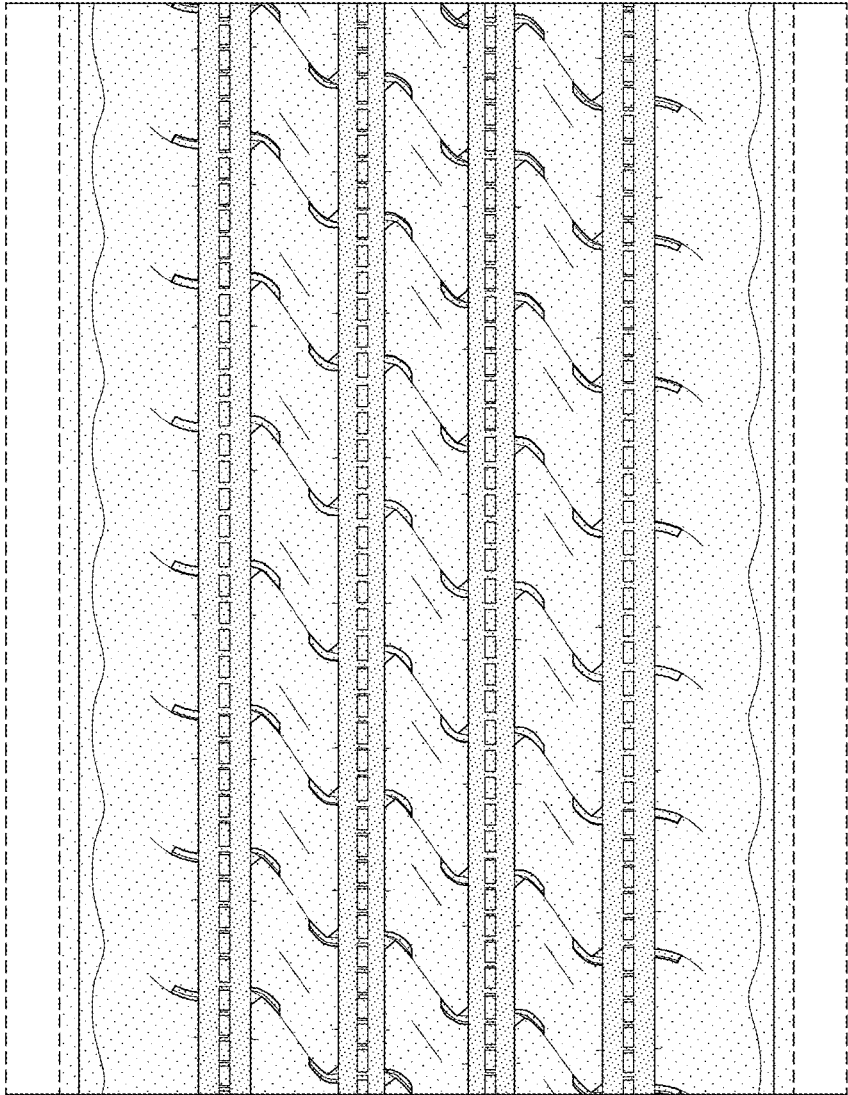


FIG-4

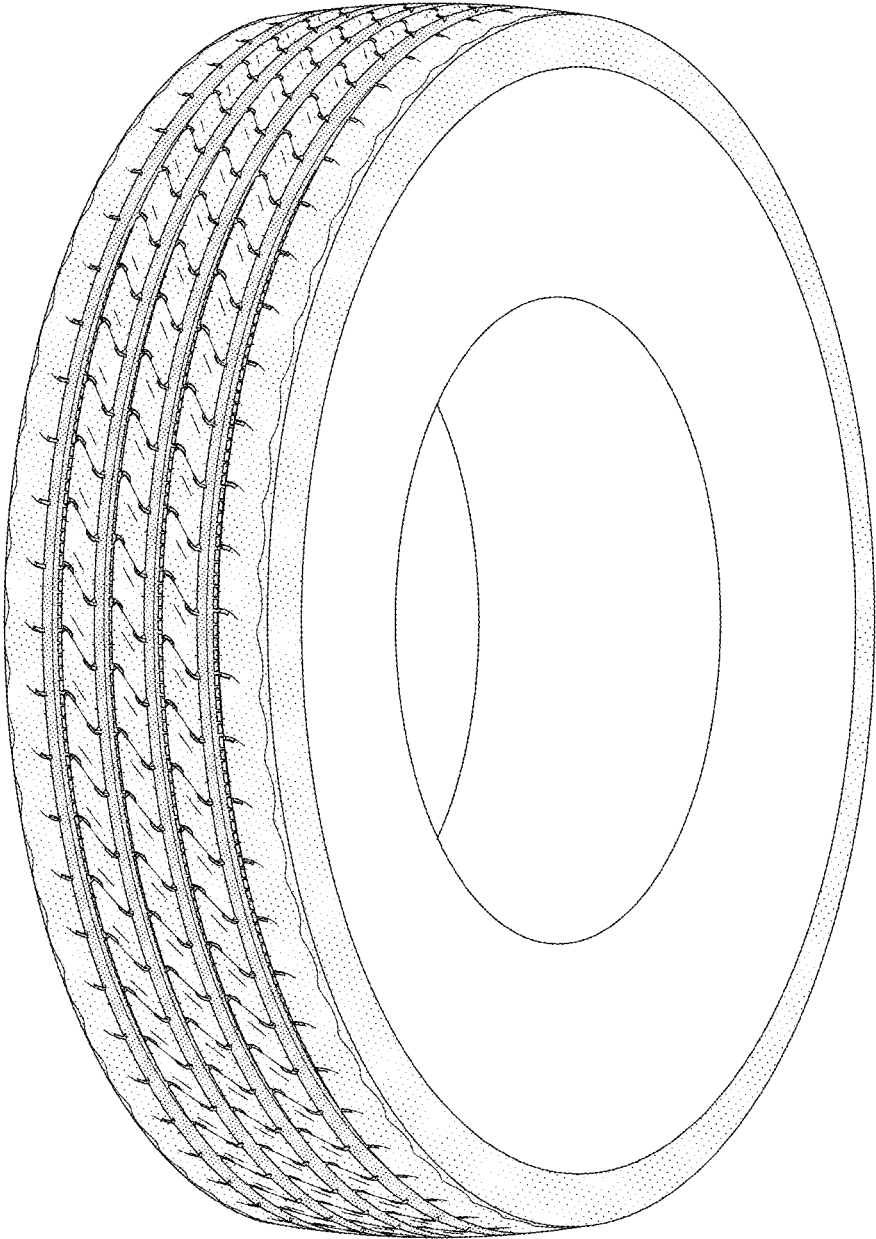


FIG-5

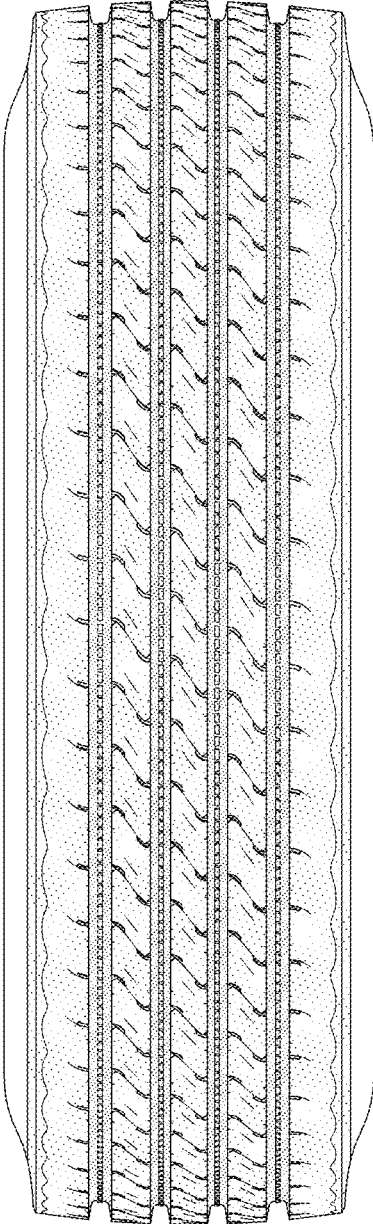


FIG-6