



US00D670296S

(12) **United States Design Patent**
Seehoff

(10) **Patent No.:** **US D670,296 S**

(45) **Date of Patent:** **** Nov. 6, 2012**

(54) **DEVICE STAND**

Primary Examiner — Angela J Lee

(75) Inventor: **Gary Stanley Seehoff**, Encino, CA (US)

(73) Assignee: **Evriholder Products, LLC**, Anaheim, CA (US)

(**) Term: **14 Years**

(21) Appl. No.: **29/416,632**

(22) Filed: **Mar. 24, 2012**

(51) **LOC (9) Cl.** **08-07**

(52) **U.S. Cl.** **D14/447**

(58) **Field of Classification Search** D14/447,
D14/432, 433, 434, 439, 448, 451, 452, 217,
D14/239, 250, 251, 253, 238.1; D13/107,
D13/108; D21/333; D6/300, 310, 311, 312,
D6/406.1, 406.2, 406.3, 406.4, 406.5, 406.6,
D6/419; D8/363, 373, 380

See application file for complete search history.

(56) **References Cited**

U.S. PATENT DOCUMENTS

D344,197	S	*	2/1994	Numbers	D6/419
D626,964	S	*	11/2010	Richardson et al.	D14/447
7,861,995	B2	*	1/2011	Liou	248/454
D637,583	S	*	5/2011	Beal et al.	D14/217
D639,286	S	*	6/2011	Mohoney	D14/250
D639,814	S	*	6/2011	Farris-Gilbert et al.	D14/447
D639,816	S	*	6/2011	Bau	D14/447
D644,230	S	*	8/2011	Lin	D14/447
D646,903	S	*	10/2011	Santana	D6/310
D651,213	S	*	12/2011	Magness et al.	D14/447
D656,500	S	*	3/2012	Maruyama et al.	D14/447
D659,147	S	*	5/2012	Hu et al.	D14/447
2012/0074286	A1	*	3/2012	Chou	248/346.03

* cited by examiner

(57)

CLAIM

The ornamental design for a device stand, as shown and described.

DESCRIPTION

FIG. 1 illustrates a front unfolded view of the claimed design for a device stand;

FIG. 2 illustrates a bottom unfolded view thereof;

FIG. 3 illustrates a left-side unfolded view thereof;

FIG. 4 illustrates a top unfolded view thereof;

FIG. 5 illustrates a rear unfolded view thereof;

FIG. 6 illustrates a perspective unfolded view thereof;

FIG. 7 illustrates a front first folded view thereof;

FIG. 8 illustrates a bottom first folded view thereof;

FIG. 9 illustrates a left-side first folded view thereof;

FIG. 10 illustrates a top first folded view thereof;

FIG. 11 illustrates a rear first folded view thereof;

FIG. 12 illustrates a perspective first folded view thereof;

FIG. 13 illustrates a front second folded view thereof;

FIG. 14 illustrates a rear second folded view thereof;

FIG. 15 illustrates a left-side second folded view thereof;

FIG. 16 illustrates a rear second folded view thereof;

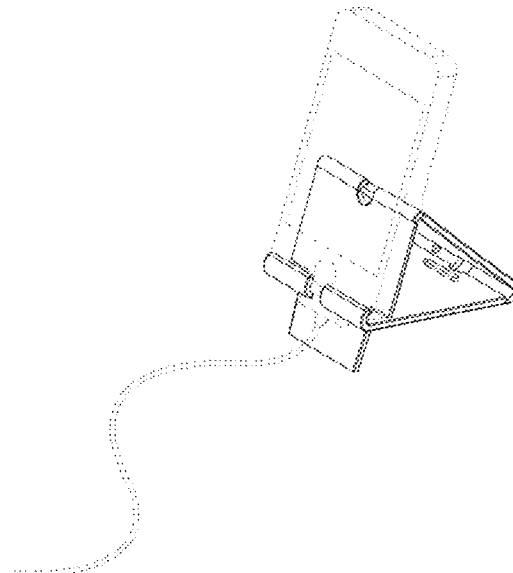
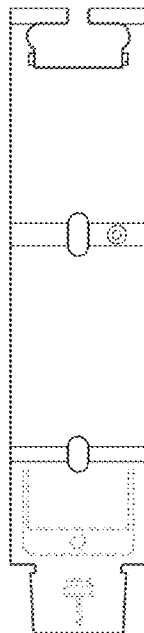
FIG. 17 illustrates a third side second folded view thereof;

FIG. 18 illustrates a perspective second folded view thereof; and,

FIG. 19 illustrates a perspective second folded view thereof shown with an exemplar device outline.

The broken lines show example markings and an example device are for illustrative purposes only and do not form part of the claimed design.

1 Claim, 19 Drawing Sheets



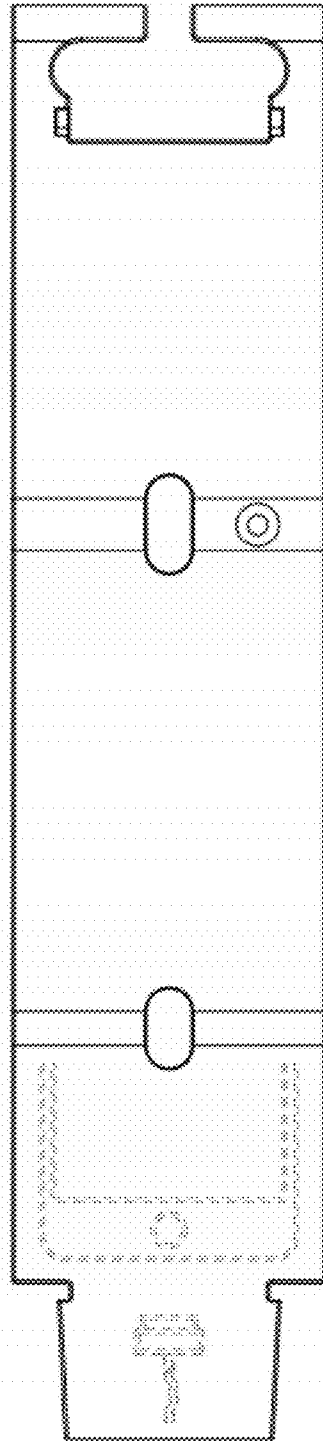


FIG 1

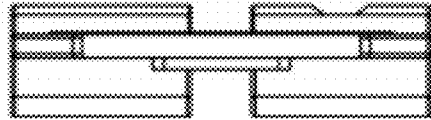


FIG 2

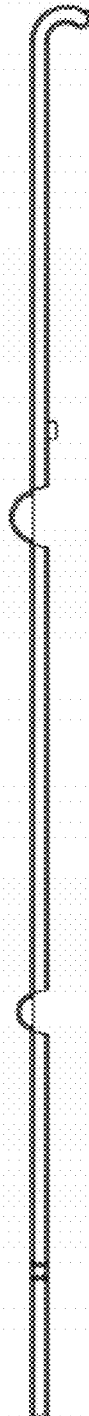


FIG 3

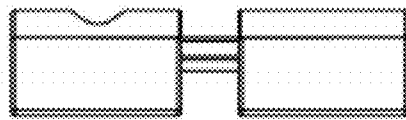


FIG 4

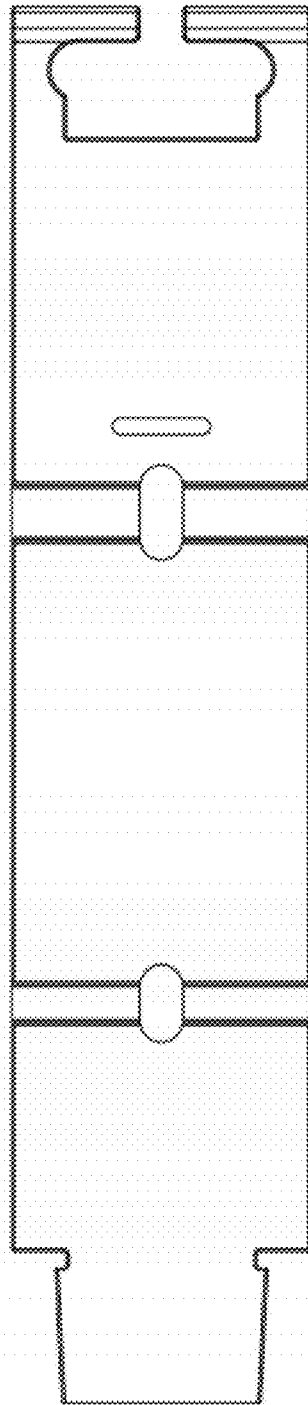


FIG 5

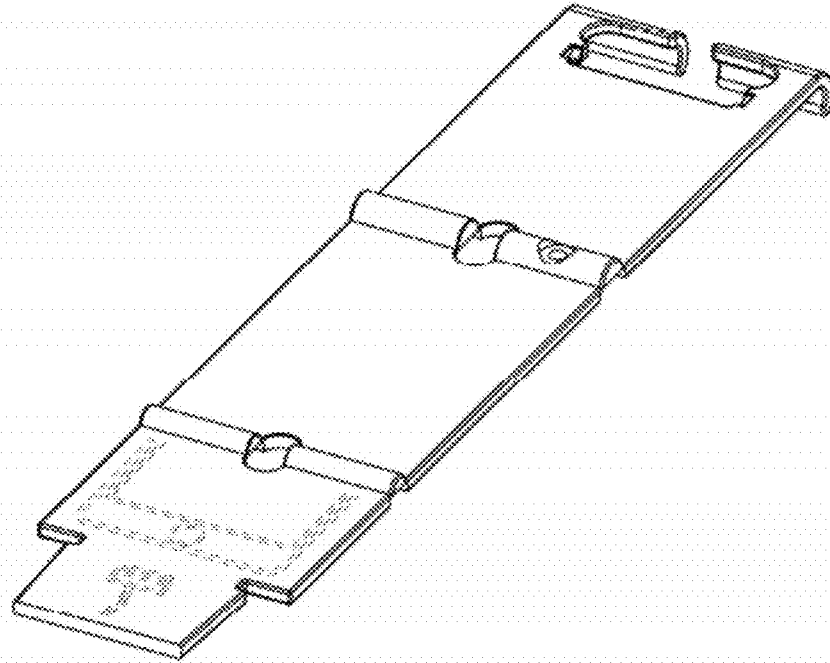


FIG 6

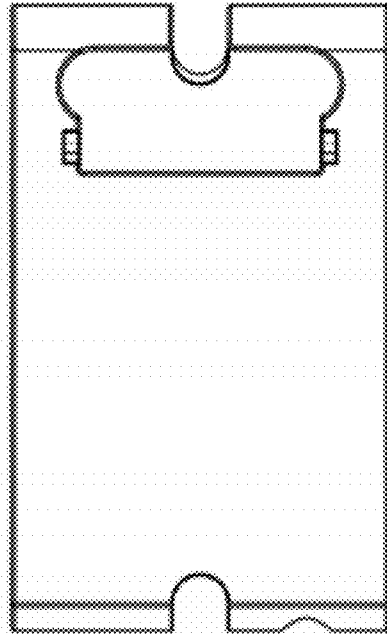


FIG 7

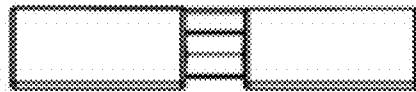


FIG 8

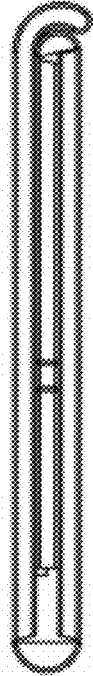


FIG 9

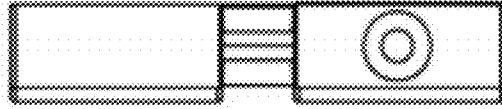


FIG. 10

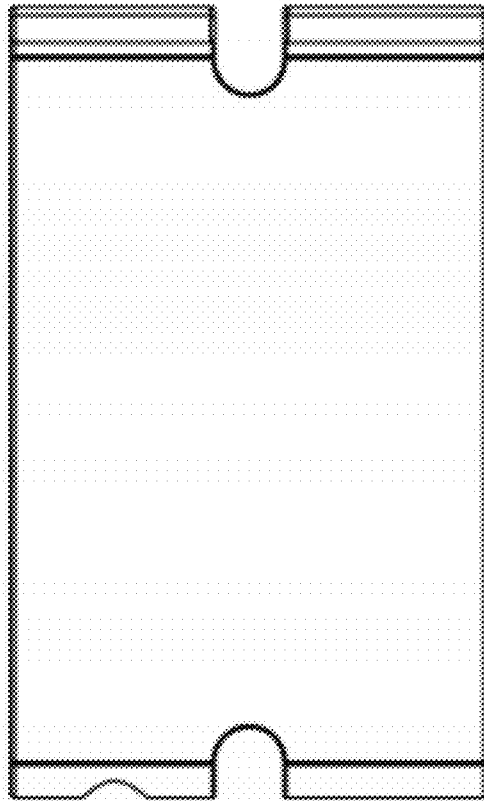


FIG. 11

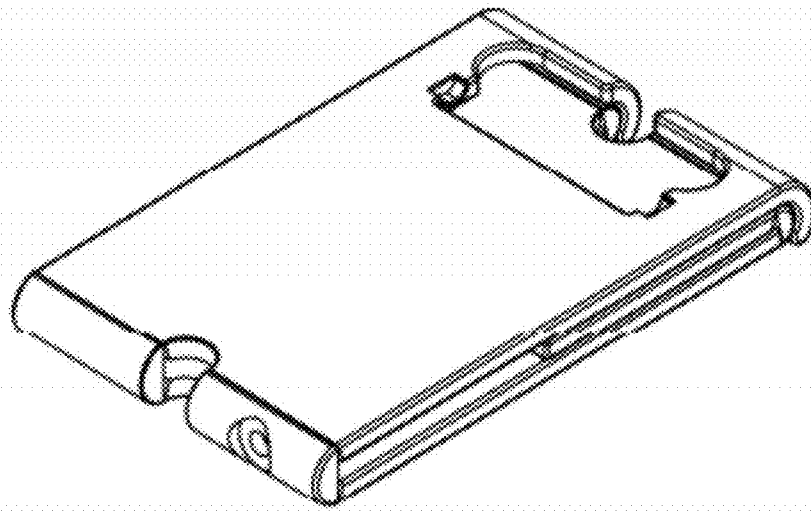


FIG. 12

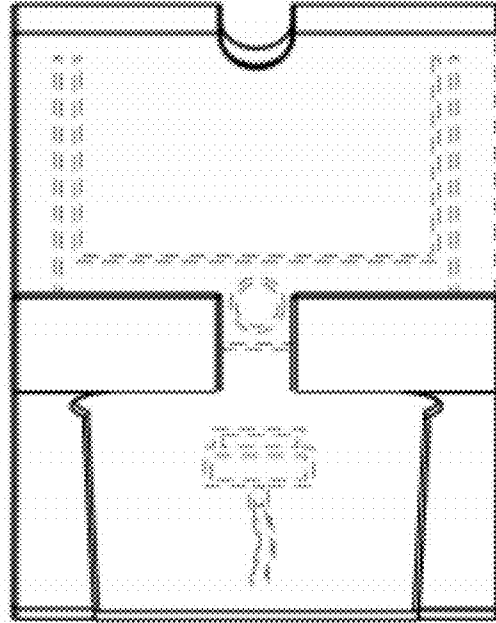


FIG. 13

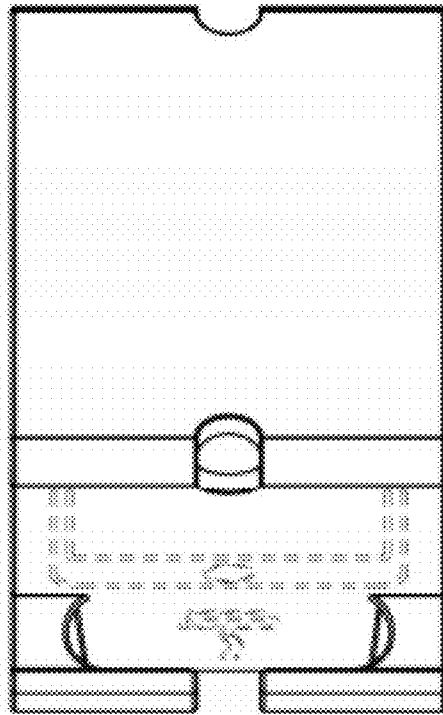


FIG. 14

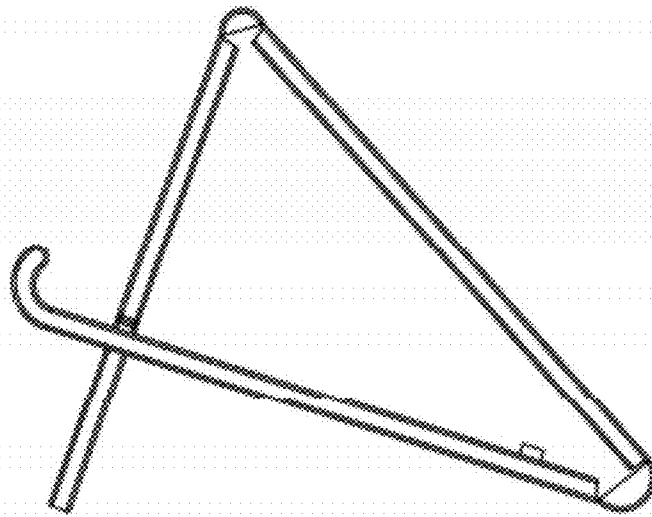


FIG. 15

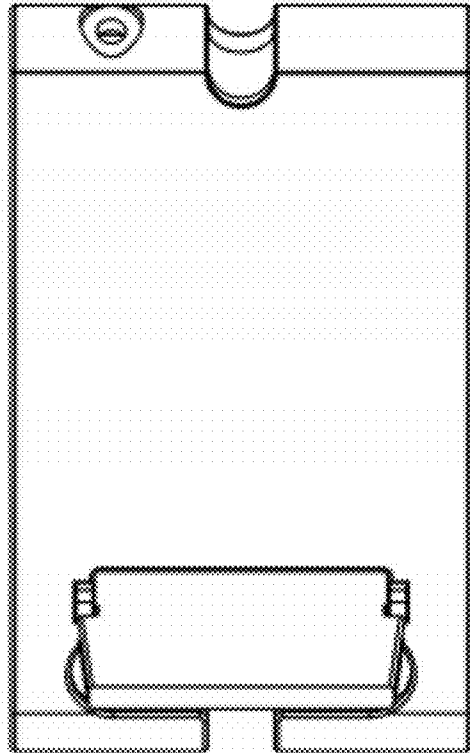


FIG. 16

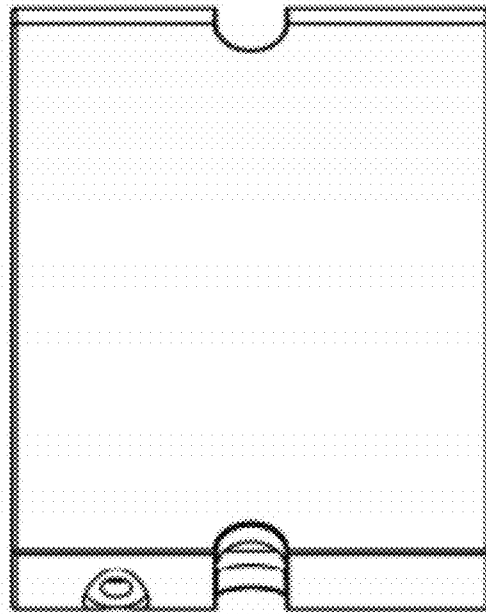


FIG. 17

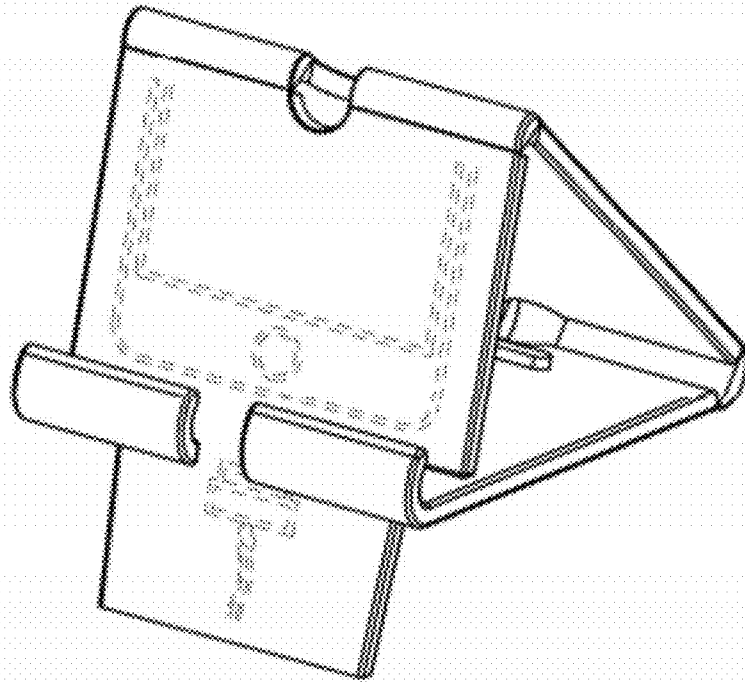


FIG. 18

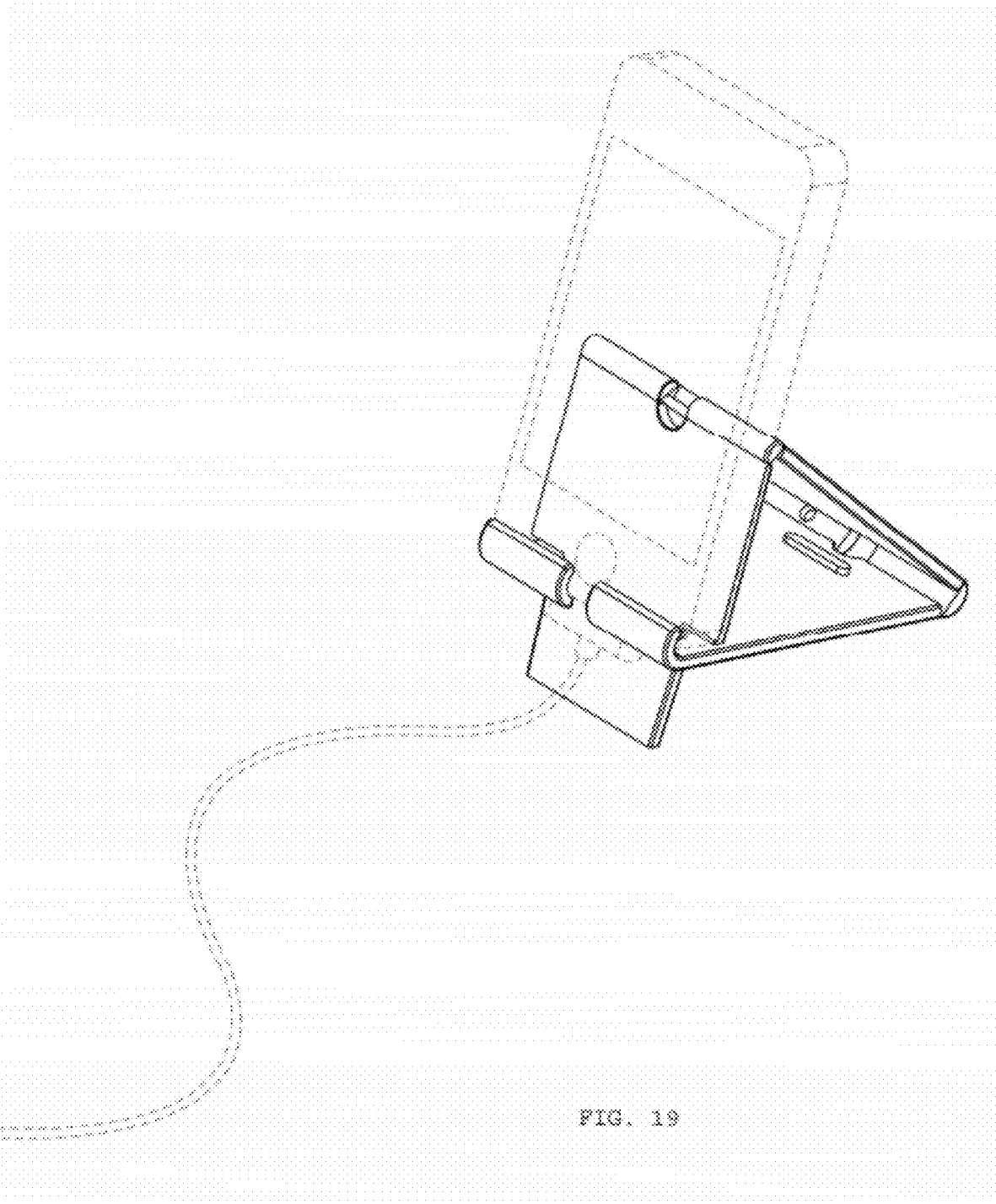


FIG. 19