



US00D709795S

(12) **United States Design Patent**
Dear

(10) **Patent No.:** **US D709,795 S**

(45) **Date of Patent:** **** Jul. 29, 2014**

(54) **SOLAR POWERED ROTATING CRYSTAL**

(71) Applicant: **David Dear**, Westport, CT (US)

(72) Inventor: **David Dear**, Westport, CT (US)

(**) Term: **14 Years**

(21) Appl. No.: **29/438,378**

(22) Filed: **Nov. 29, 2012**

(51) **LOC (10) Cl.** **11-02**

(52) **U.S. Cl.**
USPC **D11/131**

(58) **Field of Classification Search**
USPC D11/131, 117, 121; D13/102, 184, 199;
D20/21; 40/406, 407; 136/230, 245
See application file for complete search history.

(56) **References Cited**

U.S. PATENT DOCUMENTS

4,764,850	A *	8/1988	Albanese	362/35
5,222,805	A *	6/1993	Schonbek et al.	362/405
5,232,105	A *	8/1993	Gregg	211/113
5,237,764	A *	8/1993	Gray	40/473
5,247,491	A *	9/1993	Kwiatkowski	368/79
5,579,163	A *	11/1996	Peterson	359/591
5,718,962	A *	2/1998	Walling	428/99

6,250,798	B1 *	6/2001	Brainard et al.	368/180
D468,661	S *	1/2003	Dear	D11/131
6,592,423	B1 *	7/2003	Boyle et al.	446/175
6,644,139	B2 *	11/2003	Liu	74/421 A
7,153,022	B2	12/2006	Dear	
D567,752	S *	4/2008	Jost	D13/102
7,909,468	B2 *	3/2011	Lloyd	353/50

* cited by examiner

Primary Examiner — Michael A Pratt

Assistant Examiner — Michelle E Wilson

(74) *Attorney, Agent, or Firm* — Cascio & Zervas

(57) **CLAIM**

The ornamental design for a solar powered rotating crystal, as shown and described.

DESCRIPTION

FIG. 1 is a front elevational view of a solar powered rotating crystal showing my design;

FIG. 2 is a rear elevational view thereof;

FIG. 3 is a right side elevational view thereof;

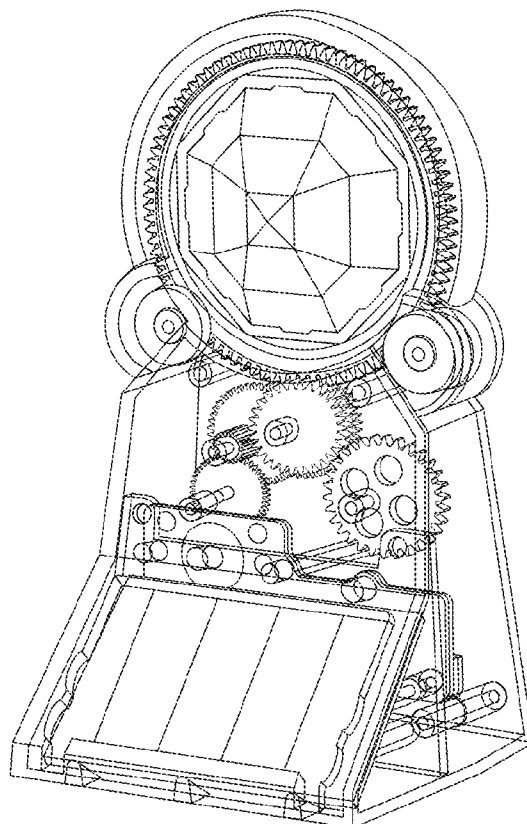
FIG. 4 is a left side elevational view thereof;

FIG. 5 is a top plan view thereof;

FIG. 6 is a bottom plan view thereof; and,

FIG. 7 is a perspective view thereof.

1 Claim, 3 Drawing Sheets



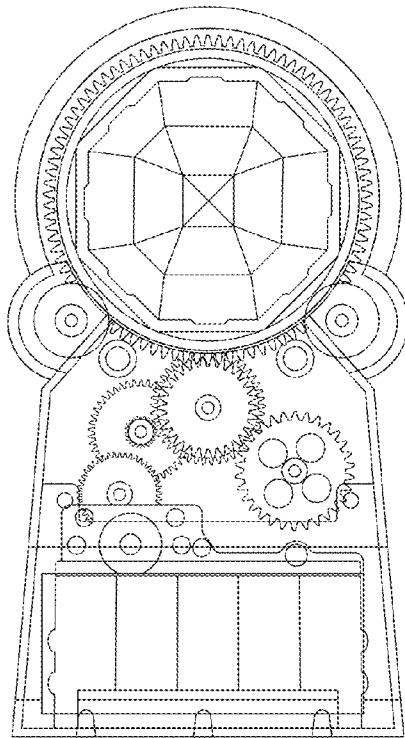


FIG. 1

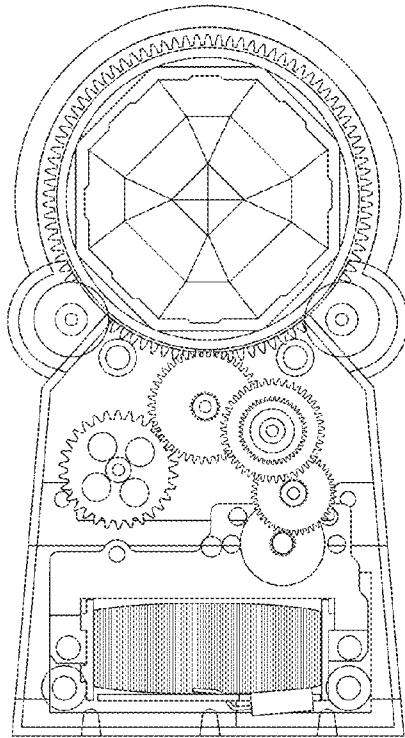


FIG. 2

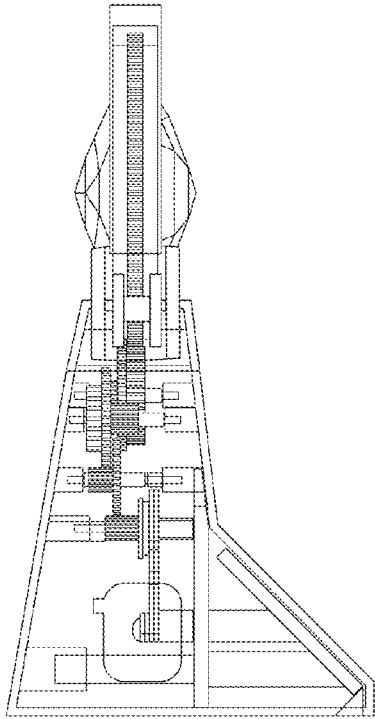


FIG. 3

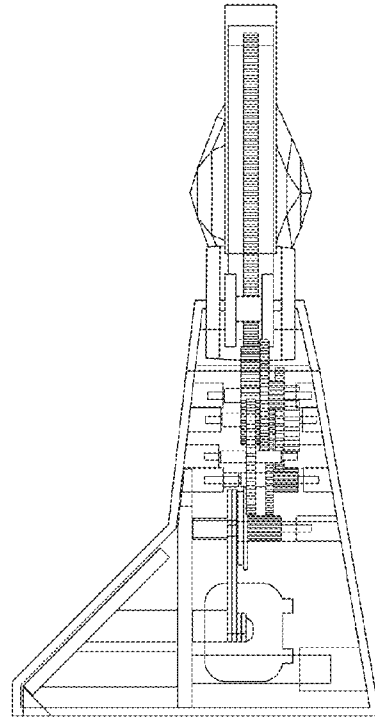


FIG. 4

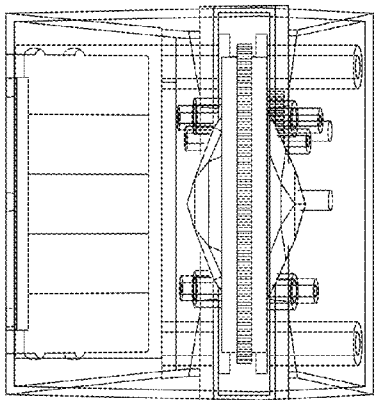


FIG. 5

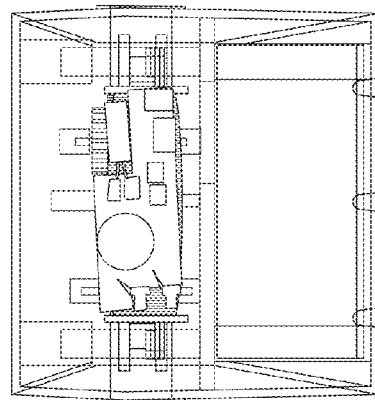


FIG. 6

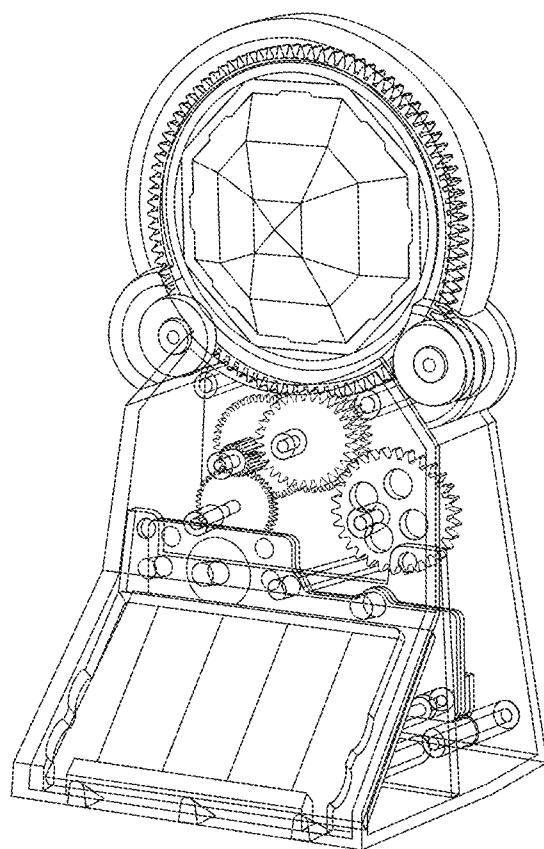


FIG. 7