



US0D1027013S

(12) **United States Design Patent**  
**Wang**

(10) **Patent No.:** **US D1,027,013 S**

(45) **Date of Patent:** **\*\* May 14, 2024**

(54) **PAIR OF PRISM SPECTACLES**

(71) Applicant: **Xiaowu Wang**, Dongguan (CN)

(72) Inventor: **Xiaowu Wang**, Dongguan (CN)

(\*\*) Term: **15 Years**

(21) Appl. No.: **29/849,612**

(22) Filed: **Aug. 12, 2022**

(30) **Foreign Application Priority Data**

May 26, 2022 (CN) ..... 202230317727.8

(51) **LOC (14) Cl.** ..... **16-06**

(52) **U.S. Cl.**  
USPC ..... **D16/305**

(58) **Field of Classification Search**  
USPC ..... D16/100–101, 300–330, 332–342, 900;  
D29/106–107, 110  
CPC ... G02C 1/00; G02C 1/02; G02C 1/04; G02C  
1/06; G02C 1/10; G02C 5/00; G02C  
5/008; G02C 5/02; G02C 5/10; G02C  
5/12; G02C 5/126; G02C 5/14; G02C  
5/16; G02C 5/18; G02C 7/00; G02C  
7/02; G02C 7/10; G02C 7/16  
See application file for complete search history.

(56) **References Cited**

**U.S. PATENT DOCUMENTS**

2,194,192	A *	3/1940	Auer	.....	A61F 9/02 2/452
D137,337	S *	2/1944	Gainsborg et al.	.....	D29/103
3,016,542	A *	1/1962	Lindblom	.....	A61F 9/061 351/44
3,414,347	A *	12/1968	Stoltze	.....	G02B 25/004 351/59
D250,341	S *	11/1978	McClure	.....	D16/133
D264,891	S *	6/1982	Rosenius	.....	D29/110
D420,375	S *	2/2000	Goff	.....	D16/130

D430,887	S *	9/2000	Goff	.....	D16/135
D583,850	S *	12/2008	Jabali	.....	D16/311
D806,318	S *	12/2017	Yang	.....	D24/110.2
D857,075	S *	8/2019	Xu	.....	D16/133
D901,016	S *	11/2020	Park	.....	D16/312
D917,608	S *	4/2021	Bartlett	.....	D16/340

**FOREIGN PATENT DOCUMENTS**

CN 307557089 \* 9/2022

**OTHER PUBLICATIONS**

Upside Down Glasses Challenge, Frames: 10:14/11:53, announced in YouTube on Nov. 18, 2014 [online], [site visited Dec. 13, 2023], Available from the internet URL: [https://www.youtube.com/watch?app=desktop&v=OJTC\\_E2Nlgg](https://www.youtube.com/watch?app=desktop&v=OJTC_E2Nlgg) (Year: 2014).\*

(Continued)

*Primary Examiner* — Amy C Wierenga  
*Assistant Examiner* — Angel R Marrero-Arce  
(74) *Attorney, Agent, or Firm* — Birchwood IP

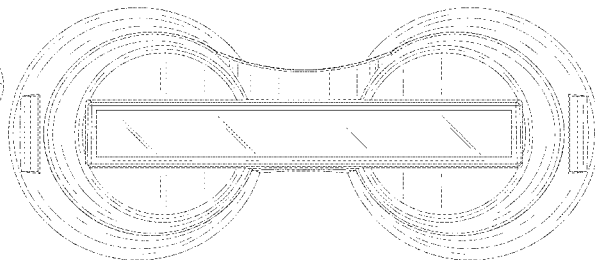
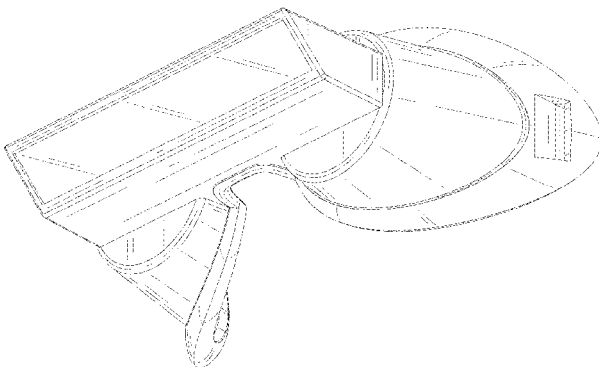
(57) **CLAIM**

The ornamental design for a pair of prism spectacles, as shown and described.

**DESCRIPTION**

FIG. 1 is a perspective view of a pair of prism spectacles, showing my new design;  
FIG. 2 is another perspective view thereof;  
FIG. 3 is a front view thereof;  
FIG. 4 is a rear view thereof;  
FIG. 5 is a left side view thereof;  
FIG. 6 is a right side view thereof;  
FIG. 7 is a top plan view thereof; and,  
FIG. 8 is a bottom plan view thereof.  
The dashed broken lines depict portions of the pair of prism spectacles that form no part of the claim.

**1 Claim, 8 Drawing Sheets**



(56)

**References Cited**

OTHER PUBLICATIONS

Hilitand Automatic Dimming Welder Eye Glasses, available in Amazon.com, date first available Dec. 24, 2019 [online], [site visited Dec. 13, 2023], Available from the internet URL: <https://www.amazon.com/dp/B0832GHL9X/> (Year: 2019).\*

Upside Down Challenge Game, available in Amazon.com, date first available Jul. 16, 2021 [online], [site visited Dec. 13, 2023], Available from the internet URL: <https://www.amazon.com/Ravensburger-Upside-Down-Game-Activities/dp/B08XLXLY49/> (Year: 2021).\*

Ace's Creations Inversion Goggles—Prism Goggles for Upside Down Challenge, available in Amazon.com, date first available Nov. 13, 2023 [online], [site visited Dec. 13, 2023], Available from the internet URL: <https://www.amazon.com/Inversion-Goggles-Ultimate-Entertainment-Challenge/dp/B0BQQZ8S3H/> (Year: 2023).\*

\* cited by examiner

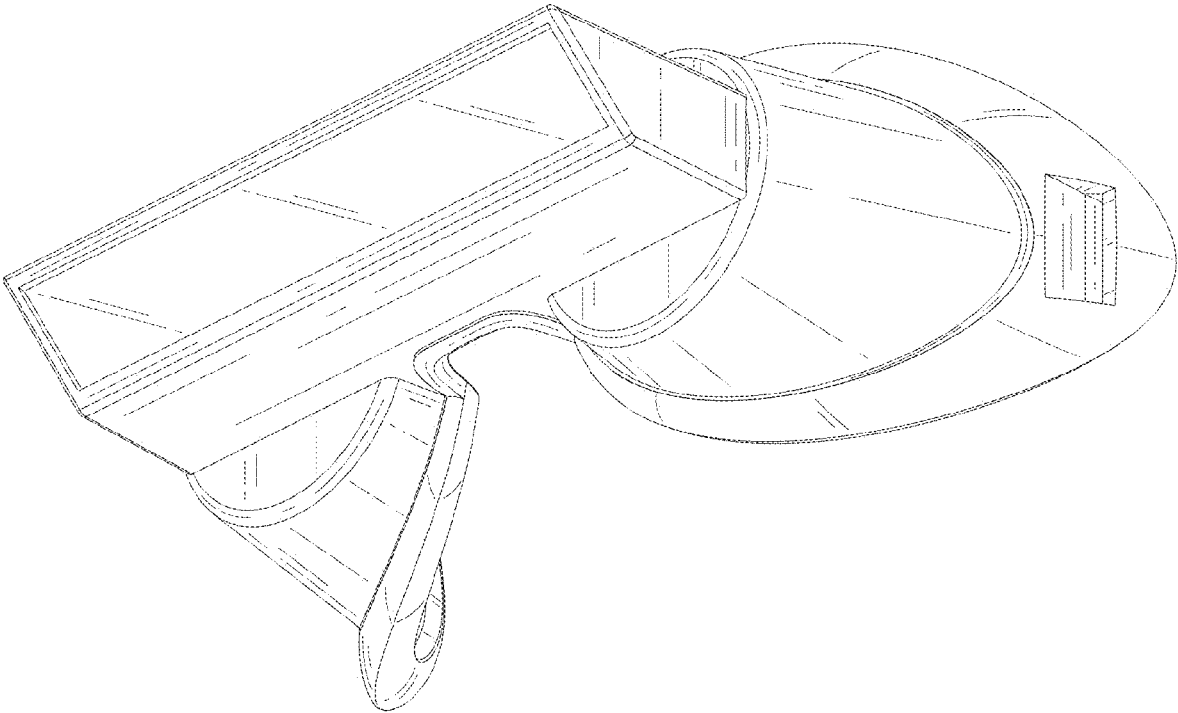


FIG. 1

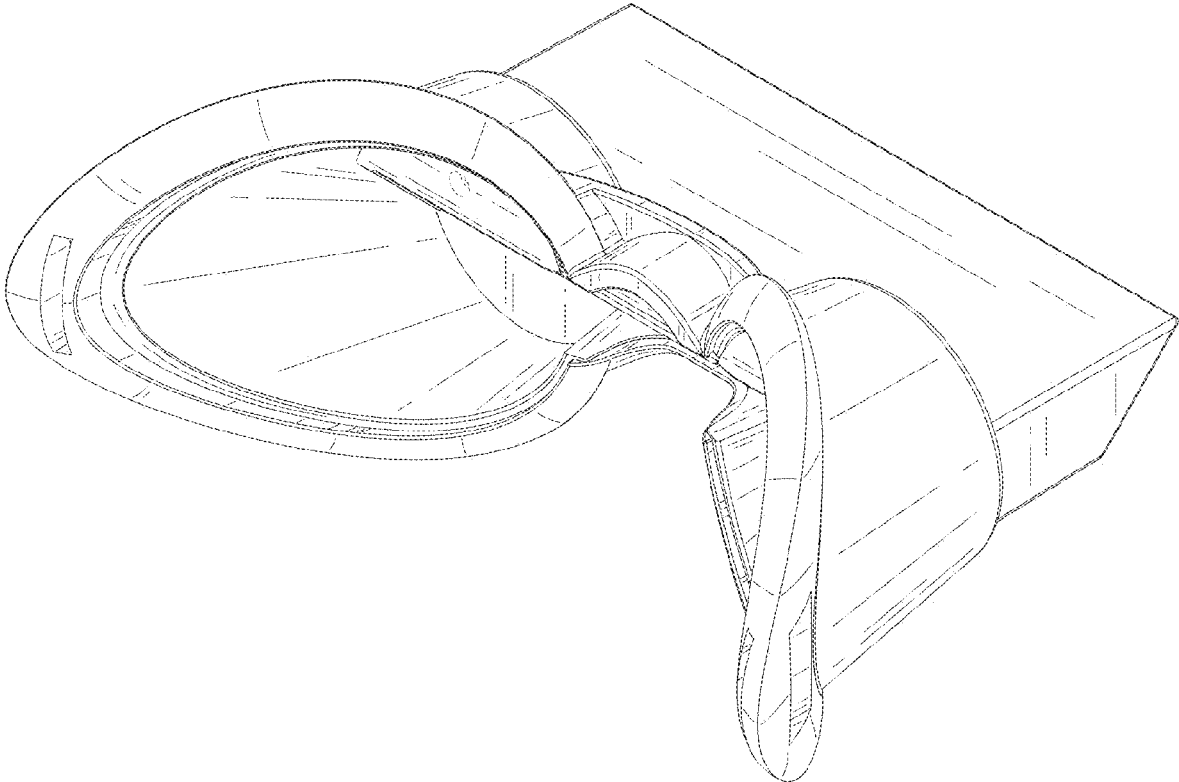


FIG. 2

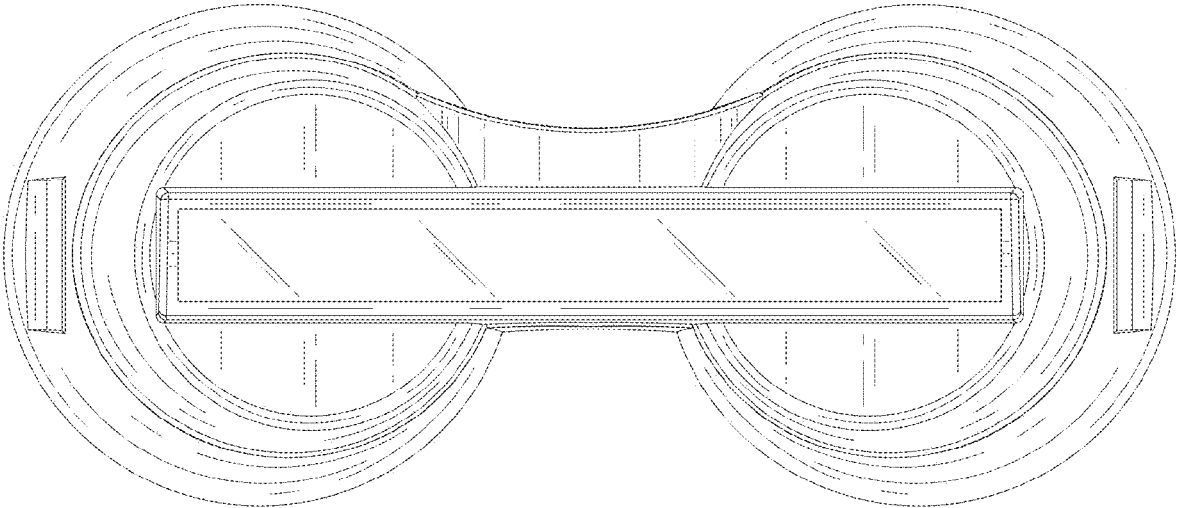


FIG. 3

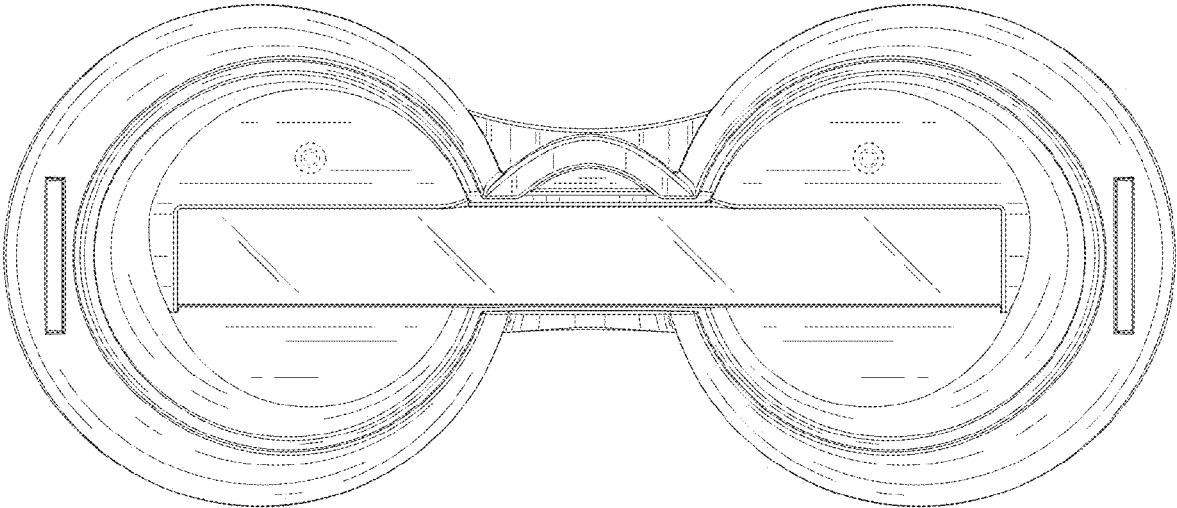


FIG. 4

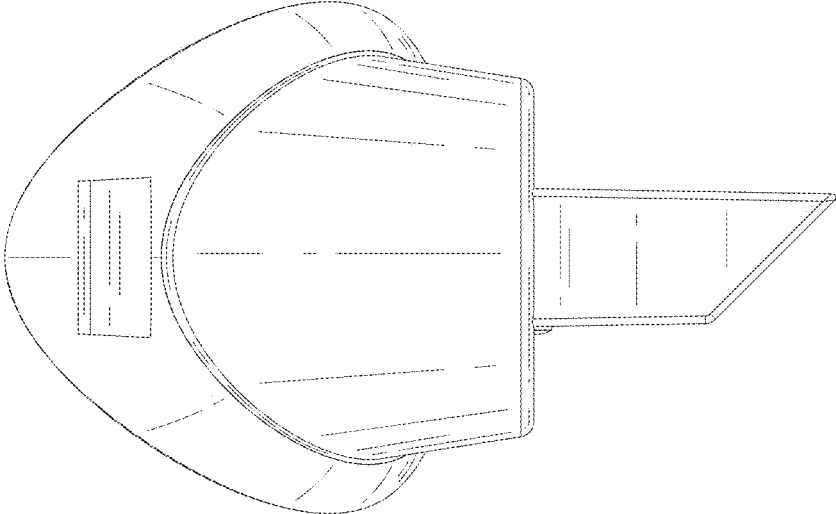


FIG. 5

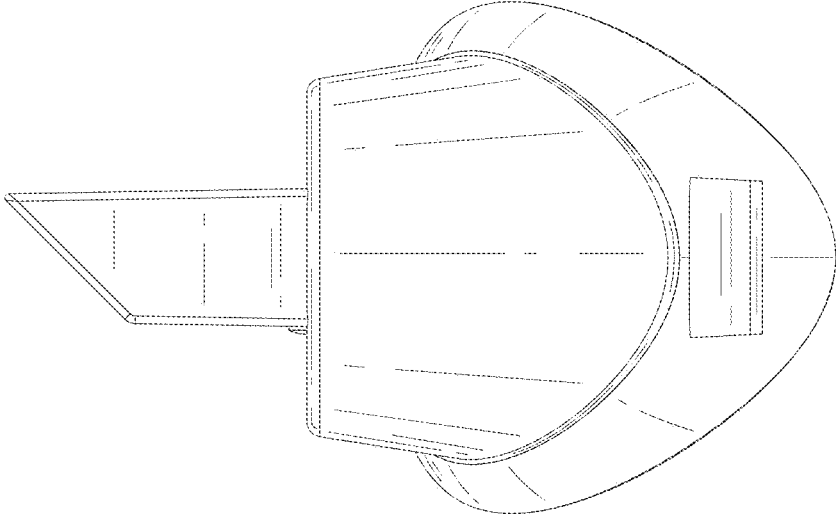


FIG. 6

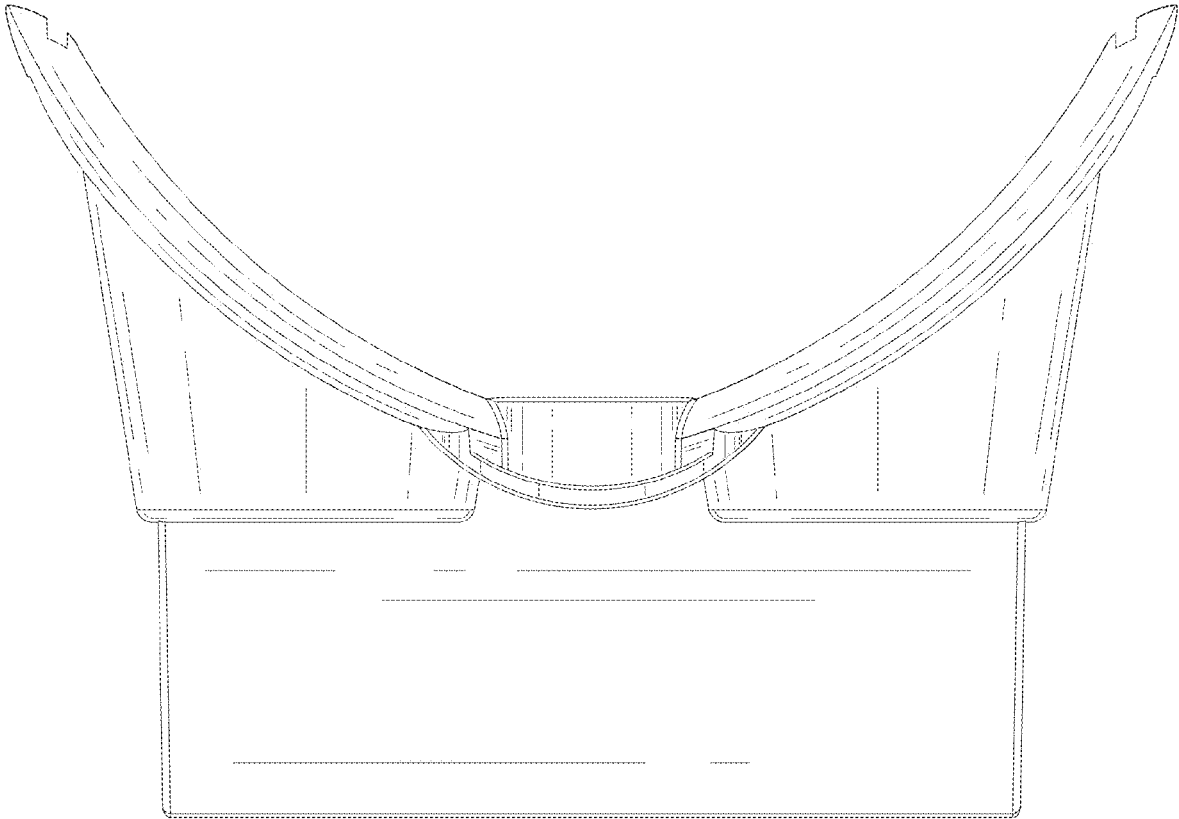


FIG. 7

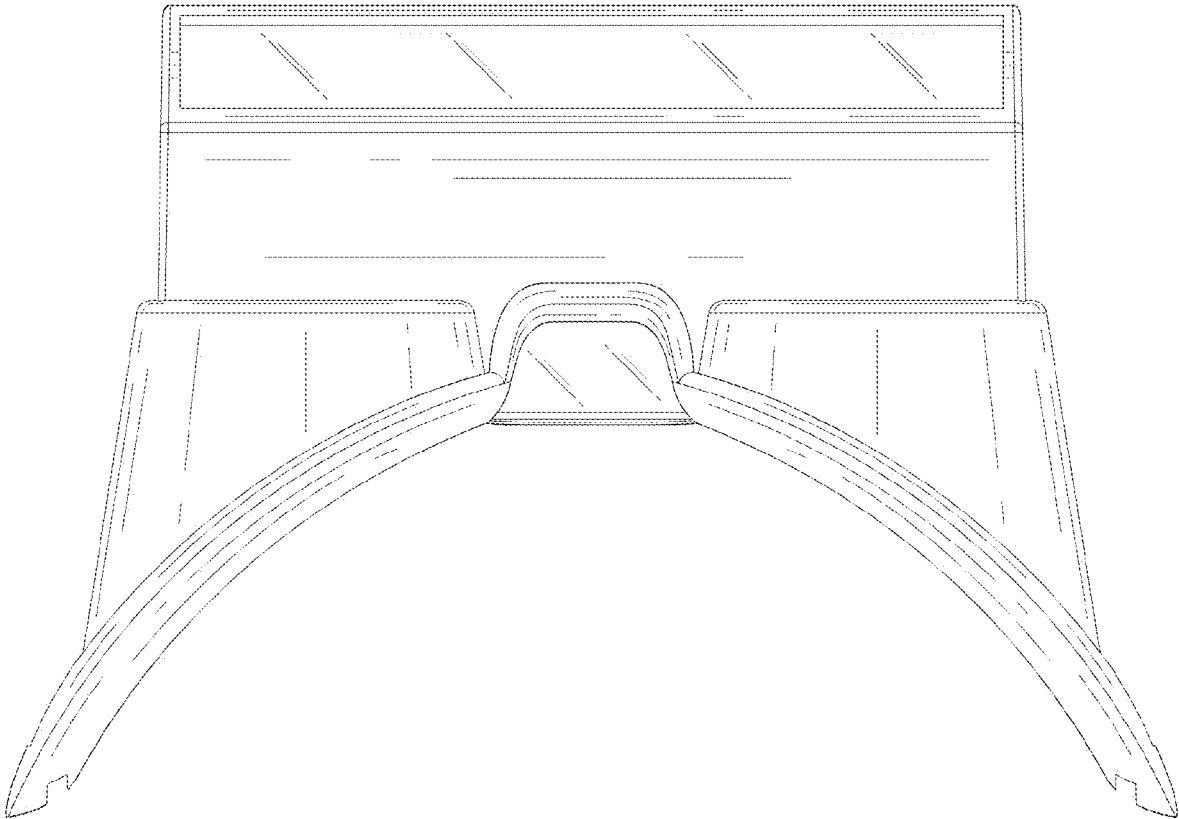


FIG. 8