

CORRECTED VERSION

(19) World Intellectual Property Organization
International Bureau



(10) International Publication Number
WO 2012/162305 A8

(43) International Publication Date
29 November 2012 (29.11.2012)

- (51) International Patent Classification:
A61M 15/00 (2006.01)
- (21) International Application Number:
PCT/US2012/038969
- (22) International Filing Date:
22 May 2012 (22.05.2012)
- (25) Filing Language: English
- (26) Publication Language: English
- (30) Priority Data:
PCT/US2011/037527 23 May 2011 (23.05.2011) US

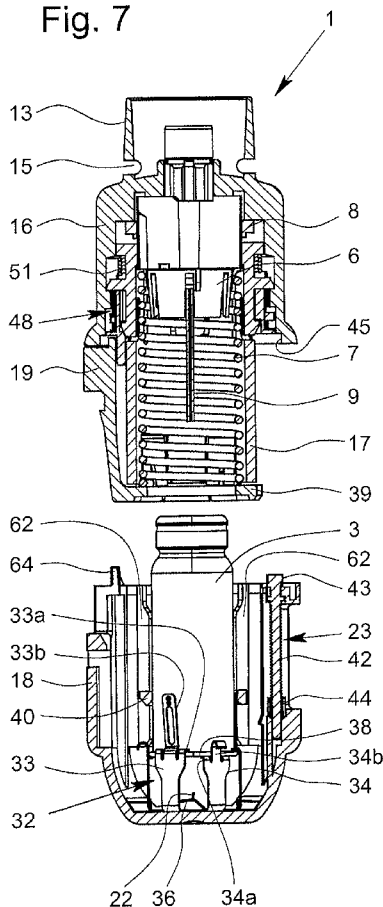
- (71) Applicant (for all designated States except US):
BOEHRINGER INGELHEIM INTERNATIONAL GMBH; Binger Strasse 173, 55216 Ingelheim Am Rhein (DE).
- (72) Inventors; and
- (75) Inventors/Applicants (for US only): **HOLAKOVSKY, Holger** [DE/DE]; Boehringer Ingelheim GmbH, CD Patents, Binger Strasse 173, 55216 Ingelheim am Rhein (DE). **WITTE, Florian** [DE/DE]; Boehringer Ingelheim GmbH, CD Patents, Binger Strasse 173, 55216 Ingelheim Am Rhein (DE). **HERRMANN, Frank** [DE/DE]; Boehringer Ingelheim GmbH, CD Patents, Binger Strasse 173, 55216 Ingelheim am Rhein (DE). **SEARS, Charles, William** [US/US]; 39 Joseph Smith Lane, Boxford, MA 01921

[Continued on next page]

(54) Title: NEBULIZER

(57) Abstract: A nebulizer (1) is proposed which comprises an insertable container (3) and a counter device (23) for counting operations of the nebulizer. The nebulizer can be opened for replacing the container. A securing device (32) having locking portions (33b) forcing apart is provided to prevent reconnection of an already used container. The nebulizer shows the current container number and alternately symbols indicating container replacement. An indicator member (50) is driven by the force of an internal spring (20). The indicator member controls also a lock (57) of the container for locking the container against further actuation. The lock is resetted after container replacement.

Fig. 7



WO 2012/162305 A8



(US). **CATINELLA, Christopher, Michael** [US/US]; 21 Redbud Way, Apt. 23, Marlboro, MA 01752 (US). **GONZALEZ, Mario, Alberto** [CO/US]; 115 Highland Avenue, Apt. 13, Somerville, MA 02143 (US). **PHILIPS, Sean, Landis** [US/US]; P.o. Box 326, S. Lancaster, MA 01561 (US). **BERTRAM, Paul** [US/US]; 22 Catherine Avenue, Franklin, MA 02038 (US). **ROHR-SCHNEIDER, Marc** [DE/DE]; Boehringer Ingelheim GmbH, CD Patents, Binger Strasse 173, 55216 Ingelheim Am Rhein (DE).

(74) **Agent: SAFRAN, David S.**; 7918 Jones Branch Drive, Suite 500, Mclean, VA 22102 (US).

(81) **Designated States** (*unless otherwise indicated, for every kind of national protection available*): AE, AG, AL, AM, AO, AT, AU, AZ, BA, BB, BG, BH, BR, BW, BY, BZ, CA, CH, CL, CN, CO, CR, CU, CZ, DE, DK, DM, DO, DZ, EC, EE, EG, ES, FI, GB, GD, GE, GH, GM, GT, HN, HR, HU, ID, IL, IN, IS, JP, KE, KG, KM, KN, KP, KR, KZ, LA, LC, LK, LR, LS, LT, LU, LY, MA, MD, ME, MG, MK, MN, MW, MX, MY, MZ, NA, NG, NI, NO, NZ, OM, PE, PG, PH, PL, PT, QA, RO, RS, RU,

RW, SC, SD, SE, SG, SK, SL, SM, ST, SV, SY, TH, TJ, TM, TN, TR, TT, TZ, UA, UG, US, UZ, VC, VN, ZA, ZM, ZW.

(84) **Designated States** (*unless otherwise indicated, for every kind of regional protection available*): ARIPO (BW, GH, GM, KE, LR, LS, MW, MZ, NA, RW, SD, SL, SZ, TZ, UG, ZM, ZW), Eurasian (AM, AZ, BY, KG, KZ, RU, TJ, TM), European (AL, AT, BE, BG, CH, CY, CZ, DE, DK, EE, ES, FI, FR, GB, GR, HR, HU, IE, IS, IT, LT, LU, LV, MC, MK, MT, NL, NO, PL, PT, RO, RS, SE, SI, SK, SM, TR), OAPI (BF, BJ, CF, CG, CI, CM, GA, GN, GQ, GW, ML, MR, NE, SN, TD, TG).

Published:

— *with international search report (Art. 21(3))*

(48) **Date of publication of this corrected version:**

25 July 2013

(15) **Information about Correction:**

see Notice of 25 July 2013