



US00D409100S

United States Patent [19] Brimer

[11] Patent Number: **Des. 409,100**
[45] Date of Patent: **** May 4, 1999**

[54] **NO-DOG BUBBLE LEVEL**
[76] Inventor: **David W. Brimer**, 2012 Garfield,
Granite City, Ill. 62040
[**] Term: **14 Years**

4,829,676 5/1989 Waldron 33/371
4,947,556 8/1990 Peil 33/371
5,154,000 10/1992 Mahoney et al. 33/371
5,167,075 12/1992 Weldy et al. 33/371
5,535,523 7/1996 Endris 33/371

[21] Appl. No.: **29/089,730**
[22] Filed: **Jun. 22, 1998**

Related U.S. Application Data

[63] Continuation-in-part of application No. 08/690,248, Jul. 19, 1996, abandoned, and a continuation-in-part of application No. 08/838,277, Apr. 16, 1997, abandoned.
[51] **LOC (6) Cl.** **10-04**
[52] **U.S. Cl.** **D10/69**
[58] **Field of Search** D10/69; 33/369-381

References Cited

U.S. PATENT DOCUMENTS

2,816,369 12/1957 Becker 33/371
2,842,863 7/1958 Hellwig 33/371
3,106,024 10/1963 Lea 33/371
3,435,533 4/1969 Whitfield 33/371
4,189,844 2/1980 Riggins, Sr. D10/69
4,274,208 6/1981 Yakkel 33/371
4,394,799 7/1983 Moree et al. 33/371

OTHER PUBLICATIONS

Spirit Level, Modern Plastics, pp. 122-123, Apr. 1945.

Primary Examiner—Antoine Duval Davis
Attorney, Agent, or Firm—Don W. Weber

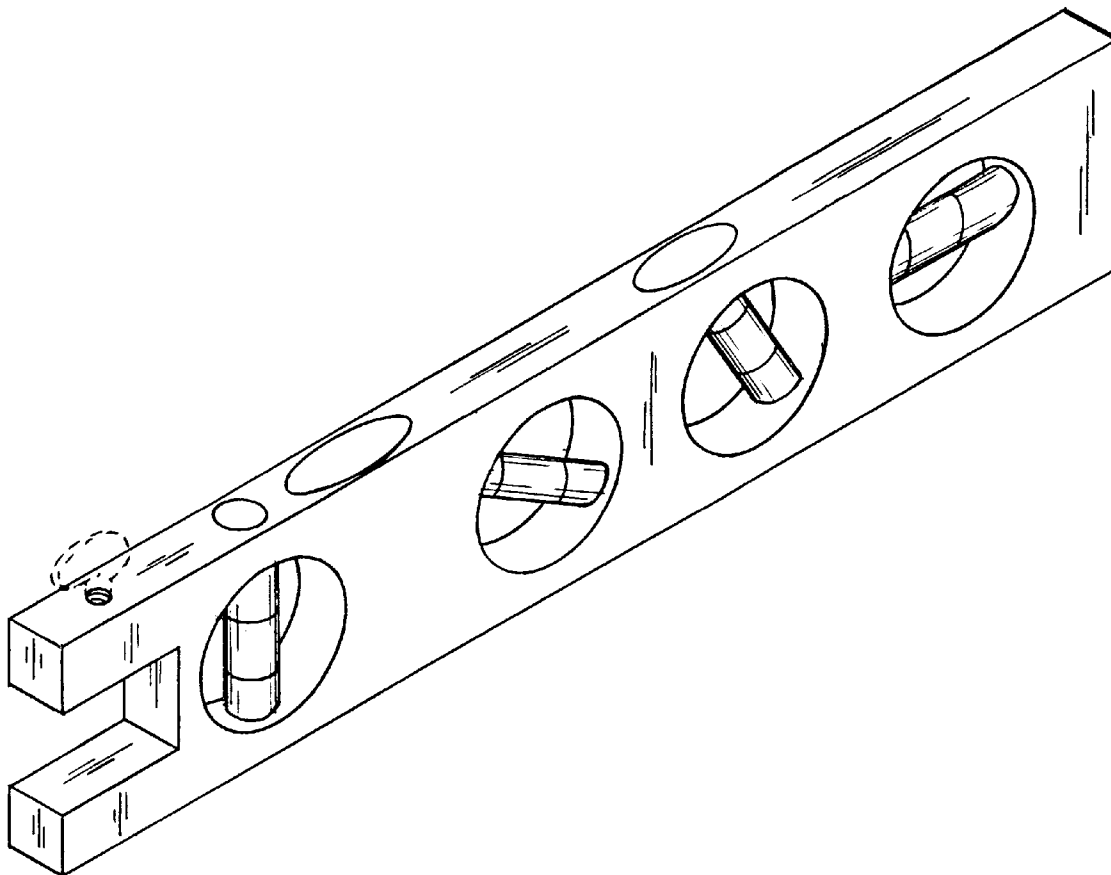
CLAIM

[57] The ornamental design for a no-dog bubble level, as shown and described.

DESCRIPTION

FIG. 1 is a perspective view of the level.
FIG. 2 is a front view of the bubble level. The front view is a mirror image of the rear view.
FIG. 3 is a top view of the bubble level.
FIG. 4 is a bottom view of the bubble level.
FIG. 5 is a left end view of the bubble level; and,
FIG. 6 is a right end view of the bubble level.
The broken line showing is for illustrative purposes only and forms no part of the claimed design.

1 Claim, 2 Drawing Sheets



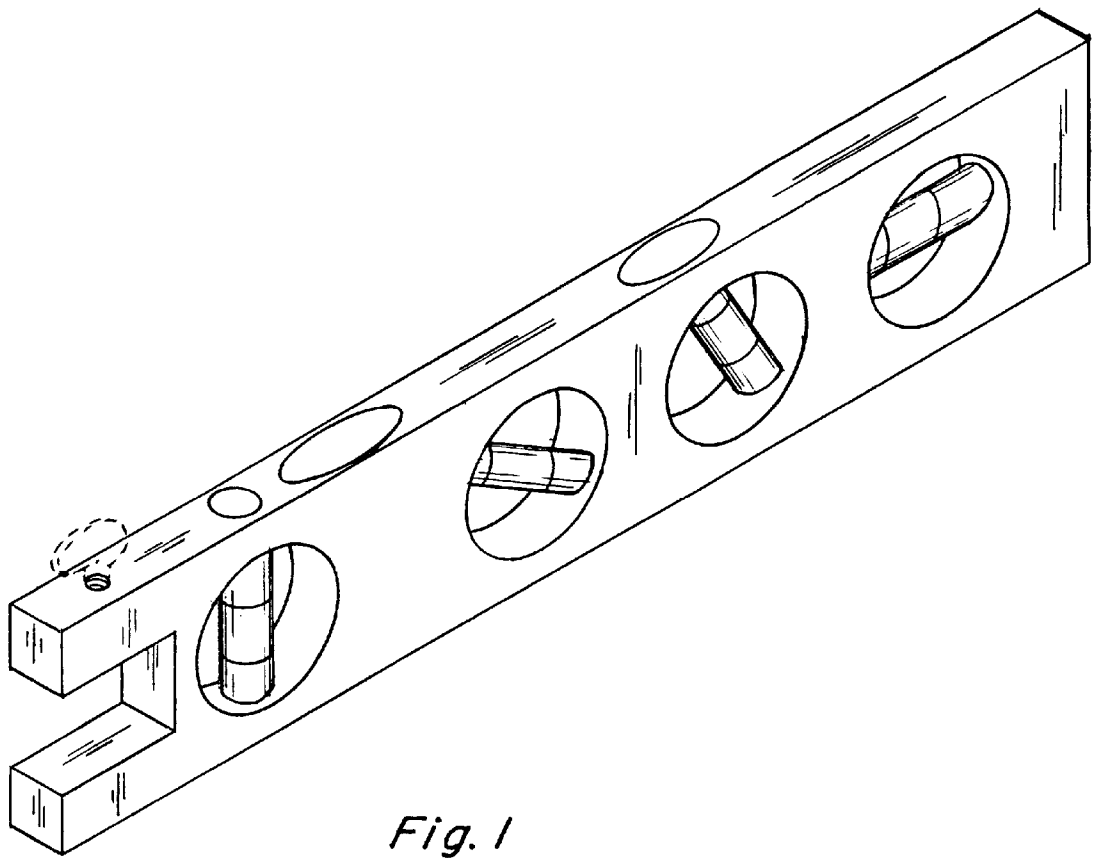


Fig. 1

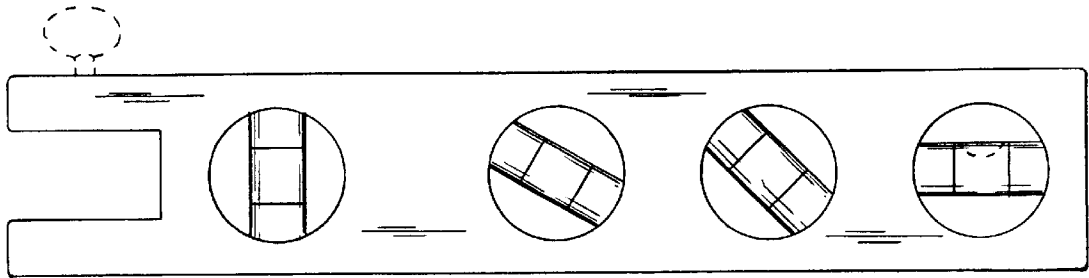


Fig. 2



Fig. 3

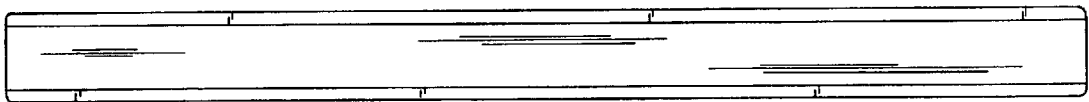


Fig. 4



Fig. 5



Fig. 6