



US0D1065752S

(12) **United States Design Patent**
James et al.

(10) **Patent No.:** **US D1,065,752 S**

(45) **Date of Patent:** **** Mar. 4, 2025**

(54) **PRACTICE BALL CART**

Available from internet, URL: <<https://us.amazon.com/Murray-Sporting-Goods-Baseball-Softball/dp/B0925371MP>> (Year: 2021).*

(Continued)

(71) Applicant: **MURRAY SPORTING GOODS, LLC**, Murray, KY (US)

Primary Examiner — Kevin K Rudzinski

Assistant Examiner — David Weir

(72) Inventors: **Janson James**, Murray, KY (US);
Jeffrey George, Chicago, IL (US)

(74) *Attorney, Agent, or Firm* — Womble Bond Dickinson (US) LLP

(73) Assignee: **Murray Sporting Goods, LLC**, Murray, KY (US)

(57) **CLAIM**

(**) Term: **15 Years**

The ornamental design for a practice ball cart, as shown and described.

(21) Appl. No.: **29/839,791**

DESCRIPTION

(22) Filed: **May 24, 2022**

(51) **LOC (15) Cl.** **12-02**

(52) **U.S. Cl.**

USPC **D34/24**; D34/12

(58) **Field of Classification Search**

USPC D6/512, 552; D21/780; 211/13.1, 14,
211/85.7, 85.8; D34/24

(Continued)

FIG. 1 is a front perspective view of a practice ball cart according to a first embodiment; FIG. 2 is a front view thereof; FIG. 3 is a rear view thereof; FIG. 4 is a right side view thereof, the left side view being a mirror image; FIG. 5 is a top view thereof; FIG. 6 is a front perspective view of a practice ball cart according to a second embodiment; FIG. 7 is a front view thereof; FIG. 8 is a rear view thereof; FIG. 9 is a right side view thereof, the left side view being a mirror image; FIG. 10 is a top view thereof; FIG. 11 is a front perspective view of a practice ball cart according to a third embodiment; FIG. 12 is a front view thereof; FIG. 13 is a rear view thereof; FIG. 14 is a right side view thereof, the left side view being a mirror image; and, FIG. 15 is a top view thereof.

The broken lines shown in the drawings illustrate portions of the article that form no part of the claimed design. The second and third embodiments are shown with symbolic breaks, and those portions of the article between the break lines form no part of the claimed design.

(56) **References Cited**

U.S. PATENT DOCUMENTS

3,371,795 A * 3/1968 Rosonke A47F 1/082
211/14
7,229,085 B2 * 6/2007 Pederson A63B 71/0036
280/47.35

(Continued)

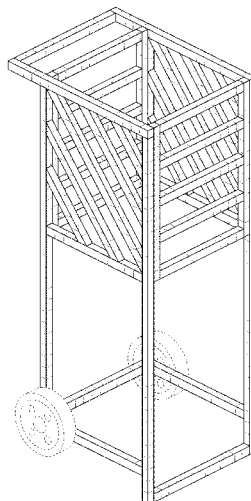
FOREIGN PATENT DOCUMENTS

DE M9000127-0001 * 12/1990
JP D1069927 * 5/2000
JP D1351267 * 2/2009

OTHER PUBLICATIONS

Murray Sporting Goods Premium Baseball/Softball Practice Ball Cart, announced Jun. 6, 2021 [online], [site visited Jun. 6, 2024].

1 Claim, 15 Drawing Sheets



(58) **Field of Classification Search**

CPC . A63B 47/00; A63B 69/0002; A63B 71/0036;
A63B 60/56

See application file for complete search history.

2012/0073615 A1* 3/2012 Fletcher A45B 11/00
135/16
2015/0321068 A1* 11/2015 Chen A63B 47/002
206/315.9
2016/0346629 A1* 12/2016 Chen A63B 47/00
2022/0118317 A1* 4/2022 Chang A63B 47/00

(56) **References Cited**

U.S. PATENT DOCUMENTS

8,882,135 B1* 11/2014 Chen B62B 3/106
280/651
D1,025,650 S * 5/2024 James D6/552
2006/0027983 A1* 2/2006 Pederson A63B 71/0045
280/47.35
2008/0185805 A1* 8/2008 Chen A63B 47/00
280/79.5
2009/0295108 A1* 12/2009 Oku B62B 3/02
280/43

OTHER PUBLICATIONS

Muhl Tech Pro Ball Cart, announced Feb. 27, 2018 [online], [site visited Jun. 6, 2024]. Available from internet, URL:<<https://us.amazon.com/Muhl-Tech-Pro-Ball-Cart/dp/B07B451CCB/>> (Year: 2018).*

Gamma Sports Ball Hopper Brute, announced Feb. 17, 2017 [online], [sited visited Jun. 6, 2024]. Available from internet, URL:<<https://us.amazon.com/dp/B06XMXJRPV/>> (Year: 2017).*

* cited by examiner

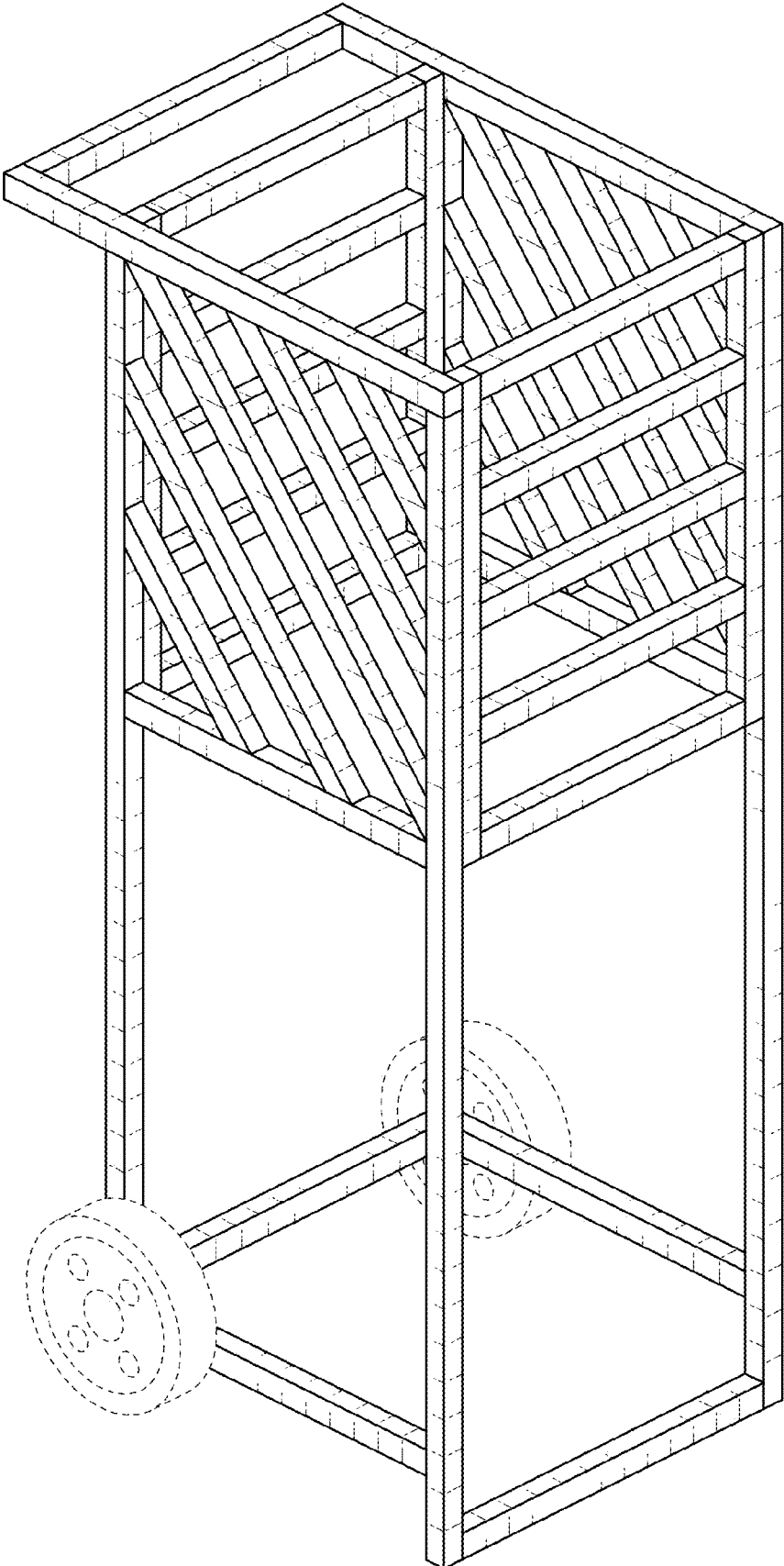


FIG. 1

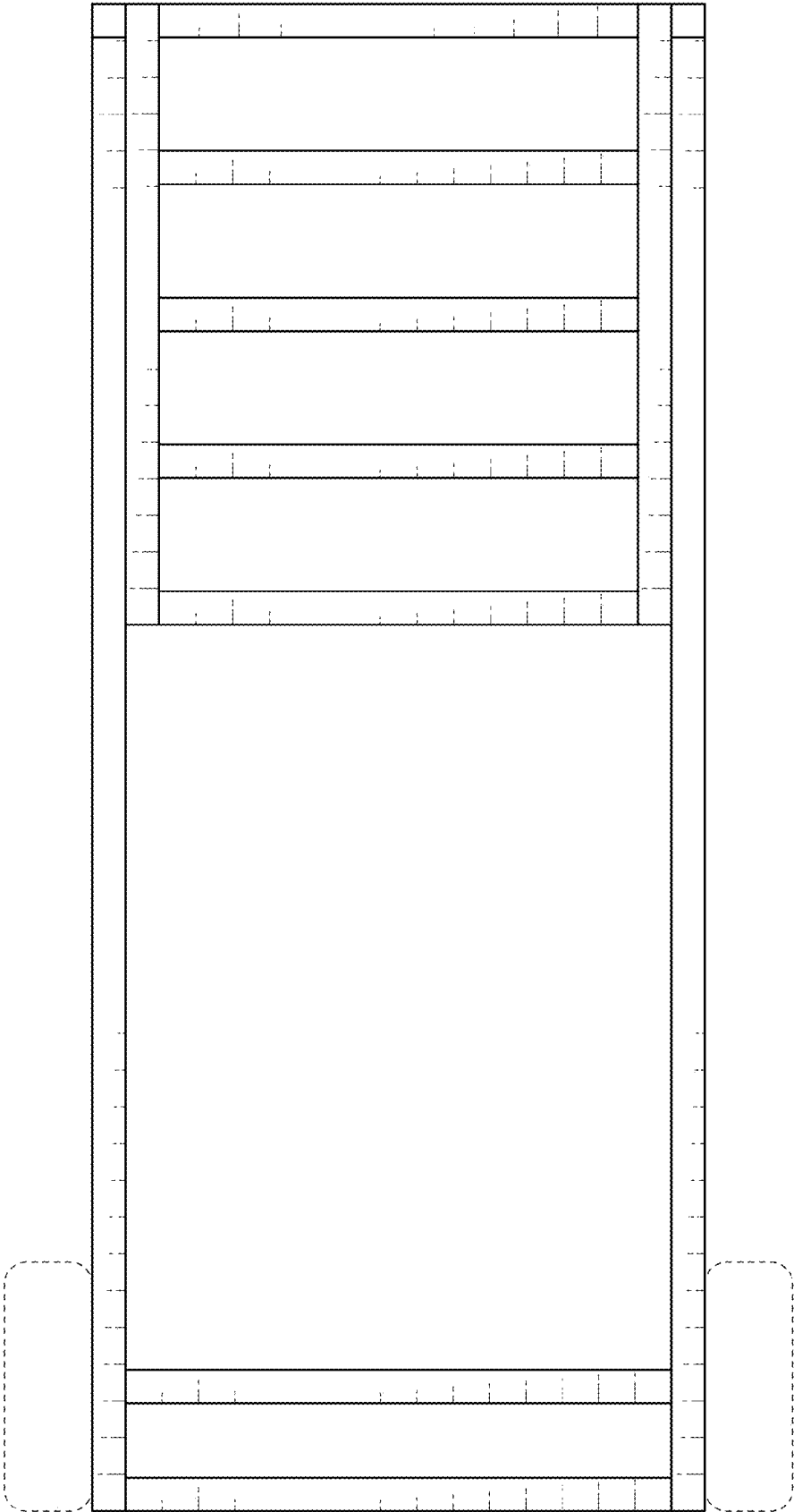


FIG. 2

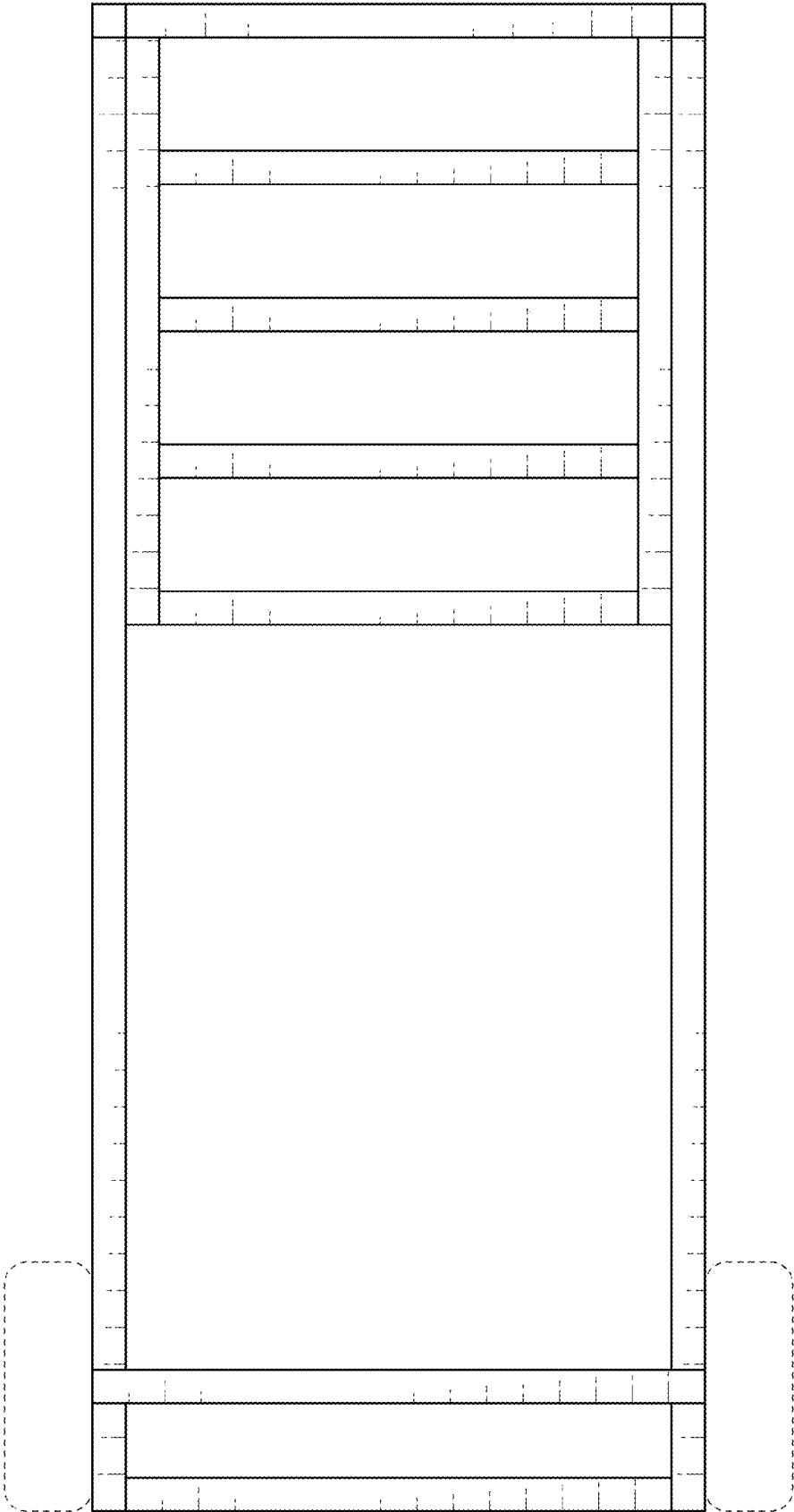


FIG. 3

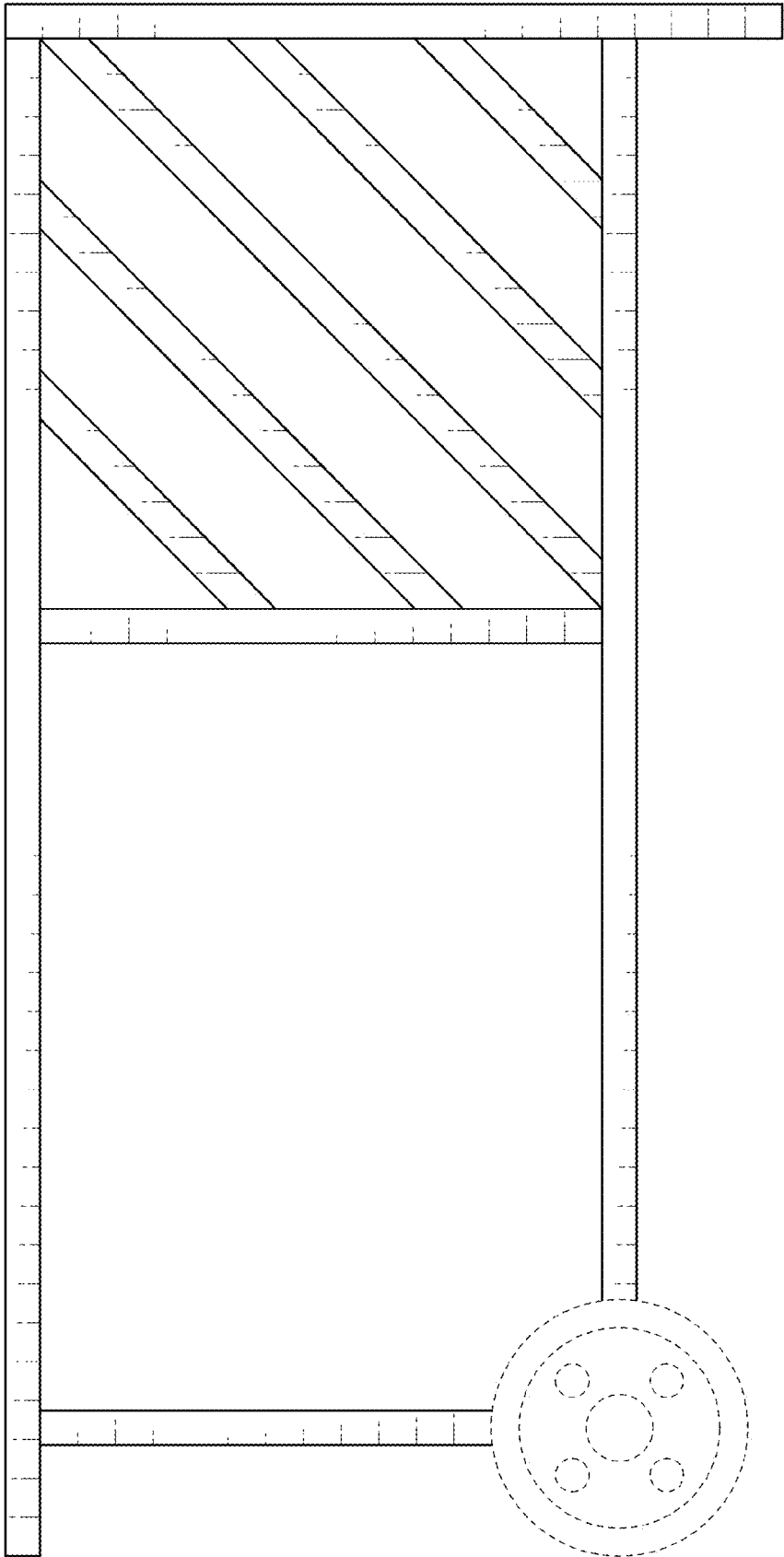


FIG. 4

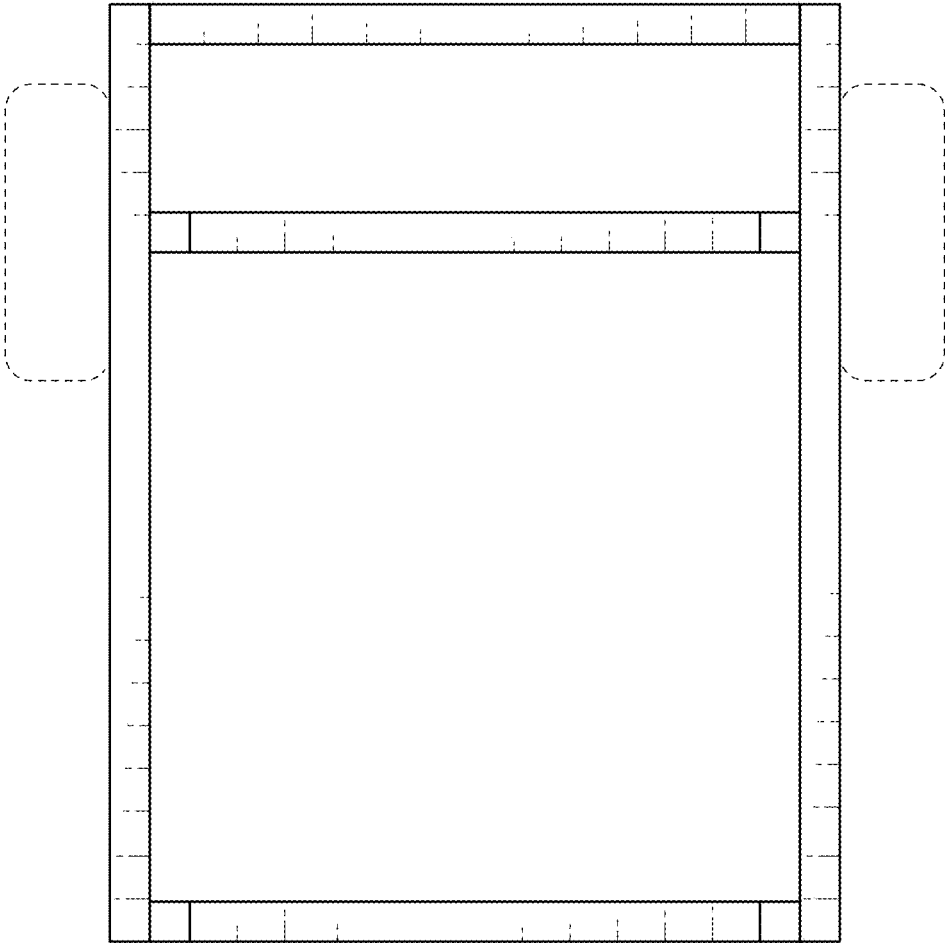


FIG. 5

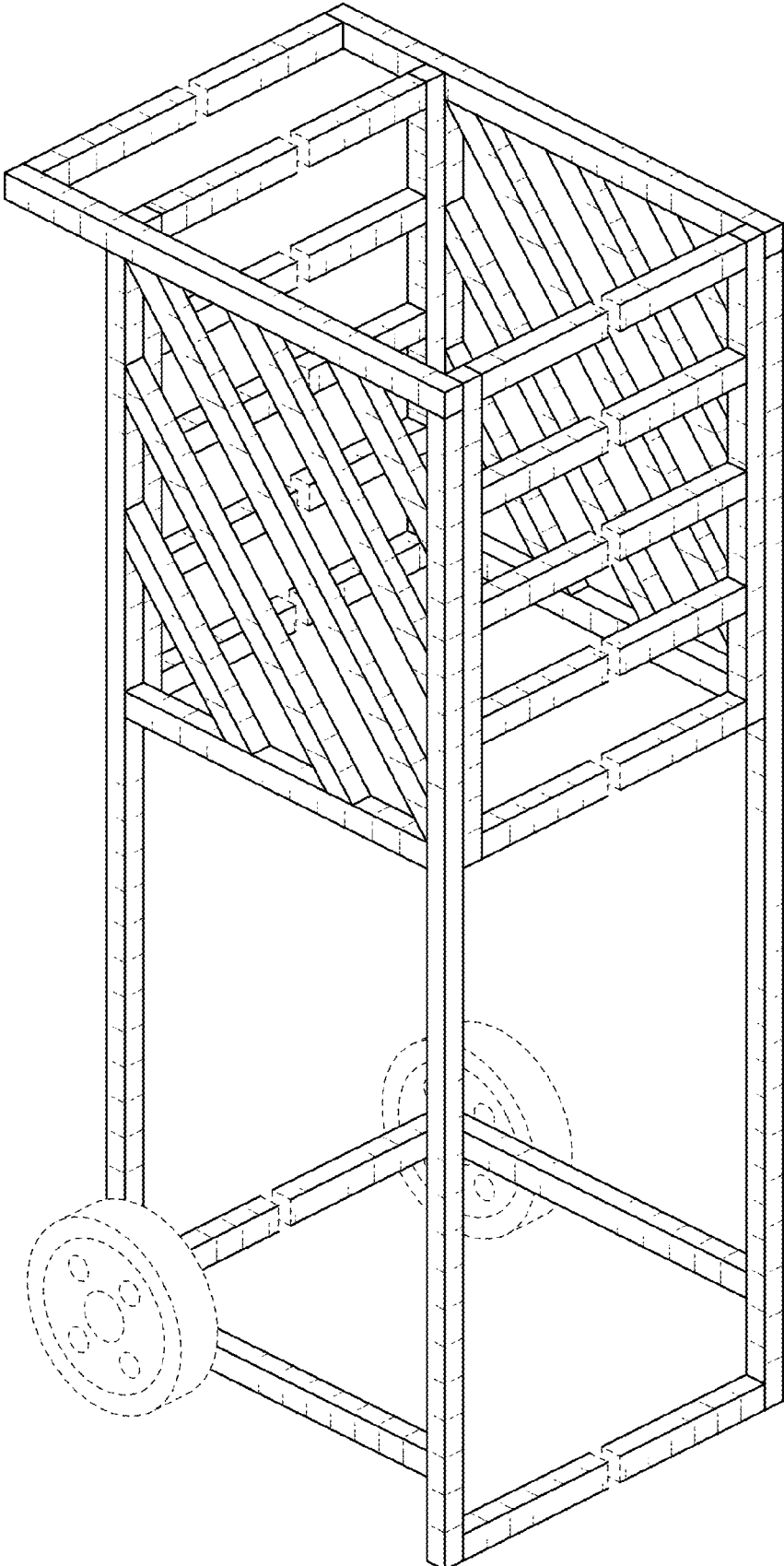


FIG. 6

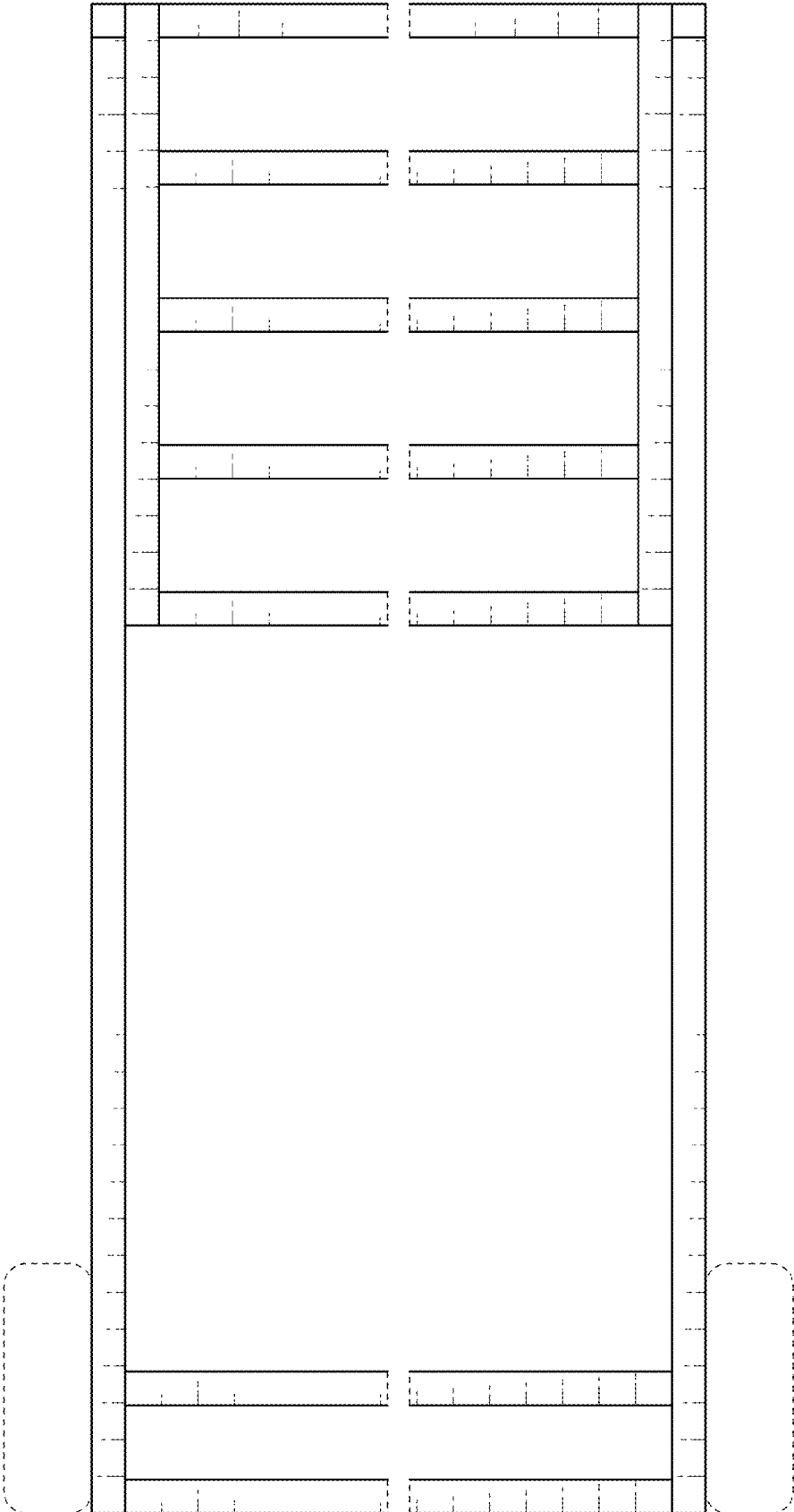


FIG. 7

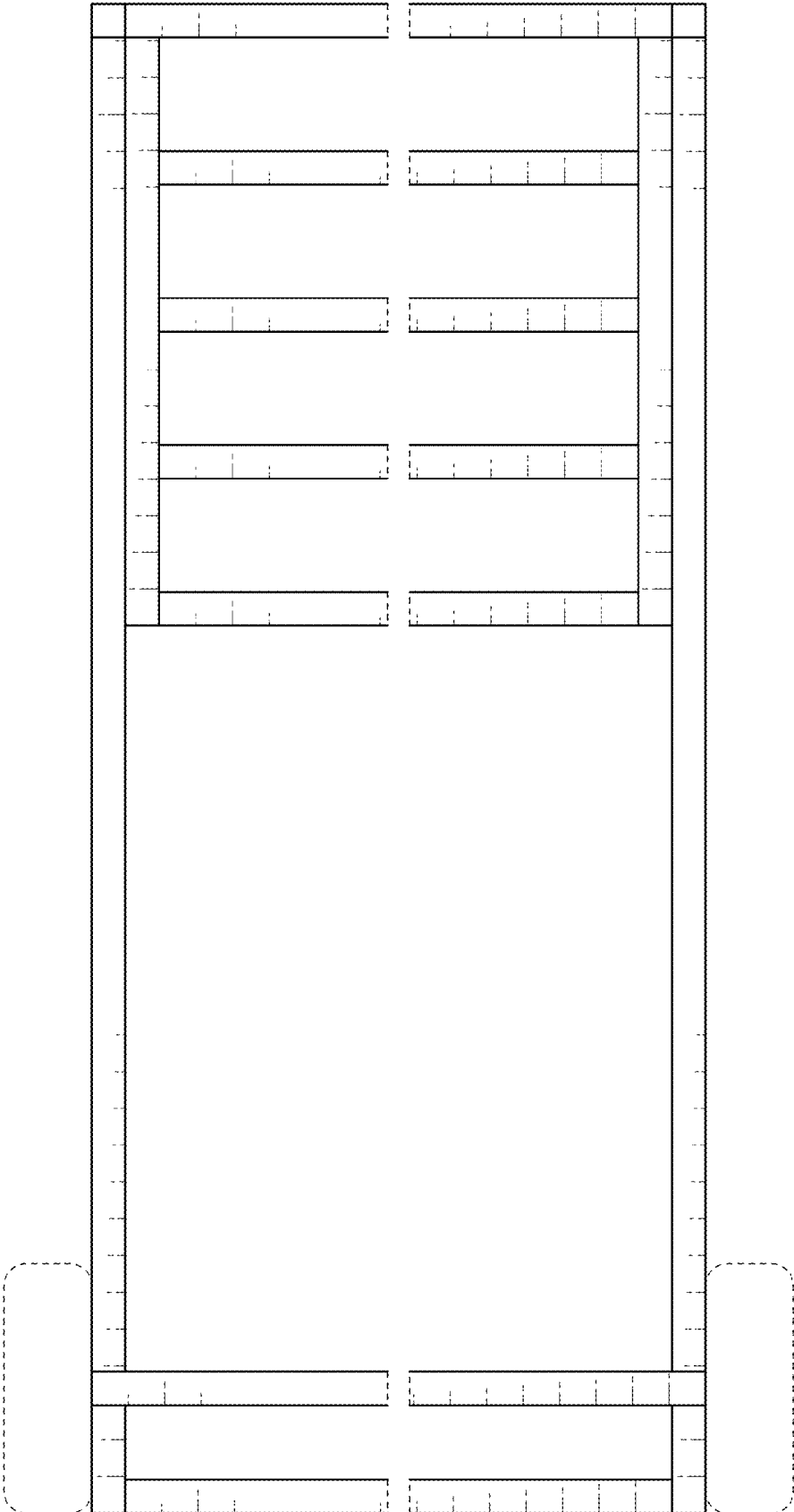


FIG. 8

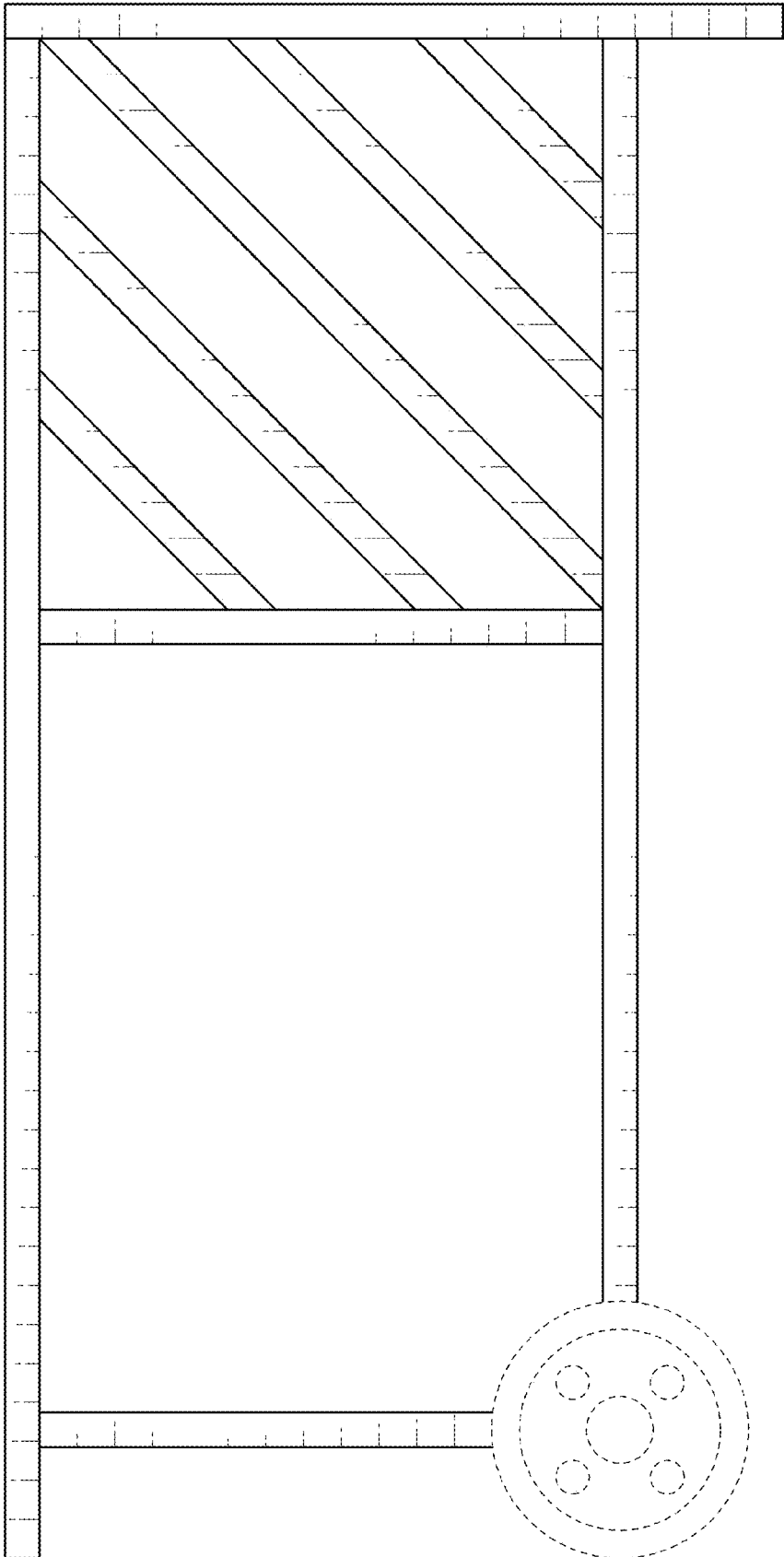


FIG. 9

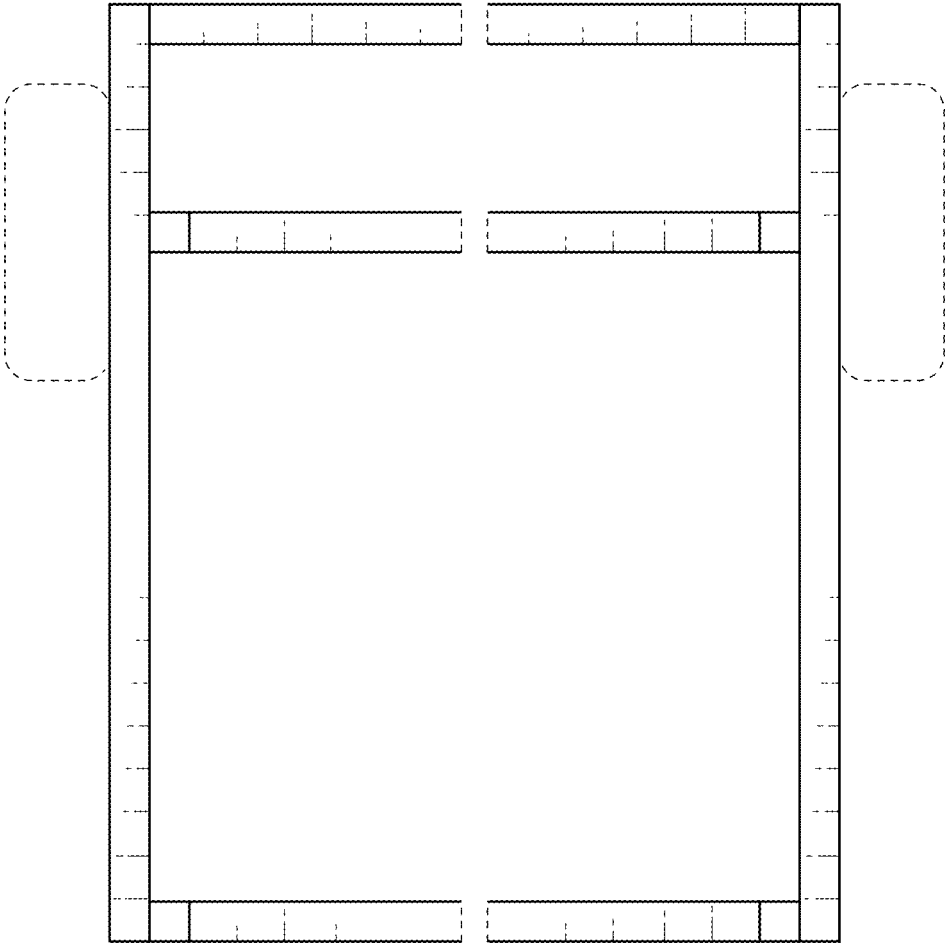


FIG. 10

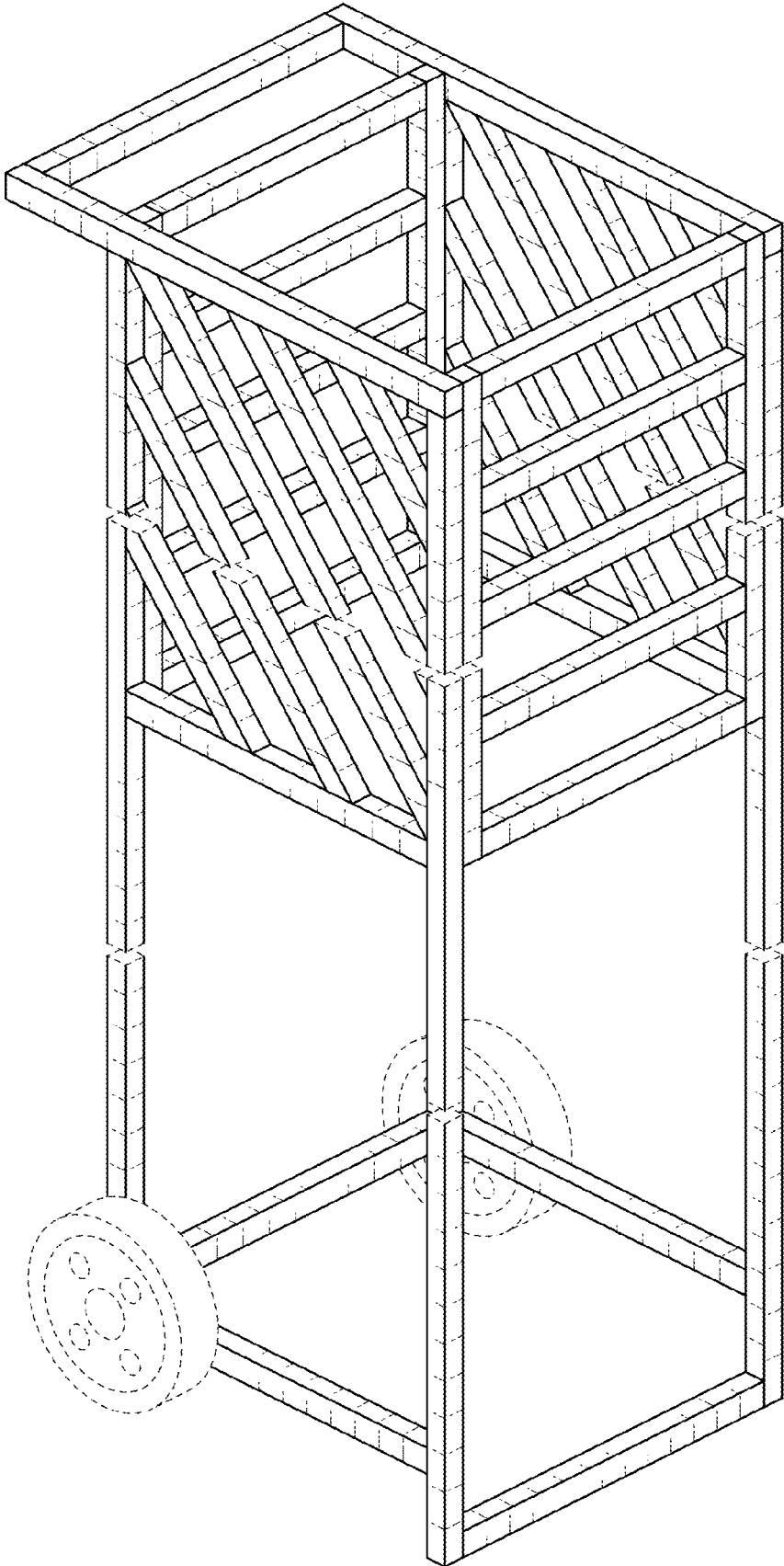


FIG. 11

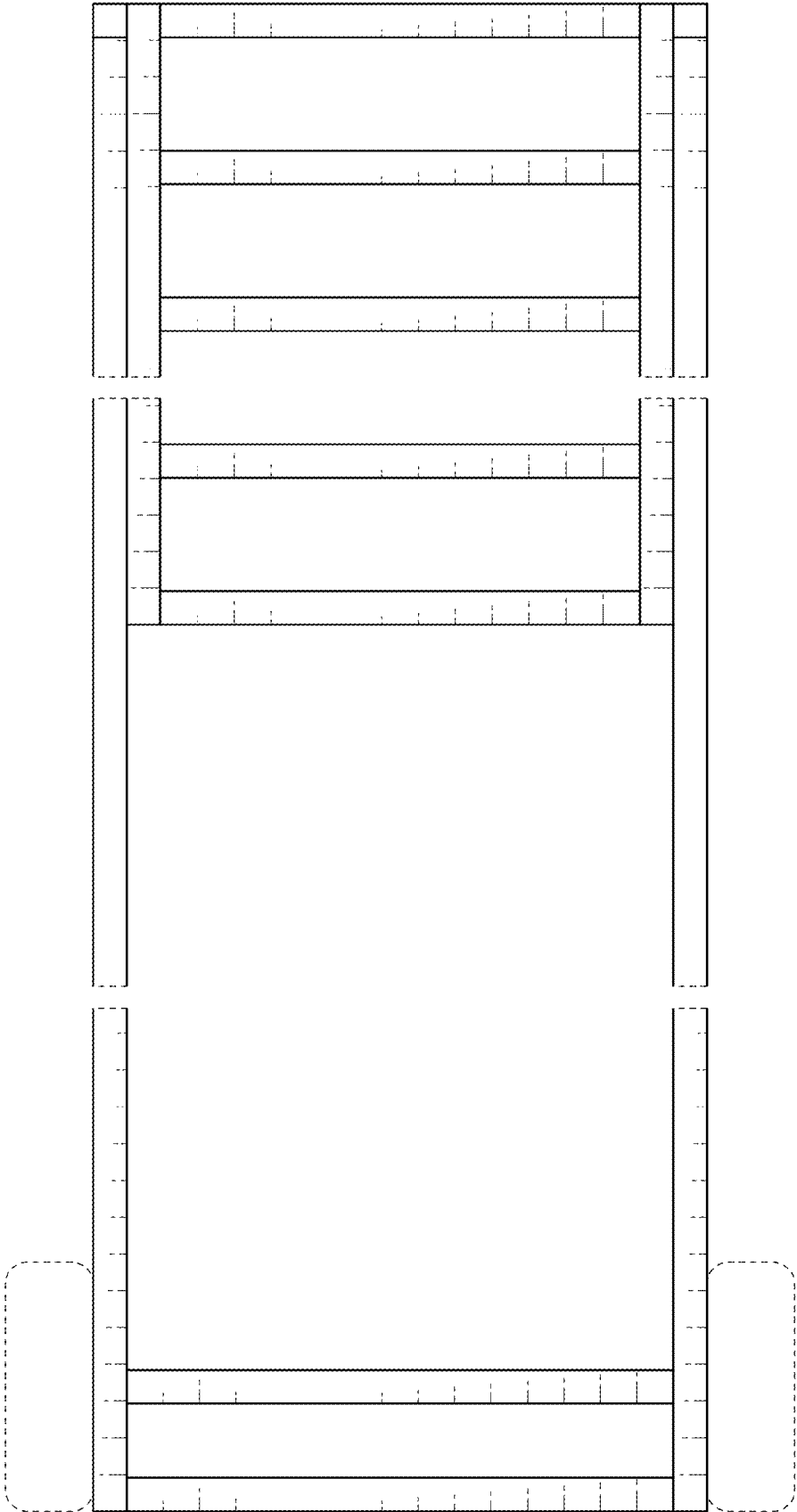


FIG. 12

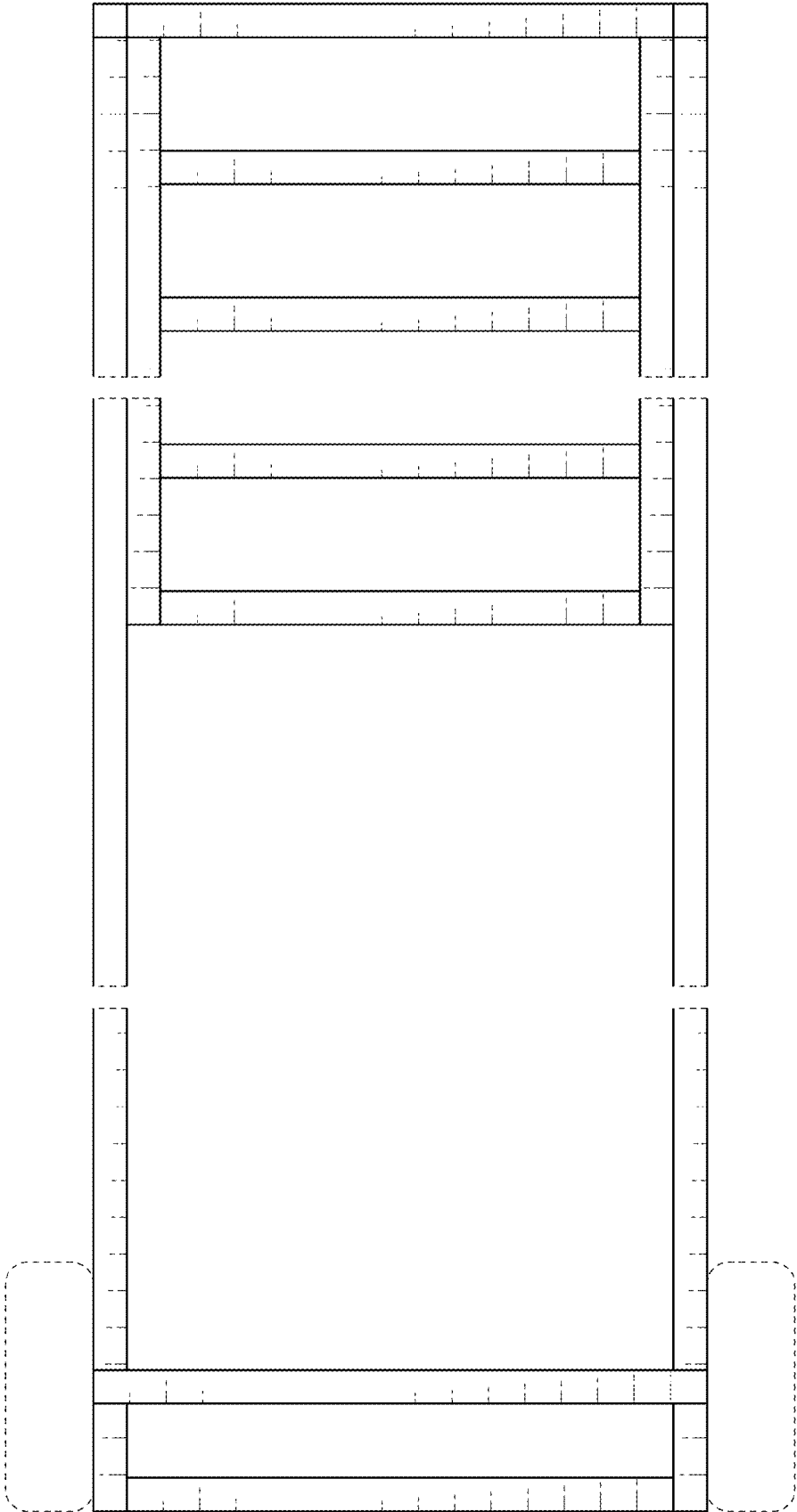


FIG. 13

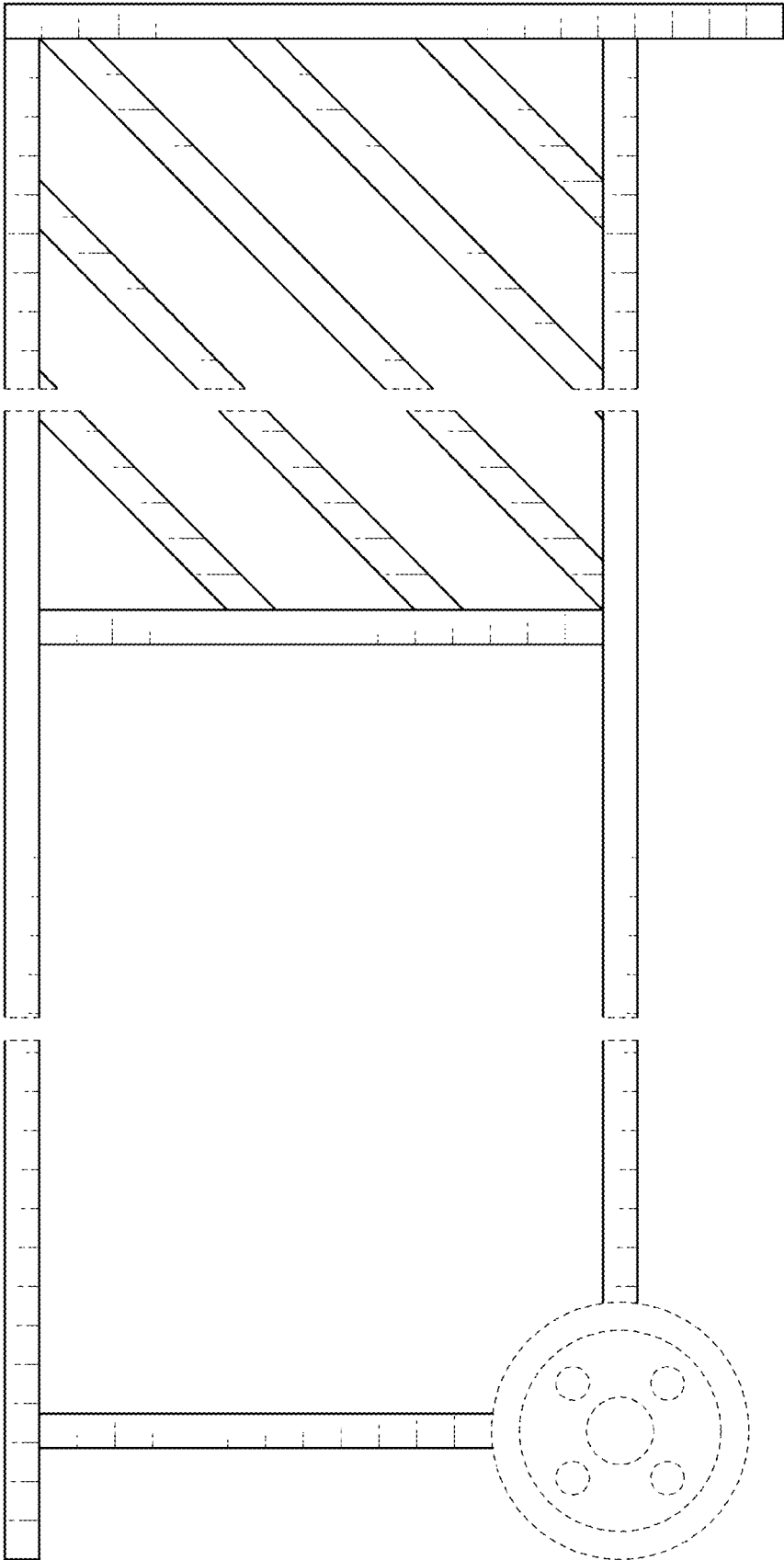


FIG. 14

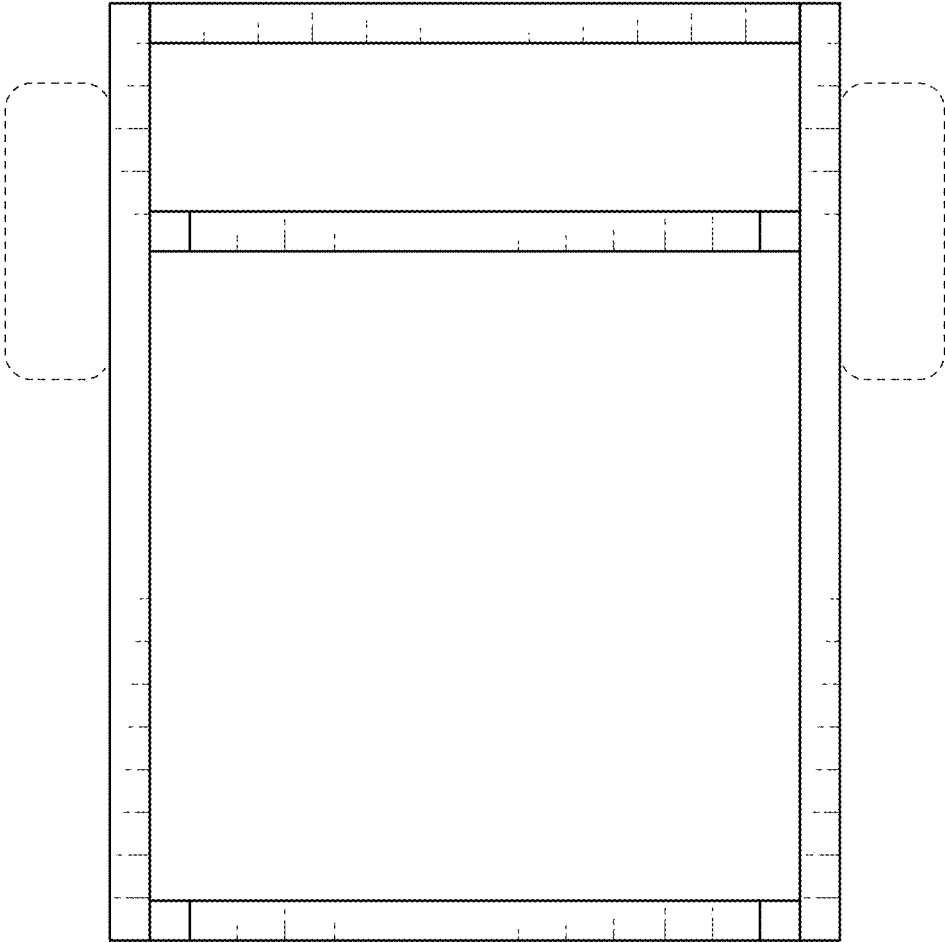


FIG. 15