



US0D1007393S

(12) **United States Design Patent** (10) **Patent No.:** **US D1,007,393 S**
Milette et al. (45) **Date of Patent:** **** Dec. 12, 2023**

(54) **FLUID TANK**

(71) Applicant: **SHAW DEVELOPMENT, LLC**,
Bonita Springs, FL (US)

(72) Inventors: **Steven Richard Milette**, Naples, FL
(US); **Suyog Jalwankar**, Fort Myers,
FL (US); **Sree Hyma Sudhakar**
Paruchuri, Bonita Springs, FL (US);
Peter Alan Sutton, Bonita Springs, FL
(US)

(73) Assignee: **SHAW DEVELOPMENT, LLC**,
Bonita Springs, FL (US)

(**) Term: **15 Years**

(21) Appl. No.: **29/798,330**

(22) Filed: **Jul. 7, 2021**

(51) **LOC (14) Cl.** **12-16**

(52) **U.S. Cl.**
USPC **D12/218**

(58) **Field of Classification Search**
USPC D12/218, 219, 220; D23/202, 203, 204,
D23/205, 206; D15/1, 5, 17, 28
CPC B60P 1/00; B60P 3/00; B60P 7/00; B60T
5/00; B60T 8/344; B60T 11/26; B60T
13/10; B60T 13/24; B60T 13/58; B60K
11/02; B60K 15/03; B60K 15/04; B63H
25/30; B63H 20/00; B63H 20/08; B63H
5/00; B63H 21/00; B60H 20/12; B60H
20/32; B60H 25/00; B60H 25/06
See application file for complete search history.

(56) **References Cited**

U.S. PATENT DOCUMENTS

D235,583 S * 6/1975 Parry D12/218
4,960,153 A 10/1990 Bergsma
5,600,866 A * 2/1997 Berfield A47L 11/4044
15/322
5,628,423 A 5/1997 Yoshino

5,778,926 A 7/1998 Tanaka et al.
D435,503 S * 12/2000 Gukeisen D12/218
D467,009 S * 12/2002 Agee D25/113
D467,841 S * 12/2002 Klein D12/95
(Continued)

FOREIGN PATENT DOCUMENTS

CN 1147209 A 4/1997
CN 1938569 A 3/2007
(Continued)

OTHER PUBLICATIONS

Enclosure Hammond Trapezoid Black, Aug. 1, 2014, Amazon
[online], [Site Visit Nov. 22, 2022], URL: <https://www.amazon.com/Enclosure-Hammond-1590TRPCBK-Trapezoid-Black/dp/B00MBUIVVC> (Year: 2014) (Year: 2014).
(Continued)

Primary Examiner — Calvin E Vansant
Assistant Examiner — Giang Hoang Tran
(74) *Attorney, Agent, or Firm* — McDonald Hopkins LLC

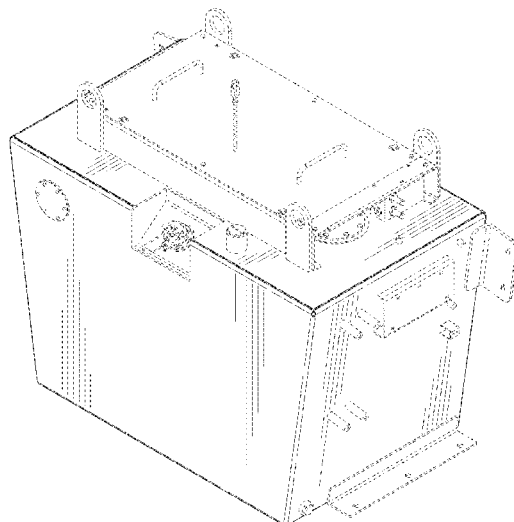
(57) **CLAIM**

The ornamental design for a fluid tank, as shown and described.

DESCRIPTION

FIG. 1 is a perspective view of a fluid tank showing our new design;
FIG. 2 is a front view thereof;
FIG. 3 is a rear view thereof;
FIG. 4 is a first side view thereof;
FIG. 5 is a second side view thereof;
FIG. 6 is a top view thereof; and,
FIG. 7 is a bottom view thereof.
The broken lines in the figures are included for the purpose of illustrating portions of a fluid tank and form no part of the claimed design.

1 Claim, 6 Drawing Sheets



(56)

References Cited

U.S. PATENT DOCUMENTS

6,591,857 B2 7/2003 Engle et al.
 D497,970 S * 11/2004 Nichols D23/202
 D530,662 S * 10/2006 Kokkonen D13/101
 D626,821 S * 11/2010 Hikoyama D8/380
 D627,213 S * 11/2010 Hikoyama D8/380
 D647,167 S * 10/2011 Arrigoni D23/202
 D647,168 S * 10/2011 Lerner D23/202
 D647,219 S * 10/2011 MacDonald D25/113
 D652,153 S * 1/2012 Hammer D25/113
 D663,858 S * 7/2012 MacDonald D25/113
 D665,841 S * 8/2012 Williamson D18/56
 D688,814 S * 8/2013 MacDonald D25/114
 D689,203 S * 9/2013 MacDonald D25/114
 D701,814 S * 4/2014 Merchant D12/218
 D708,765 S * 7/2014 MacDonald D25/113
 8,822,887 B2 * 9/2014 Koonce F02M 31/125
 219/202
 D729,722 S * 5/2015 Beadles D15/28
 D752,706 S * 3/2016 LaPant D23/202
 D765,816 S * 9/2016 Claussen D23/202
 9,879,829 B2 1/2018 Delihias
 D855,093 S * 7/2019 Michel D15/150
 D892,971 S * 8/2020 Wettig D15/5
 D909,276 S * 2/2021 Monell D12/218
 D934,774 S * 11/2021 Fellman D12/218

D935,375 S * 11/2021 Fellman D12/218
 D942,920 S * 2/2022 Monell D12/218
 2014/0026990 A1 * 1/2014 Delihias F17D 3/01
 137/558
 2015/0198071 A1 * 7/2015 Hudgens F01N 3/2066
 210/295
 2022/0355661 A1 * 11/2022 Stuck C09D 5/002

FOREIGN PATENT DOCUMENTS

CN 201461164 U 5/2010
 EP 1591294 A2 11/2005

OTHER PUBLICATIONS

Enclosure Boxes Cases Trapezoid Orange, Oct. 26, 2014, Amazon [online], [Site Visit Nov. 22, 2022], URL: <https://www.amazon.com/Enclosures-Boxes-Cases-TRAPEZOID-3-74x4-79x5-95x1-38/dp/B00GRKXLMQ> (Year: 2014) (Year: 2014).
 Enclosure Boxes Cases Trapezoid Orange, Oct. 26, 2014, Amazon [online], [Site Visit May 15, 2023], URL: <https://www.amazon.com/Enclosures-Boxes-Cases-TRAPEZOID-3-74x4-79x5-95x1-38/dp/B00GRKXLMQ> (Year: 2014) (Year: 2014).
 International Search Report and Written Opinion dated Feb. 29, 2012 in International Application Serial No. PCT/US2011/040432.

* cited by examiner

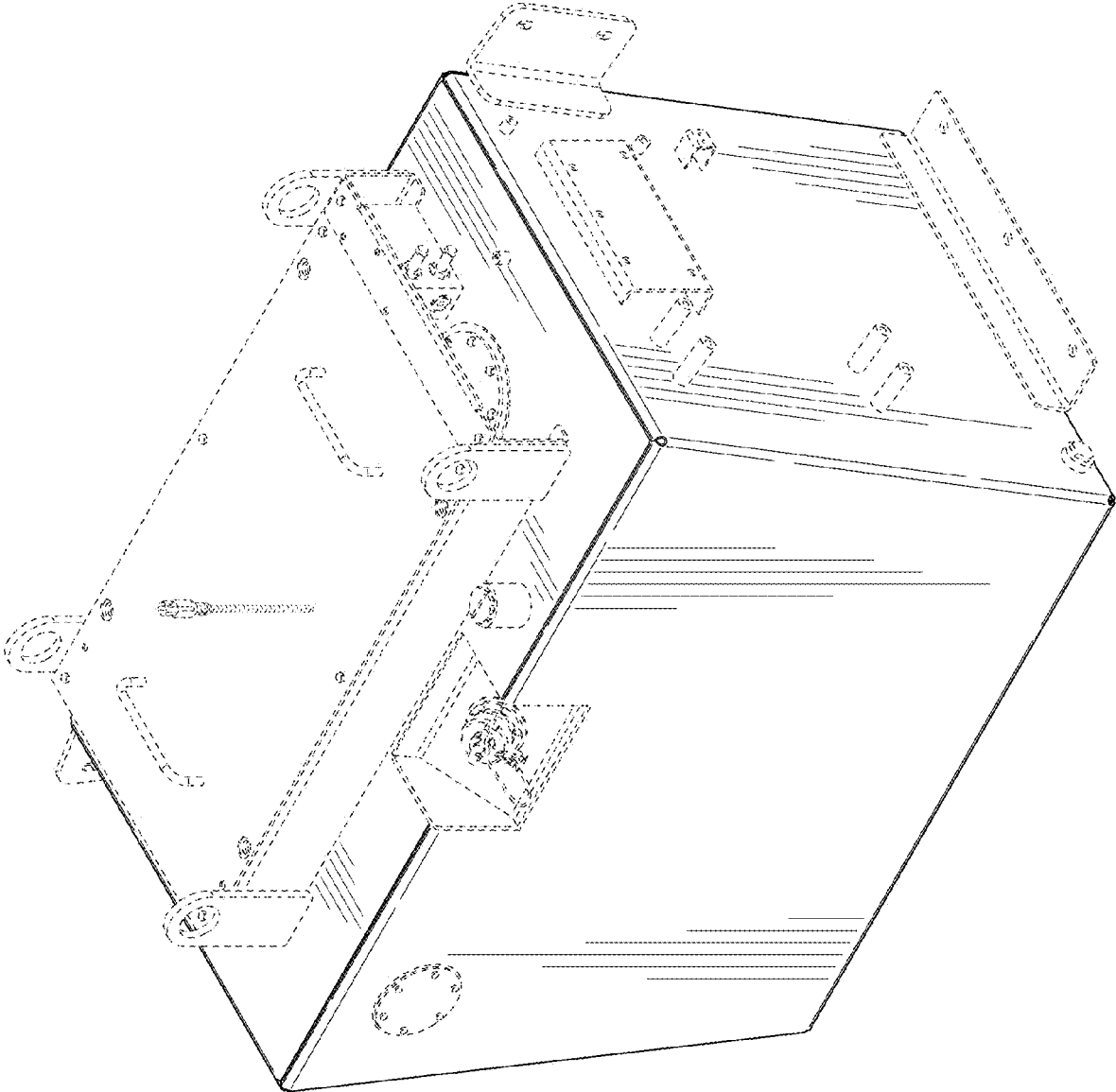


FIG. 1

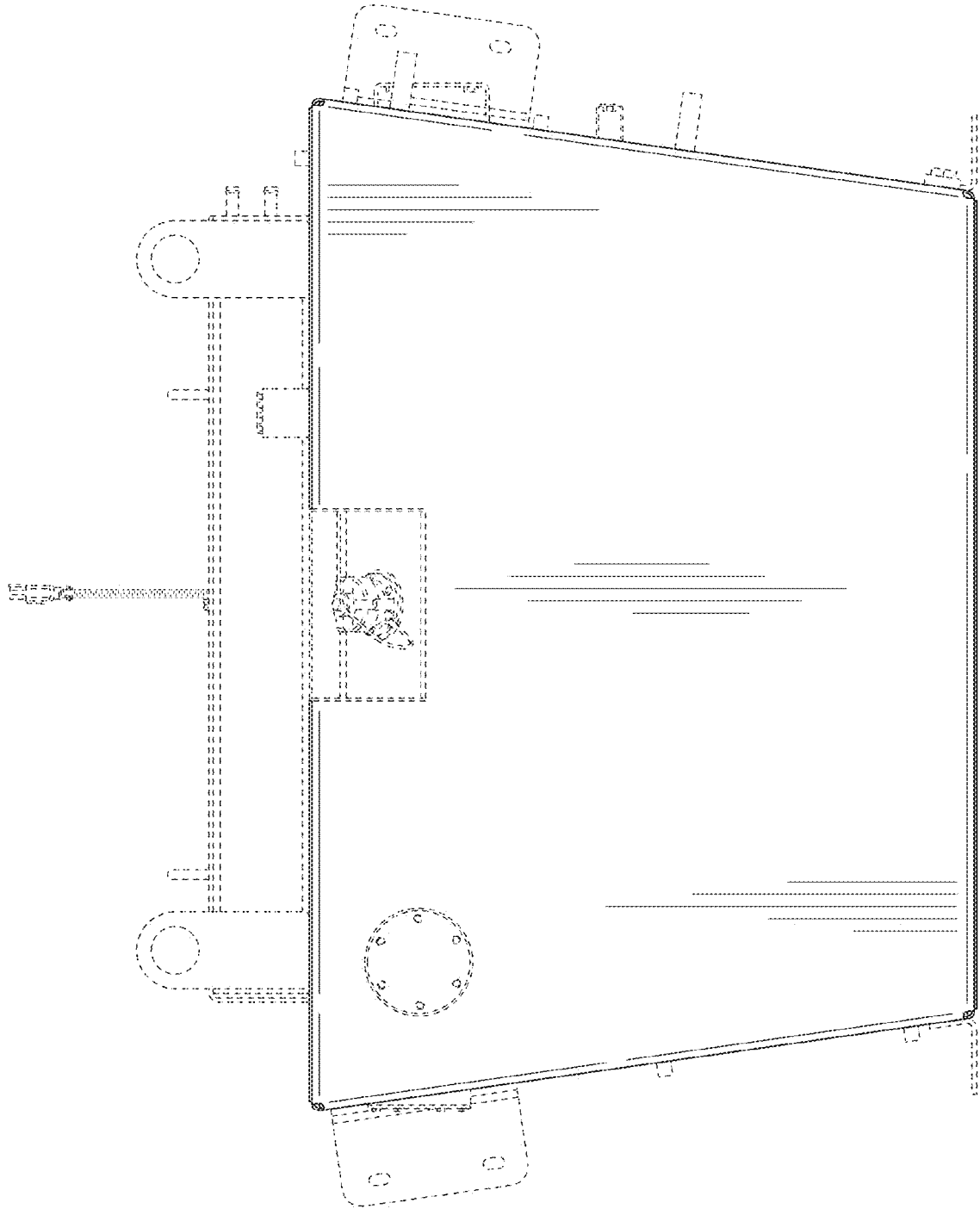


FIG. 2

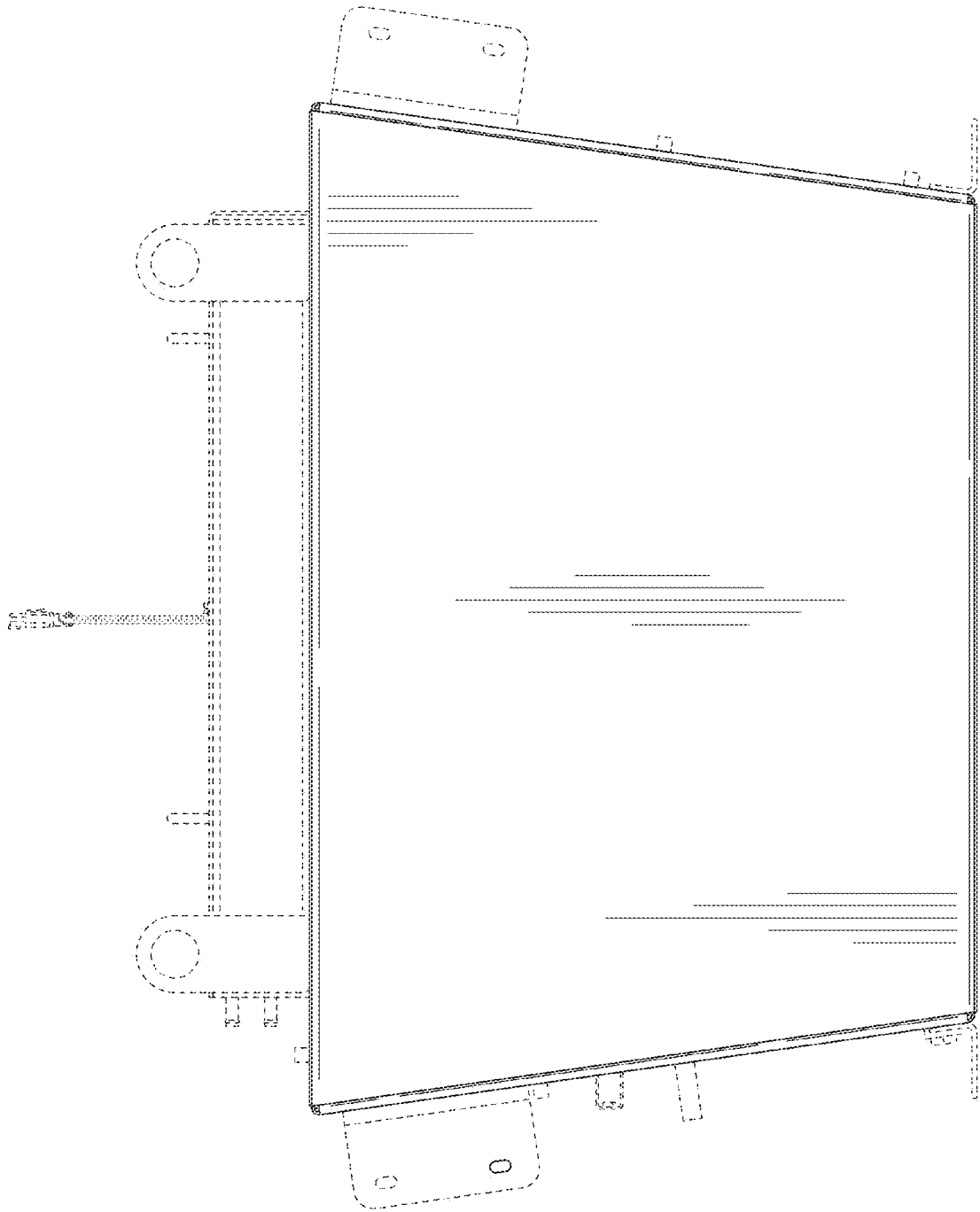


FIG. 3

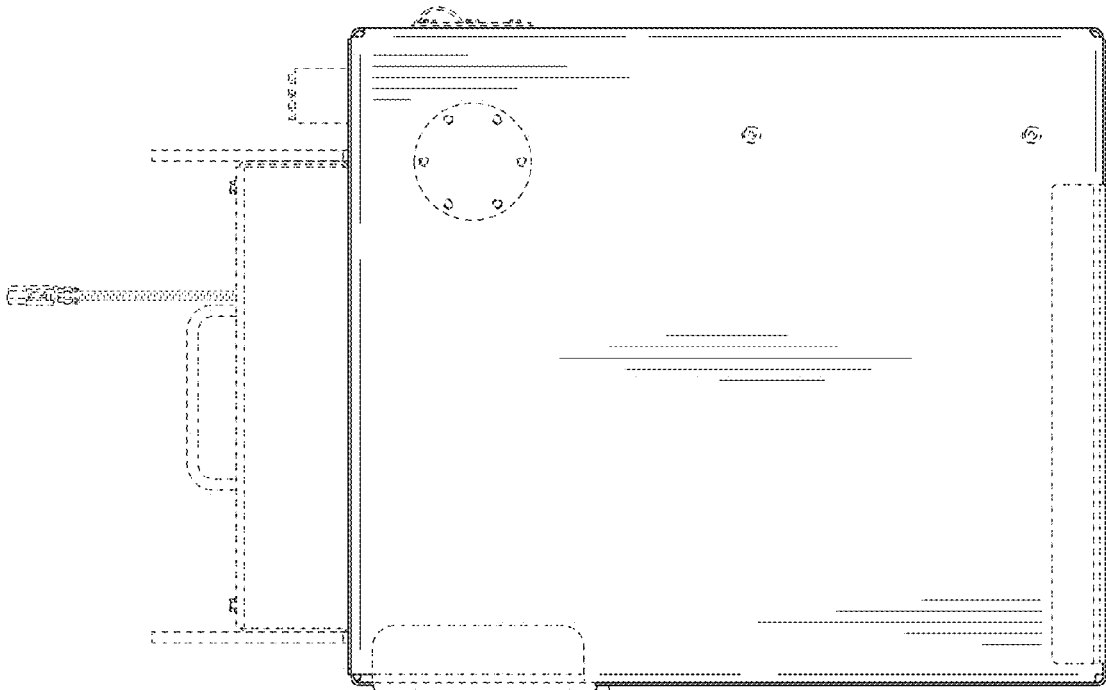


FIG. 5

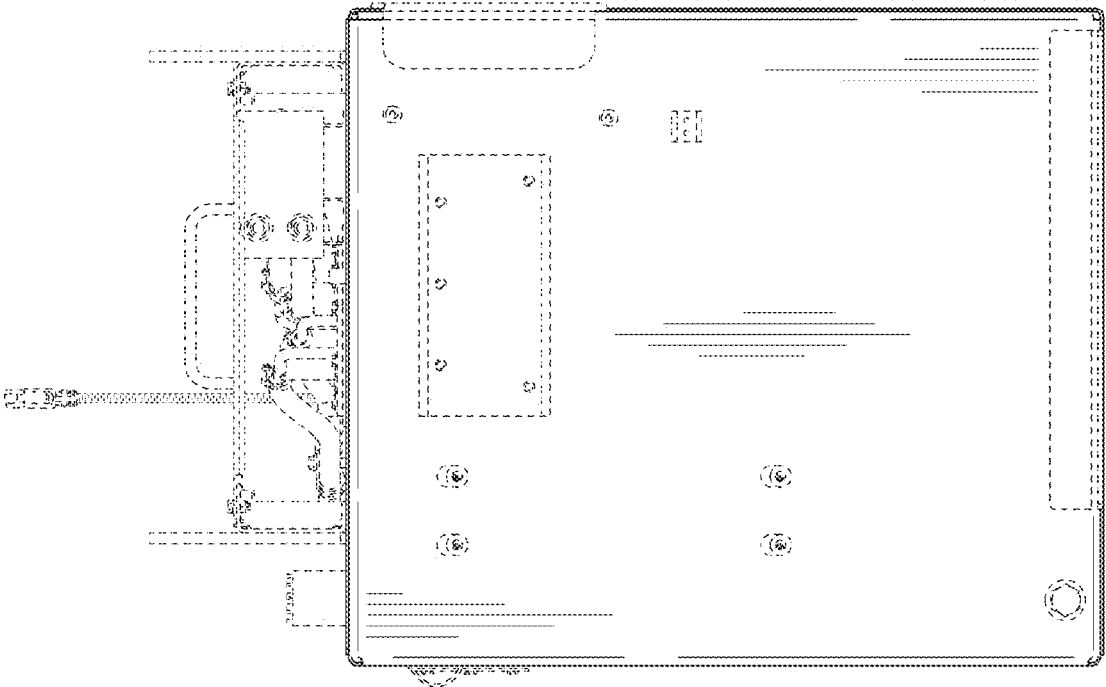


FIG. 4

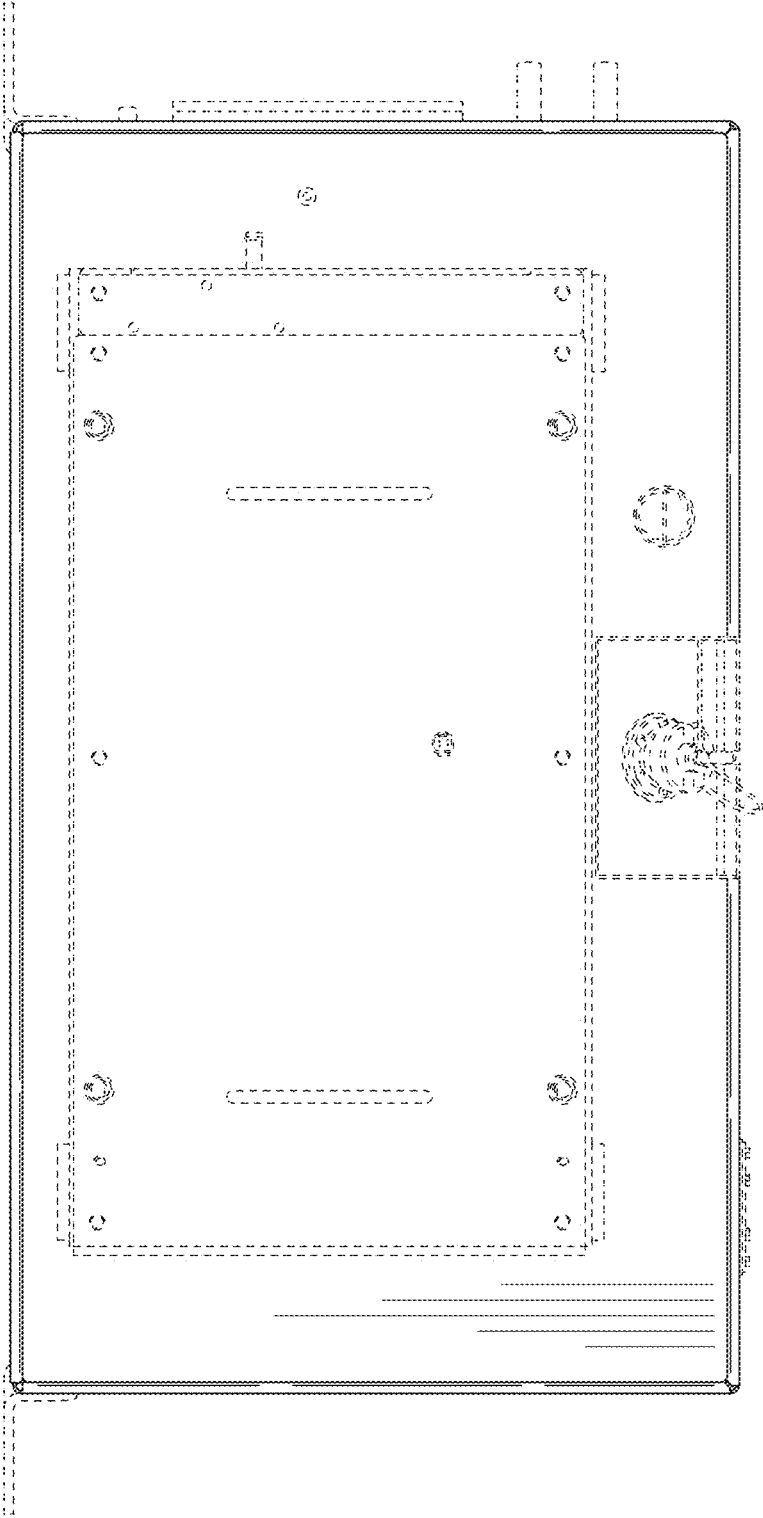


FIG. 6

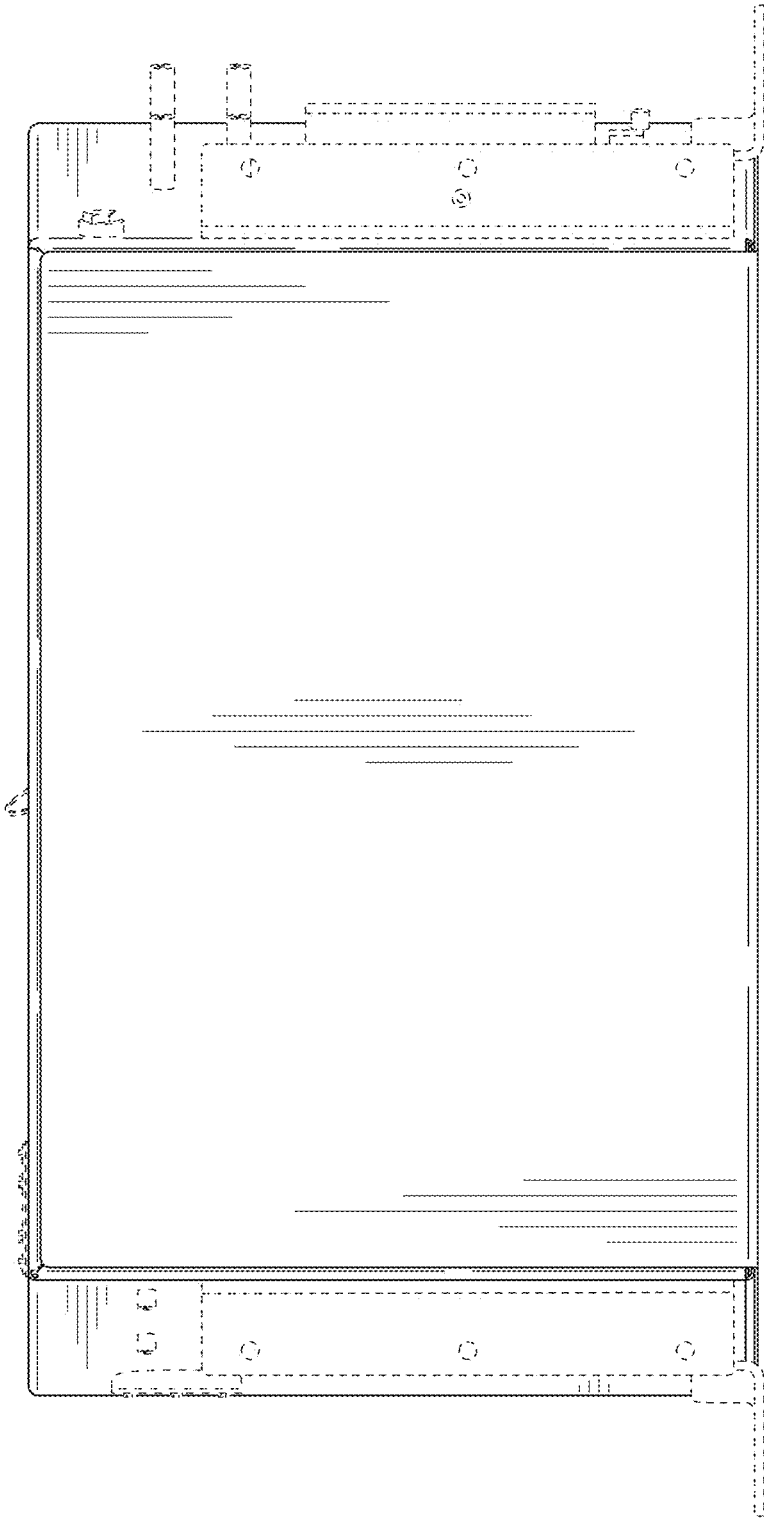


FIG. 7