



US0D1024159S

(12) **United States Design Patent**
Liu

(10) **Patent No.:** **US D1,024,159 S**

(45) **Date of Patent:** **** Apr. 23, 2024**

(54) **SECURITY CAMERA**

FOREIGN PATENT DOCUMENTS

(71) Applicant: **Enqiang Liu**, Shenzhen (CN)

CN 307424787 * 6/2022
CN 307961278 * 4/2023

(72) Inventor: **Enqiang Liu**, Shenzhen (CN)

(**) Term: **15 Years**

OTHER PUBLICATIONS

(21) Appl. No.: **29/817,721**

“INQMEGA Solar Security Camera, 2.4G WiFi Security Cameras Wireless Outdoor, Solar Panel 15000mAh Rechargeable Battery Power, Floodlight , 3MP Night Vision, 2-Way Audio, PIR Motion Detection Cloud&SD” from Amazon.com, first available Nov. 5, 2021 from the internet <<https://www.amazon.com/Security-INQMEGA-Rechargeable-Floodlight%EF%BC%8C1080P-Detection/dp/B09L4JZM4J?th=1>> (Year: 2021).*

(22) Filed: **Dec. 3, 2021**

(51) **LOC (14) Cl.** **16-01**

(52) **U.S. Cl.** **D16/203**
USPC **D16/203**

(58) **Field of Classification Search**

USPC D16/200–203, 207–208, 214, 218–219;
D10/46, 61, 62, 65, 70, 71, 104.1, 106.6,
D10/106.7, 109.1, 109.2, 114.8, 121
CPC G03B 17/00; G03B 17/02; G03B 17/56;
G03B 2217/00; H04N 23/50

See application file for complete search history.

(Continued)

Primary Examiner — Elizabeth J Oswecki
Assistant Examiner — Lacey Chey Bowman

(56) **References Cited**

(57) **CLAIM**

The ornamental design for a security camera, as shown and described.

U.S. PATENT DOCUMENTS

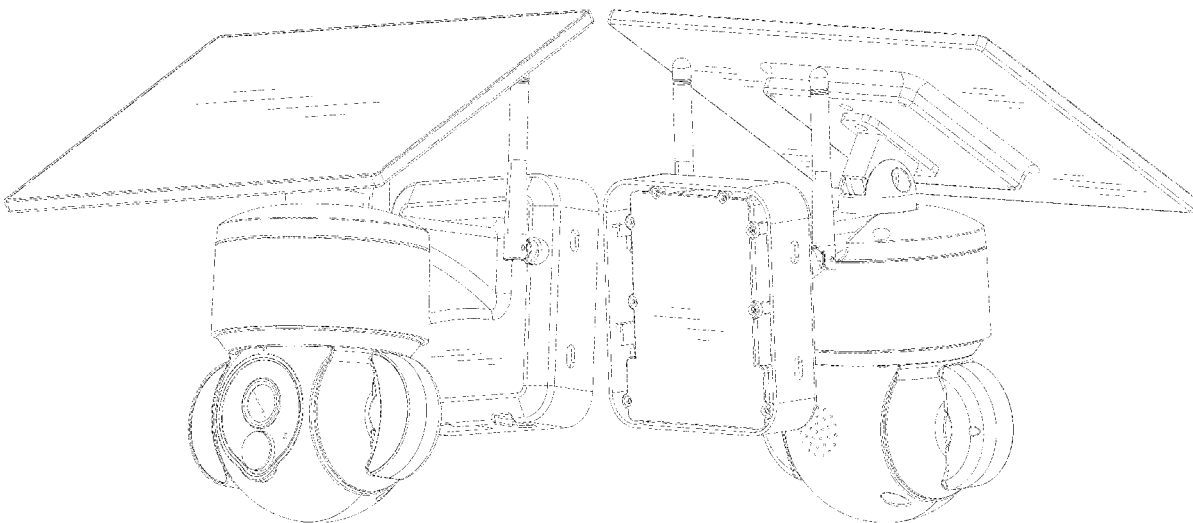
DESCRIPTION

D734,379	S	*	7/2015	Tankersley	D16/203
D924,961	S	*	7/2021	Xu	D16/203
D942,524	S	*	2/2022	Xu	D16/203
D952,022	S	*	5/2022	Yang	D16/203
D956,851	S	*	7/2022	Zhang	D16/203
D961,651	S	*	8/2022	Yan	D16/203
D963,728	S	*	9/2022	Liu	D16/203
D966,393	S	*	10/2022	Liu	D16/203
D973,750	S	*	12/2022	Xu	D16/203
D975,162	S	*	1/2023	Feng	D16/203
D980,894	S	*	3/2023	Yan	D16/203
D988,389	S	*	6/2023	Chen	D16/203
D989,152	S	*	6/2023	Liu	D16/203
D990,542	S	*	6/2023	Jia	D16/203
D995,607	S	*	8/2023	Liu	D16/203
D1,001,869	S	*	10/2023	Xia	D16/203
D1,008,336	S	*	12/2023	Chen	D16/203
2023/0023735	A1	*	1/2023	Jones	G03B 15/03

(Continued)

FIG. 1 is a front, right and bottom perspective view of a security camera showing my new design;
FIG. 2 is a front, left and top perspective view thereof;
FIG. 3 is a rear, left and top perspective view thereof;
FIG. 4 is a rear, right and bottom perspective view thereof;
FIG. 5 is a front view thereof;
FIG. 6 is a rear view thereof;
FIG. 7 is a left view thereof;
FIG. 8 is a right view thereof;
FIG. 9 is a top view thereof; and,
FIG. 10 is a bottom view thereof.
The broken lines depict portions of the security camera and form no part of the claimed design.

1 Claim, 10 Drawing Sheets



(56)

References Cited

U.S. PATENT DOCUMENTS

2023/0122641 A1* 4/2023 Zhang G03B 17/561
396/427

OTHER PUBLICATIONS

“Ctronics 2K 4MP 100% Wireless Solar Panel PTZ camera with PIR Sensor Human Detection” from Ctronics.com, first retrieved Jul. 23, 2023 from the internet <<https://ctronics.com/products/ctronics-2k-4mp-100-wireless-solar-panel-ptz-camera-with-pir-sensor-human-detection>> (Year: 2023).*

* cited by examiner

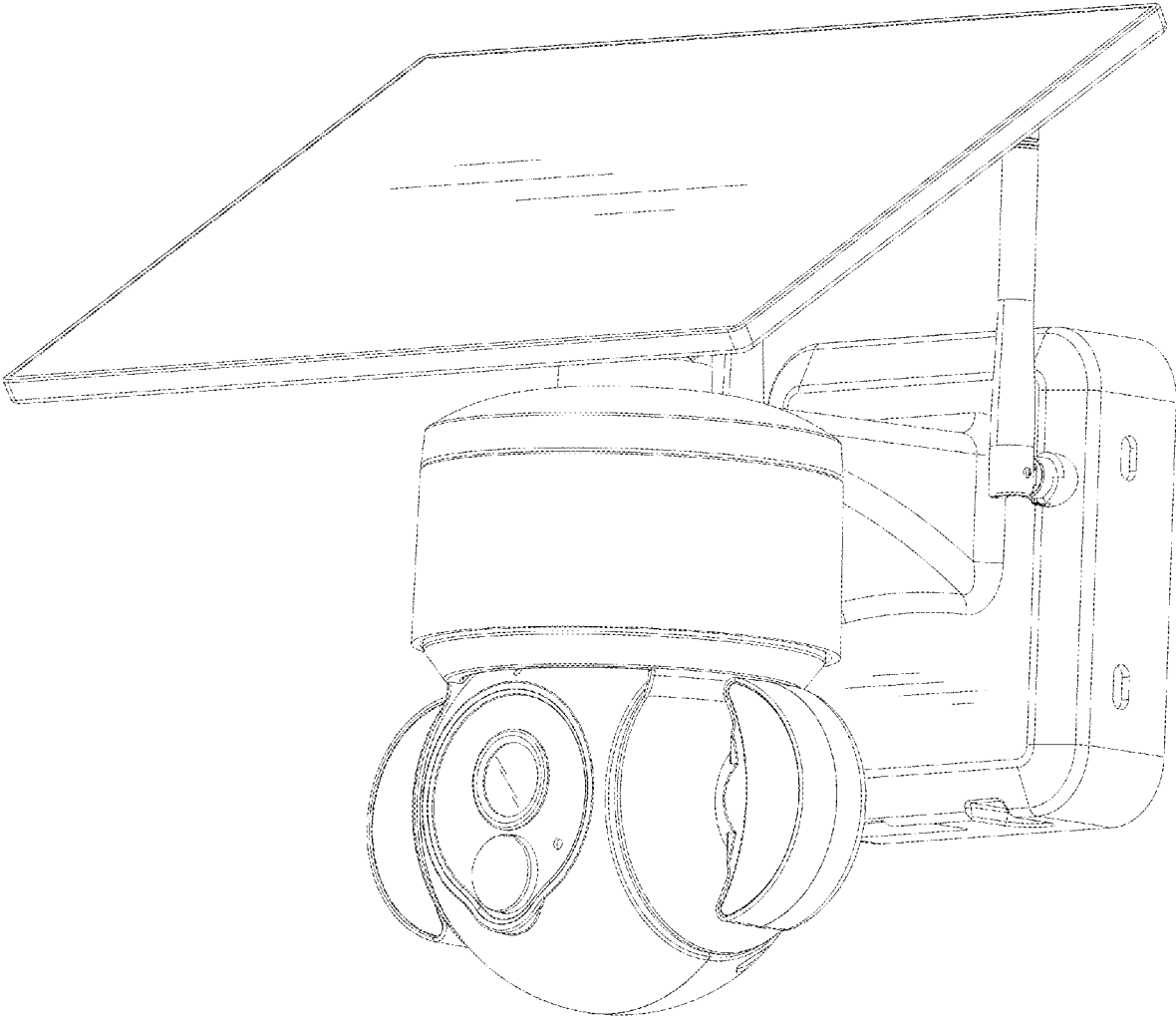


FIG. 1

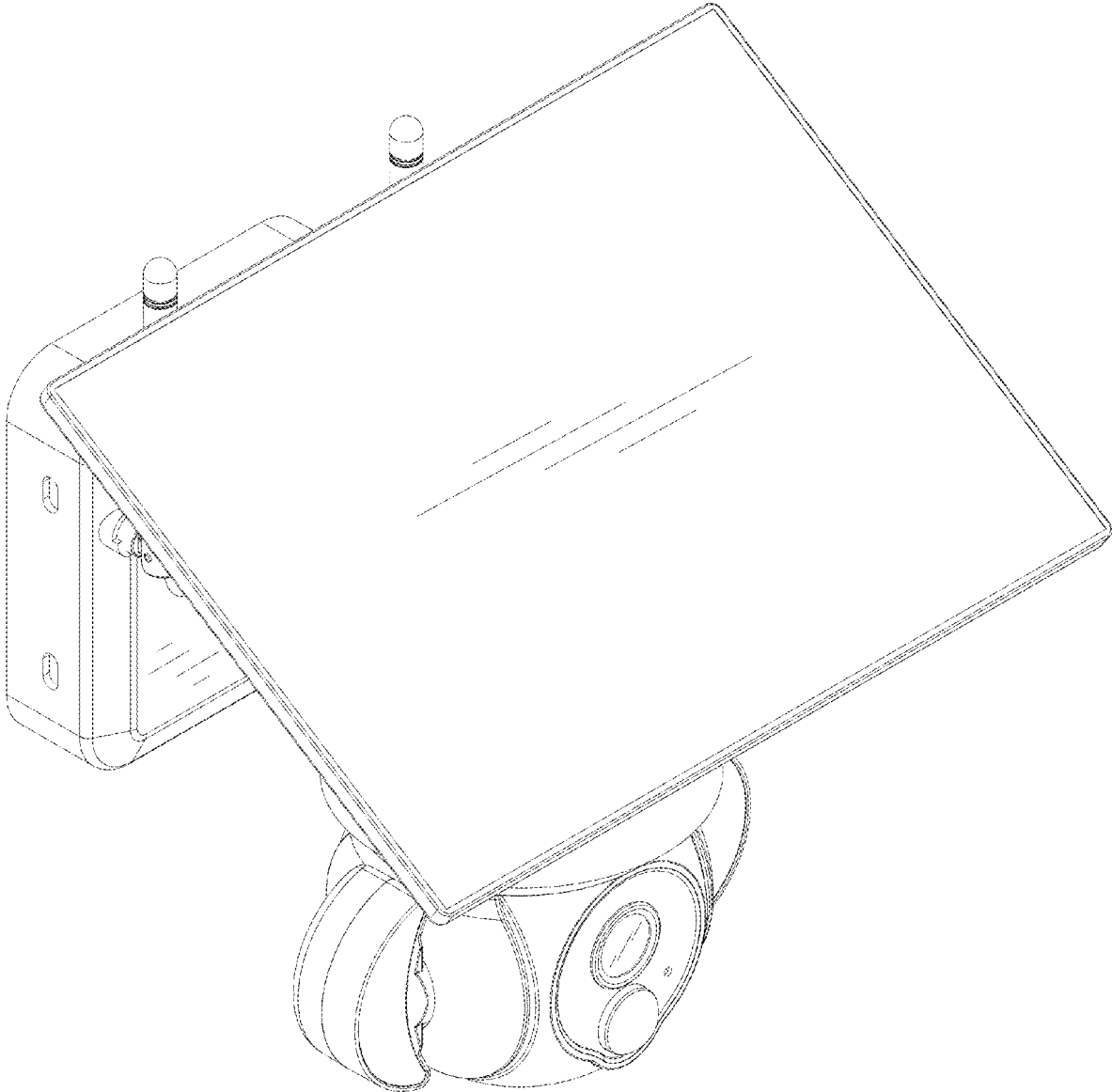


FIG. 2

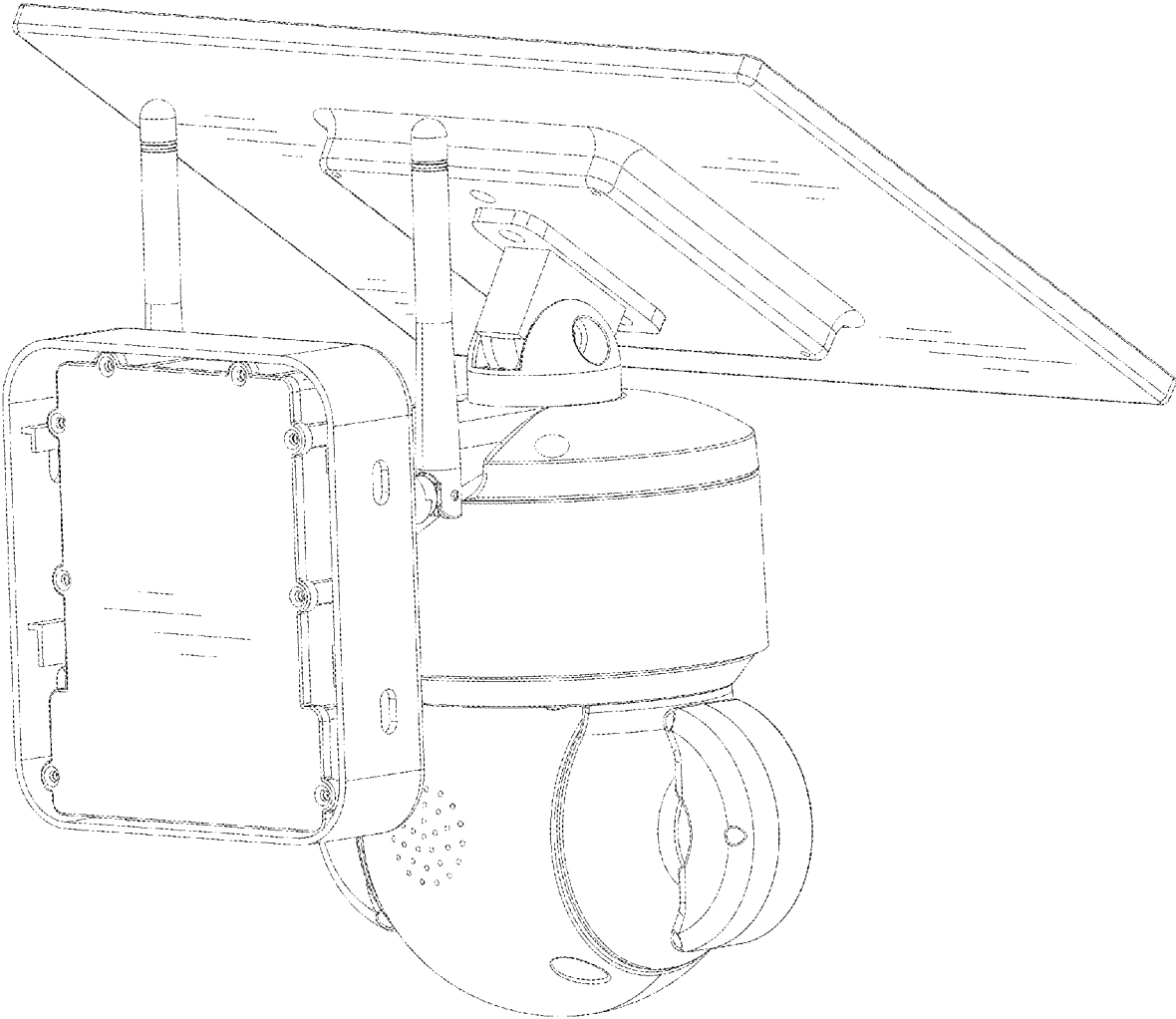


FIG. 3

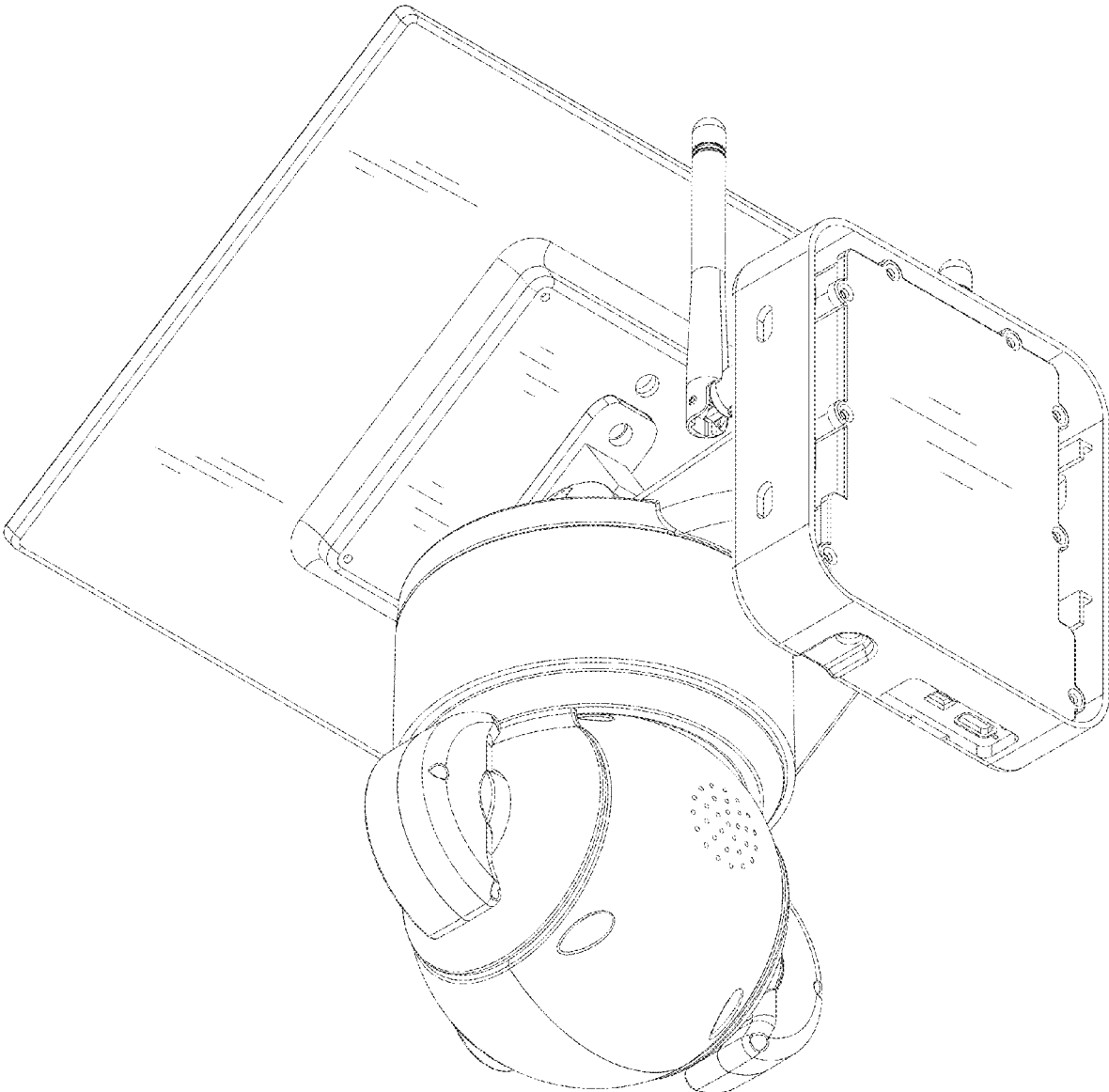


FIG. 4

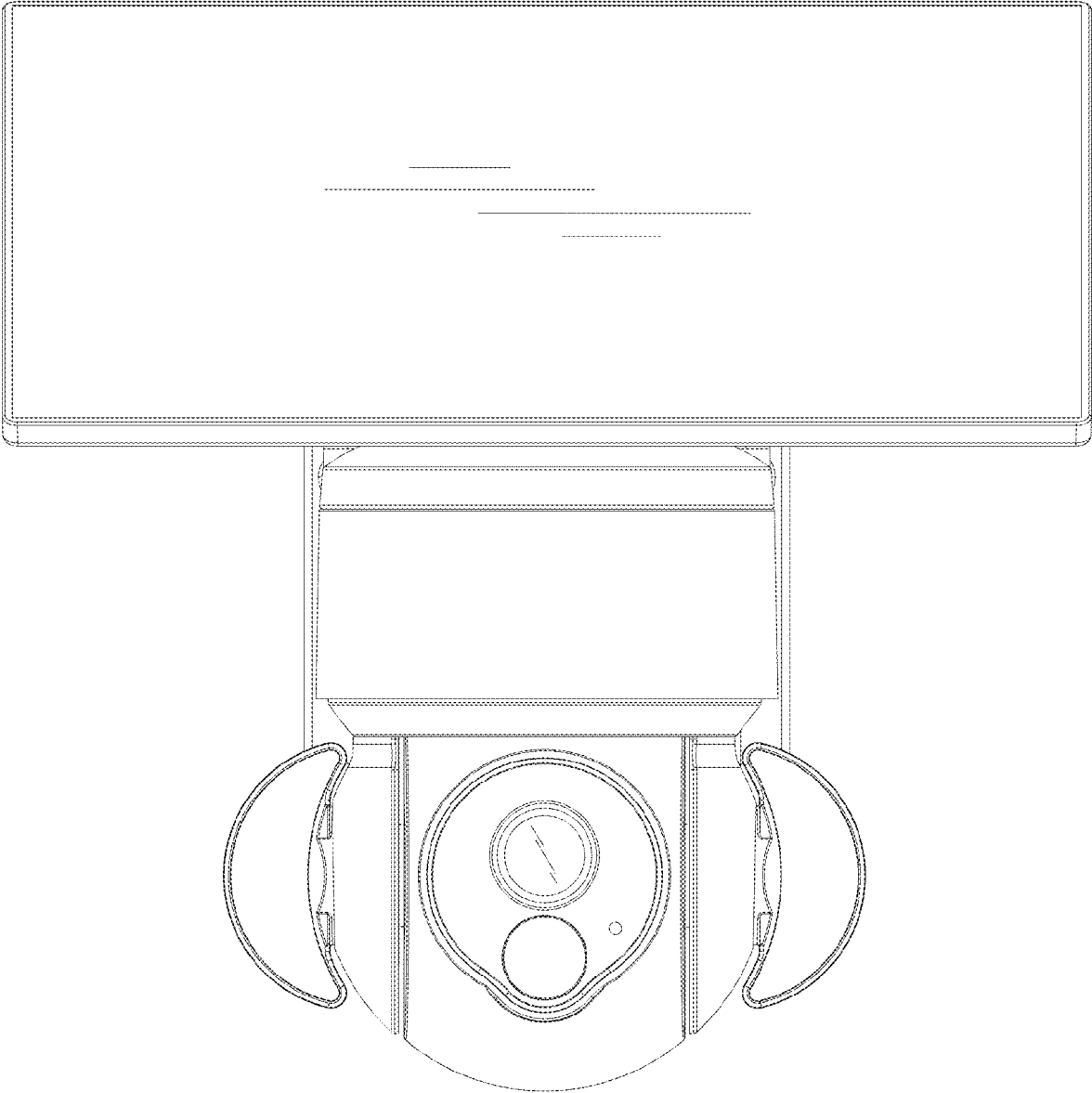


FIG. 5

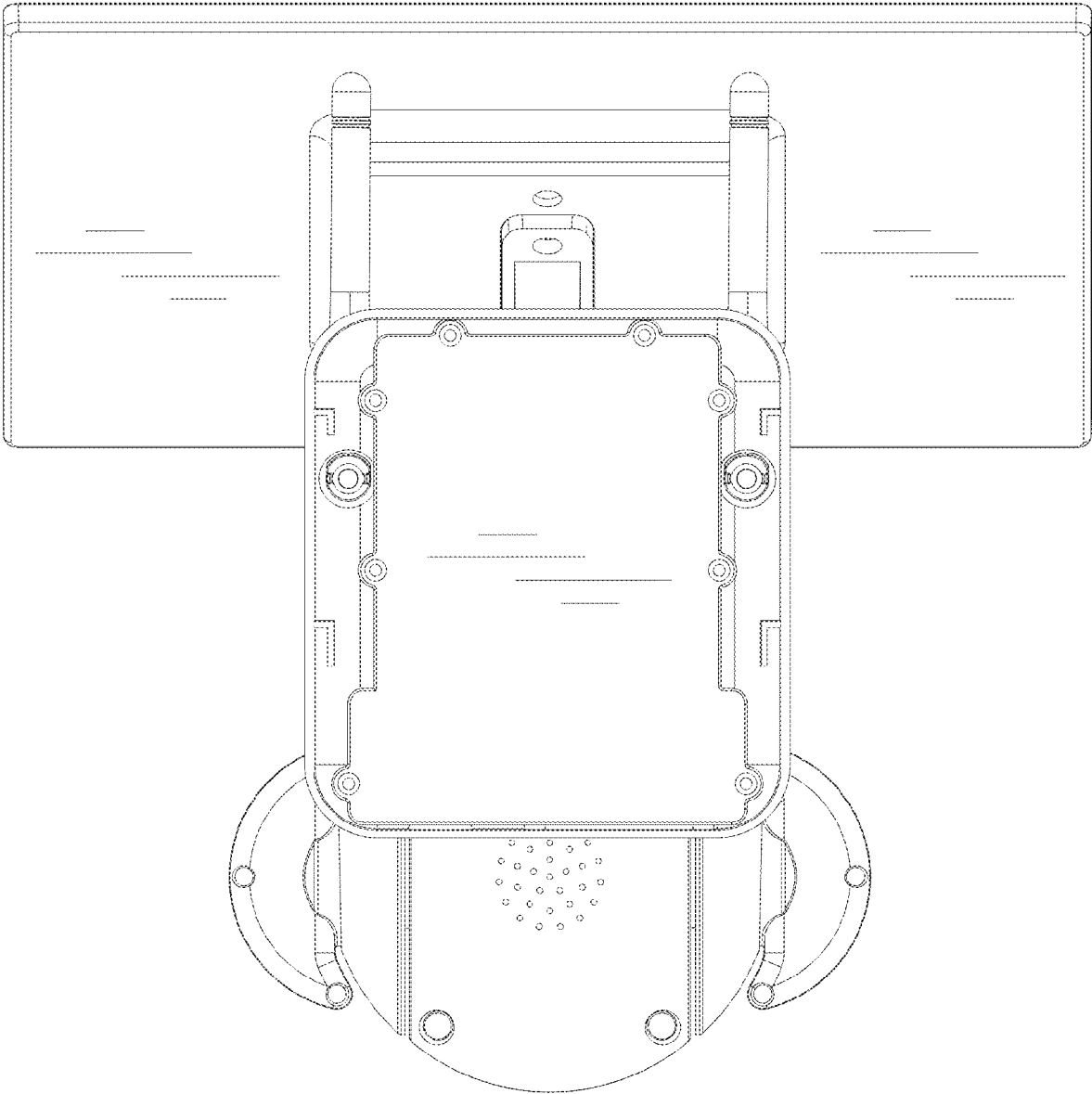


FIG. 6

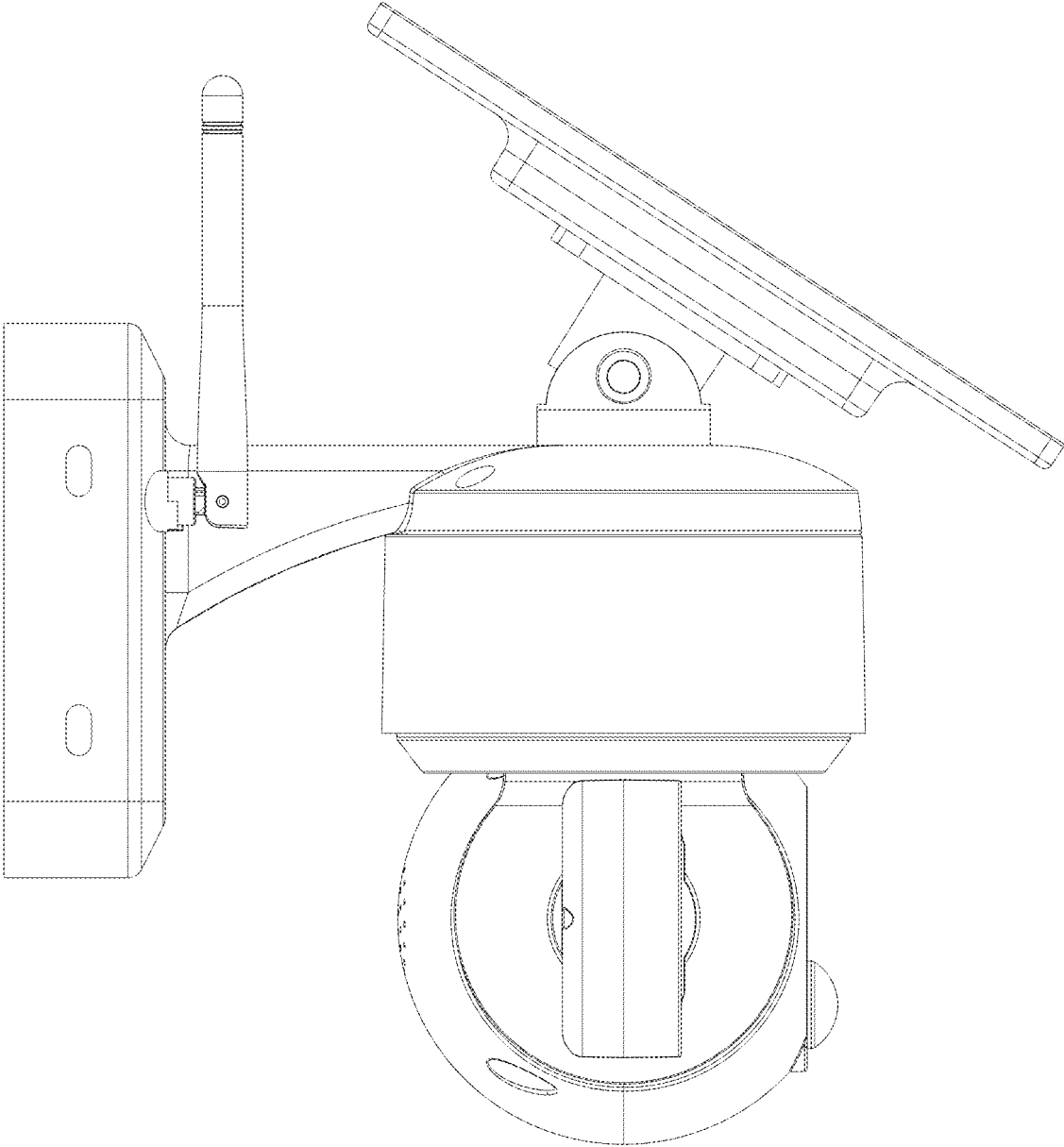


FIG. 7

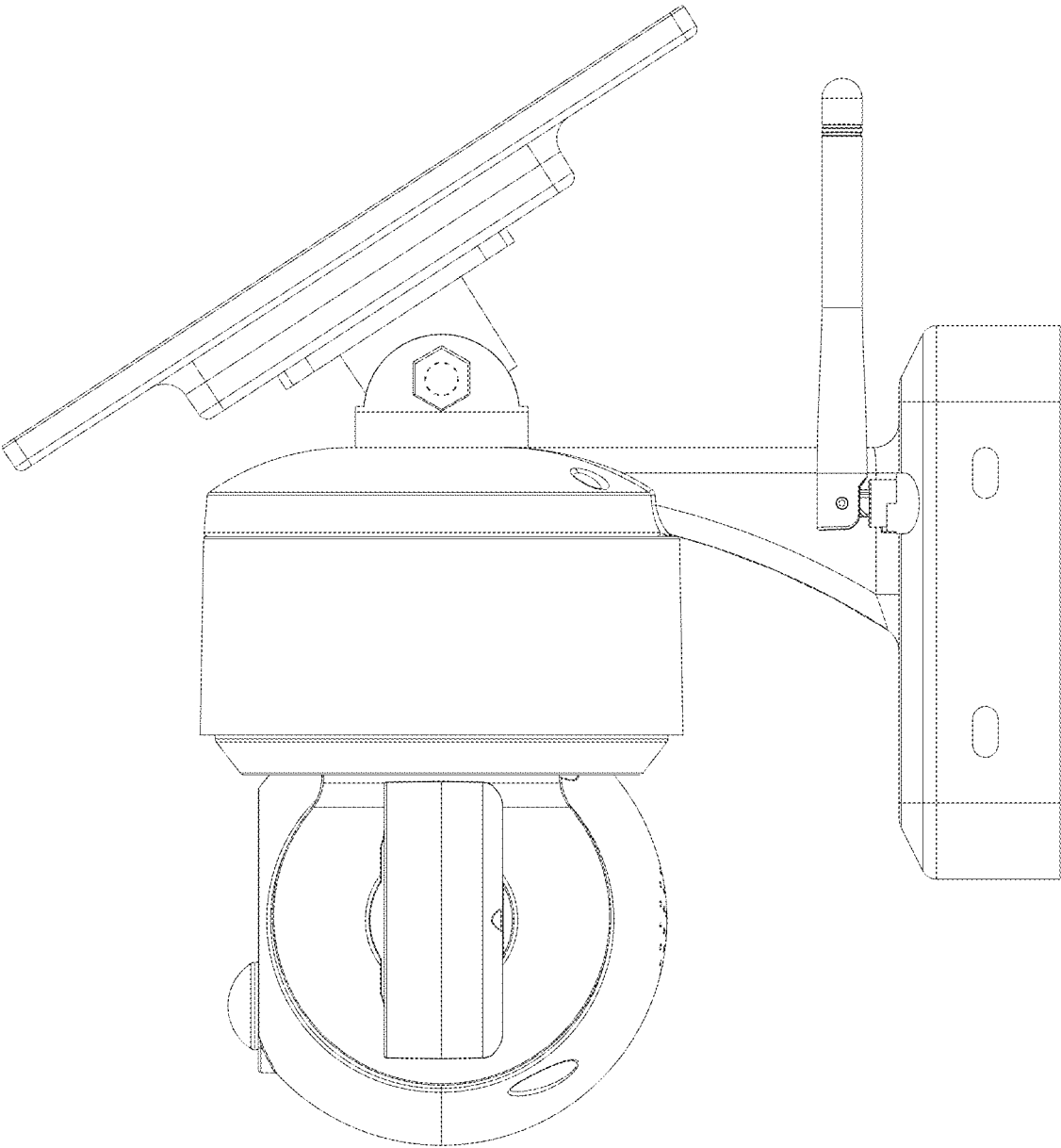


FIG. 8

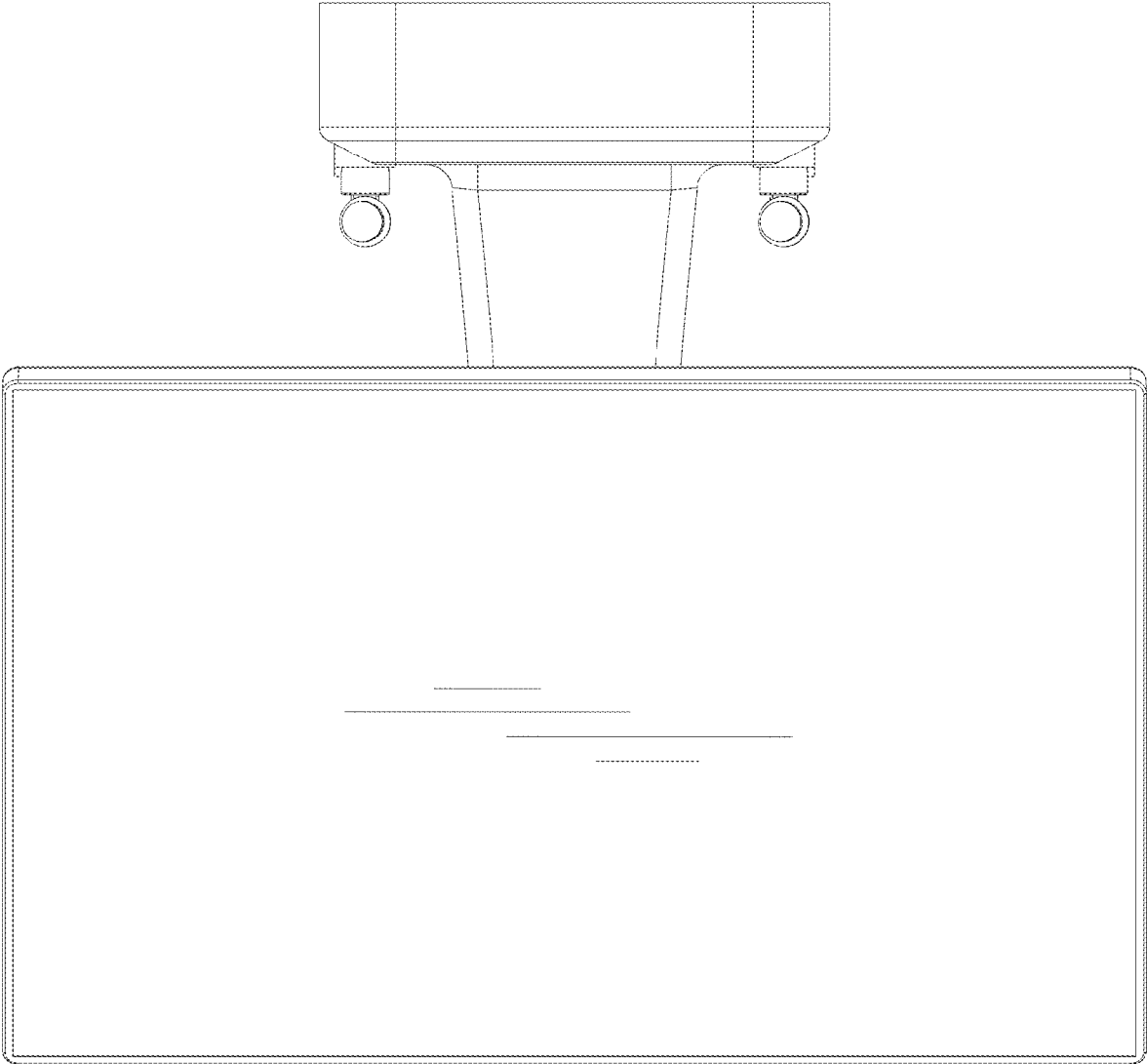


FIG. 9

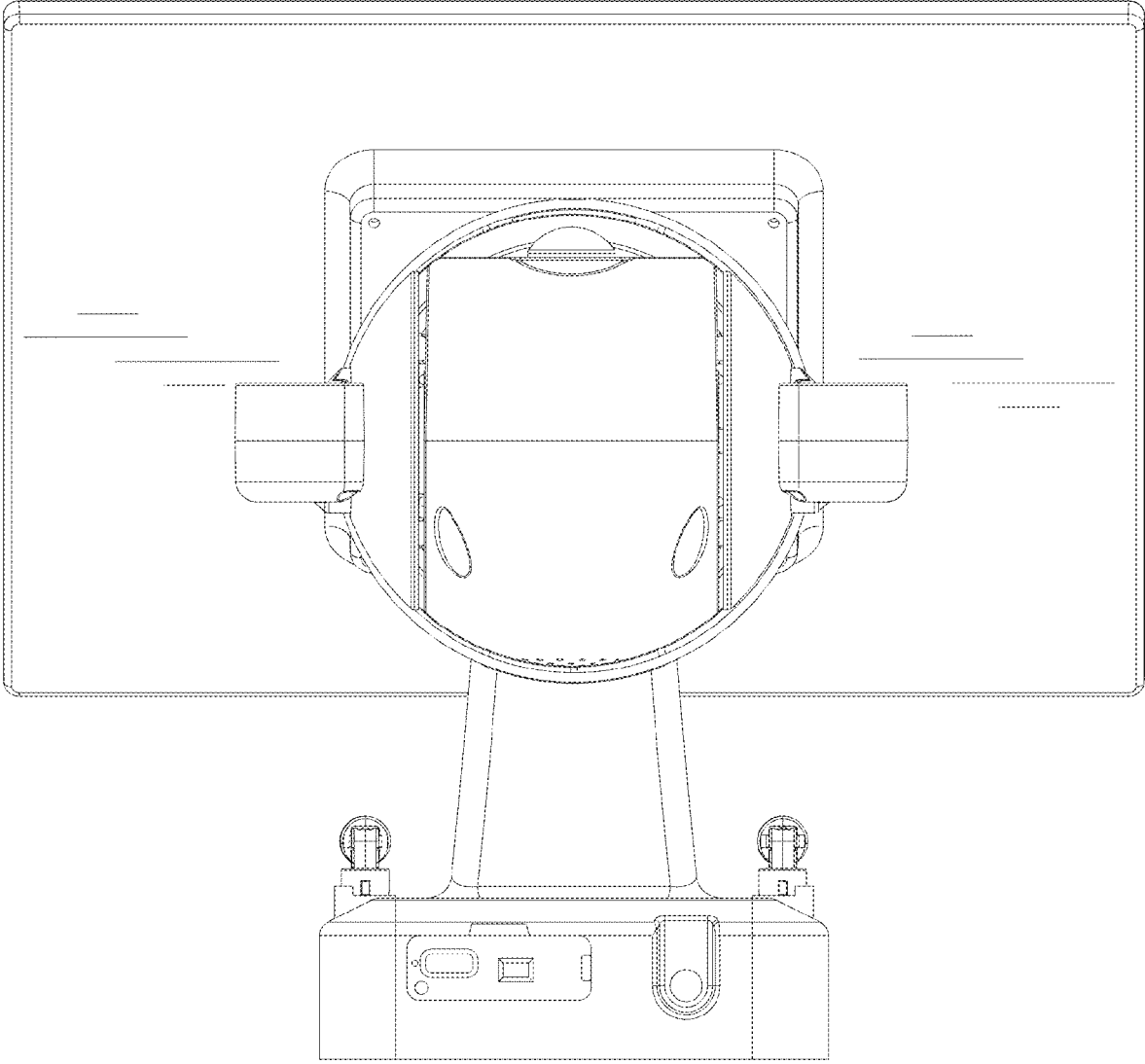


FIG. 10