



US00D578802S

(12) **United States Design Patent**
Russell et al.

(10) **Patent No.:** **US D578,802 S**
(45) **Date of Patent:** **** Oct. 21, 2008**

(54) **PURSE HOLDER**

(75) Inventors: **Brian Russell**, Northfield, IL (US); **Nan Kennedy**, Cary, IL (US)

(73) Assignee: **Giftco, Inc.**, Vernon Hills, IL (US)

(**) Term: **14 Years**

(21) Appl. No.: **29/275,253**

(22) Filed: **Dec. 19, 2006**

(51) **LOC (8) Cl.** **06-04**

(52) **U.S. Cl.** **D6/457**

(58) **Field of Classification Search** D6/300,
D6/310, 457, 553, 418, 320, 326, 396, 449,
D6/453, 466, 570, 514; 211/113, 85.3, 13.1,
211/87.01; 248/214, 309.1

See application file for complete search history.

(56) **References Cited**

U.S. PATENT DOCUMENTS

2,941,672	A	6/1960	Lathrop	
3,063,570	A	11/1962	Kroner	
D315,654	S *	3/1991	Hummel D6/553
5,137,149	A	8/1992	Polacek	
5,452,806	A	9/1995	Campas	
5,584,455	A *	12/1996	Artemi 248/214
D377,123	S *	1/1997	Hutchens D6/323
5,794,800	A	8/1998	Carmo et al.	

6,213,316	B1	4/2001	Gretz	
D496,581	S	9/2004	Shaw et al.	
D546,601	S *	7/2007	Murphy D6/514
2005/0155946	A1	7/2005	Wenzler	
2006/0049124	A1	3/2006	Wang	

* cited by examiner

Primary Examiner—Caron Veynar

Assistant Examiner—Sydney R Buffalow

(74) *Attorney, Agent, or Firm*—Vedder Price P.C.

(57) **CLAIM**

The ornamental design of the purse holder, as shown.

DESCRIPTION

FIG. 1 is a perspective view of the purse holder showing my new design;

FIG. 2 is a top view of my new design;

FIG. 3 is a bottom view of my new design;

FIG. 4 is a front view of my new design;

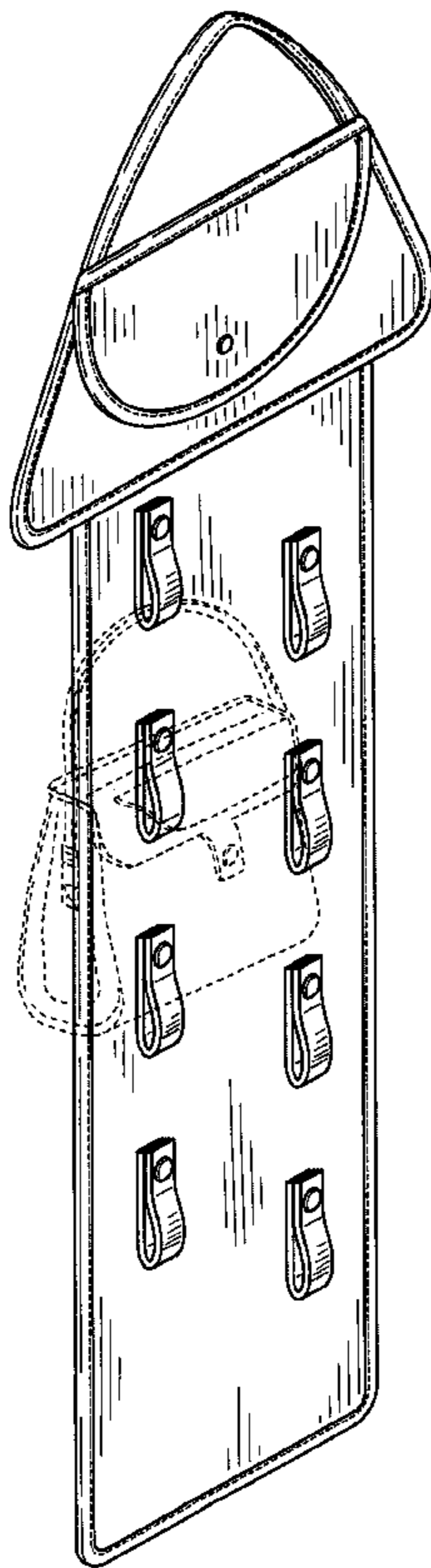
FIG. 5 is a back view of my new design;

FIG. 6 is a view of one side of my new design; and,

FIG. 7 is a view of the other side of my new design.

The broken lines are for the illustrative purposes only and form no part of the claimed design.

1 Claim, 3 Drawing Sheets



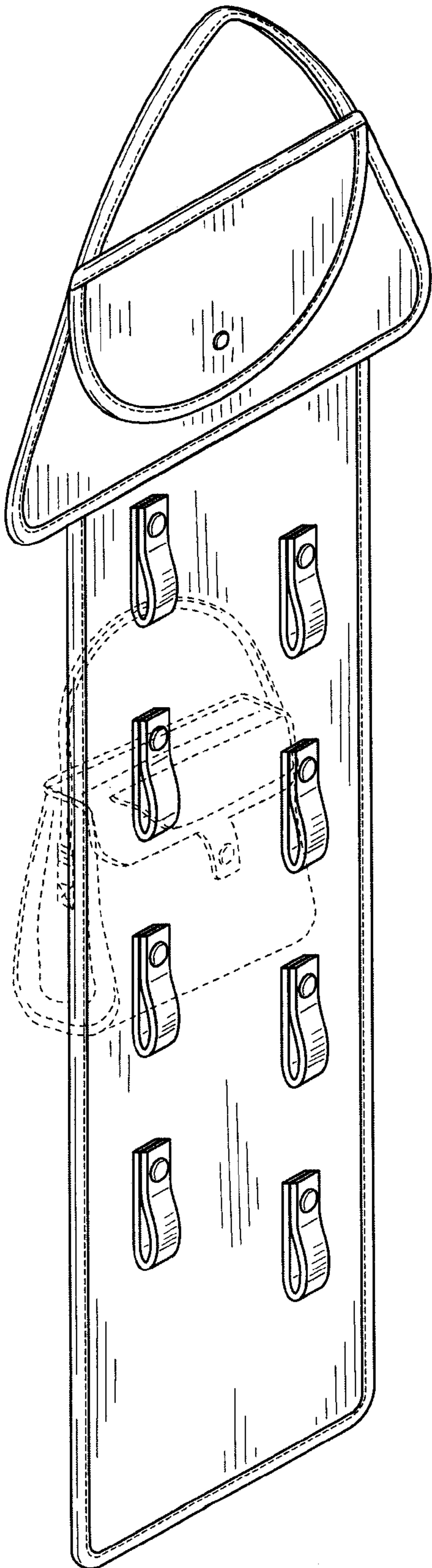


FIG. 1



FIG. 2

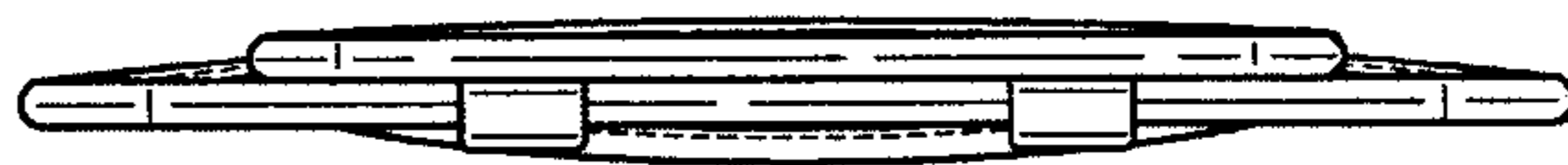


FIG. 3

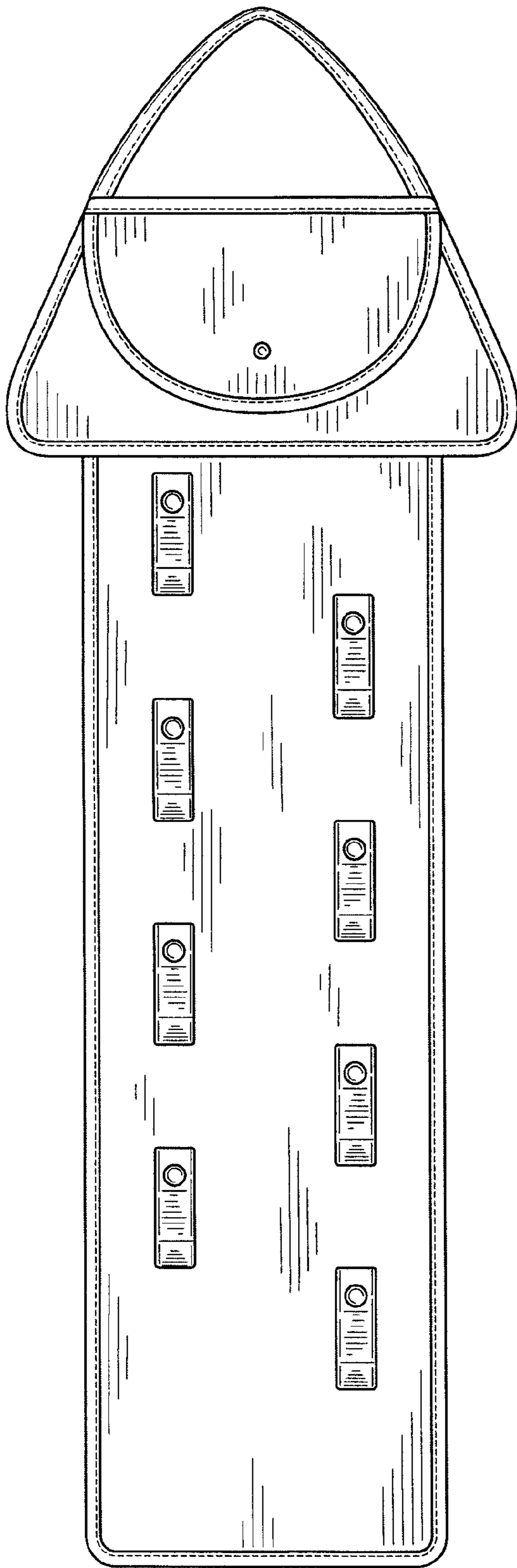


FIG. 4

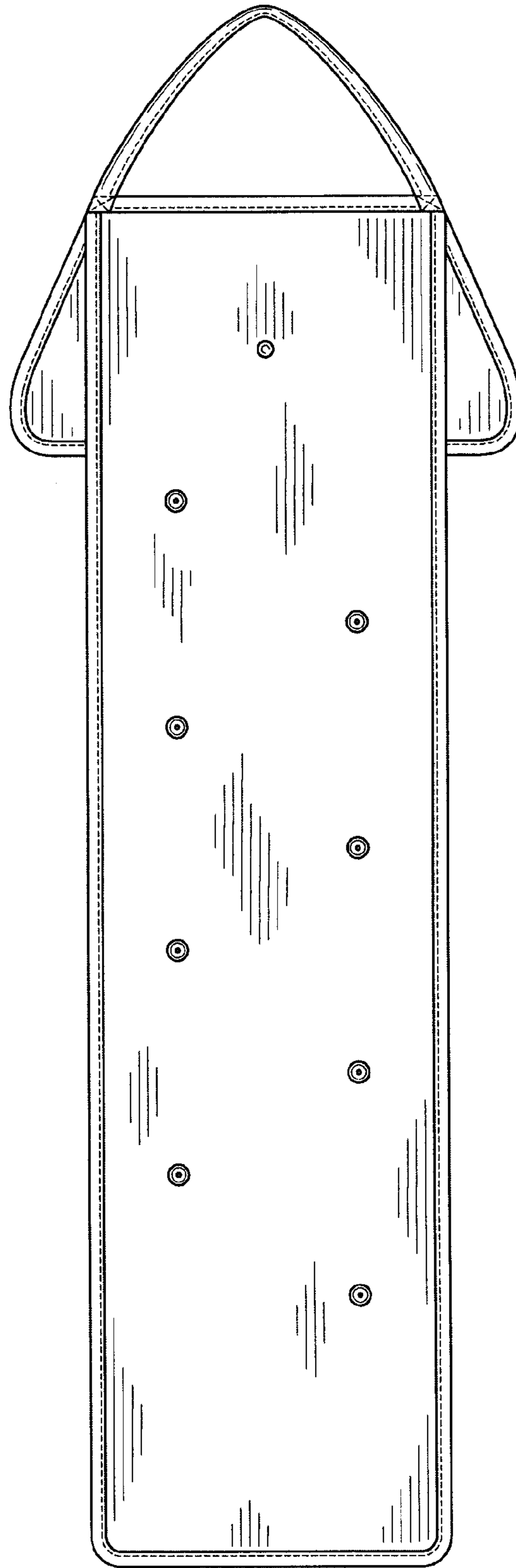


FIG. 5



FIG. 6



FIG. 7