



US00D978720S

(12) **United States Design Patent**
Zhong

(10) **Patent No.:** **US D978,720 S**

(45) **Date of Patent:** **** Feb. 21, 2023**

(54) **AERIAL VEHICLE**

(71) Applicant: **Yanjun Zhong**, Zhangzhou (CN)

(72) Inventor: **Yanjun Zhong**, Zhangzhou (CN)

(**) Term: **15 Years**

(21) Appl. No.: **29/759,977**

(22) Filed: **Nov. 26, 2020**

(51) **LOC (14) Cl.** **12-06**

(52) **U.S. Cl.**

USPC **D12/16.1**; D21/430; D21/436

(58) **Field of Classification Search**

USPC D12/16.1, 1, 2, 3, 4, 319, 326; D21/430,
D21/436, 442, 446, 450

CPC B64C 29/0033

See application file for complete search history.

(56) **References Cited**

U.S. PATENT DOCUMENTS

D882,460	S	*	4/2020	Chen	D12/16.1
D883,140	S	*	5/2020	Chen	D12/345
D906,881	S	*	1/2021	Chen	D21/441
D908,588	S	*	1/2021	Zhao	D12/328
D918,087	S	*	5/2021	He	D12/319
D968,262	S	*	11/2022	Li	D12/16.1
D970,392	S	*	11/2022	Wang	D12/16.1

OTHER PUBLICATIONS

“Holy Stone GPS Drone for Adults with Rock Steady Camera 4K Photo 2-axis Gimbal,HS360 FPV Quadcopter for Beginners, Brushless” amazon.com, post Published:Unavailable. Retrieved Nov. 28, 2022. Available online at URL:https://www.amazon.com/Holy-Stone-Quadcopter-Beginners-Brushless/dp/B09C5XHZWS (Year: 2022).*

“Super Endurance Foldable Quadcopter Drone for Beginners—40+ mins Flight Time,Wi-Fi FPV Drone with 120°Wide-Angle 1080P HD” amazon.com, post Published:Unavailable. Retrieved Nov. 28, 2022. Available online at URL: https://www.amazon.com/Super-Endurance-Foldable-Quadcopter-Beginners/dp/B0966GB(Year: 2022).*

* cited by examiner

Primary Examiner — Christian P. McLean

Assistant Examiner — Jessica Lynn Devilbiss

(57) **CLAIM**

The ornamental design for an aerial vehicle, as shown and described.

DESCRIPTION

FIG. 1 is a perspective view of an aerial vehicle showing my new design;

FIG. 2 is another perspective view thereof;

FIG. 3 is a front elevational view thereof;

FIG. 4 is a rear elevational view thereof;

FIG. 5 is a left side elevational view thereof;

FIG. 6 is a right side elevational view thereof;

FIG. 7 is a top plan view thereof;

FIG. 8 is a bottom plan view thereof;

FIG. 9 is an enlarged view of portion 9 shown in FIG. 1;

FIG. 10 is an enlarged view of portion 10 shown in FIG. 1;

FIG. 11 is an enlarged view of portion 11 shown in FIG. 5;

FIG. 12 is an enlarged view of portion 12 shown in FIG. 5;

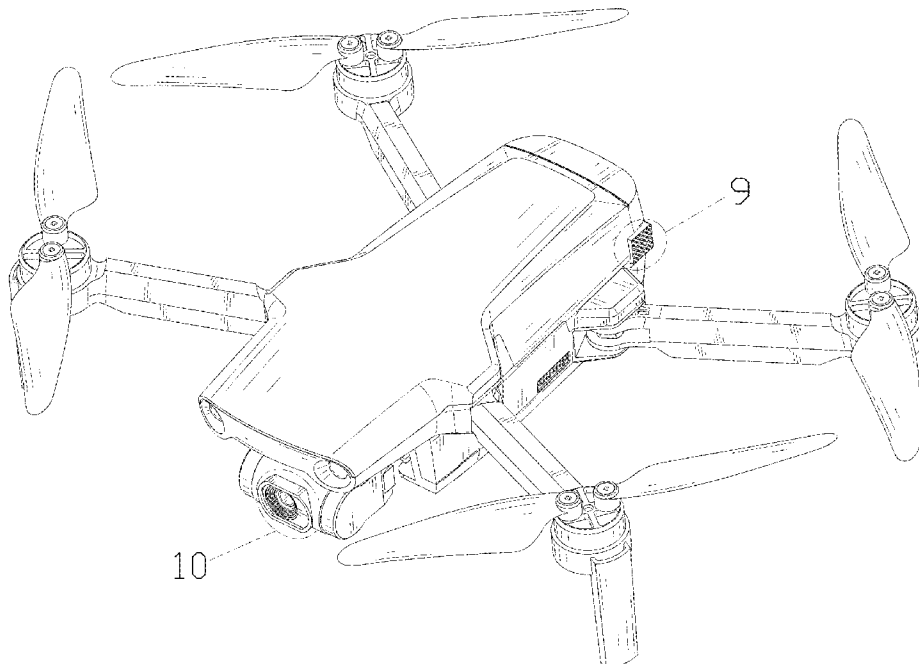
FIG. 13 is an enlarged view of portion 13 shown in FIG. 6;

and,

FIG. 14 is an enlarged view of portion 14 shown in FIG. 6.

The broken lines in the drawings depict portions of the aerial vehicle that form no part of the claimed design.

1 Claim, 14 Drawing Sheets



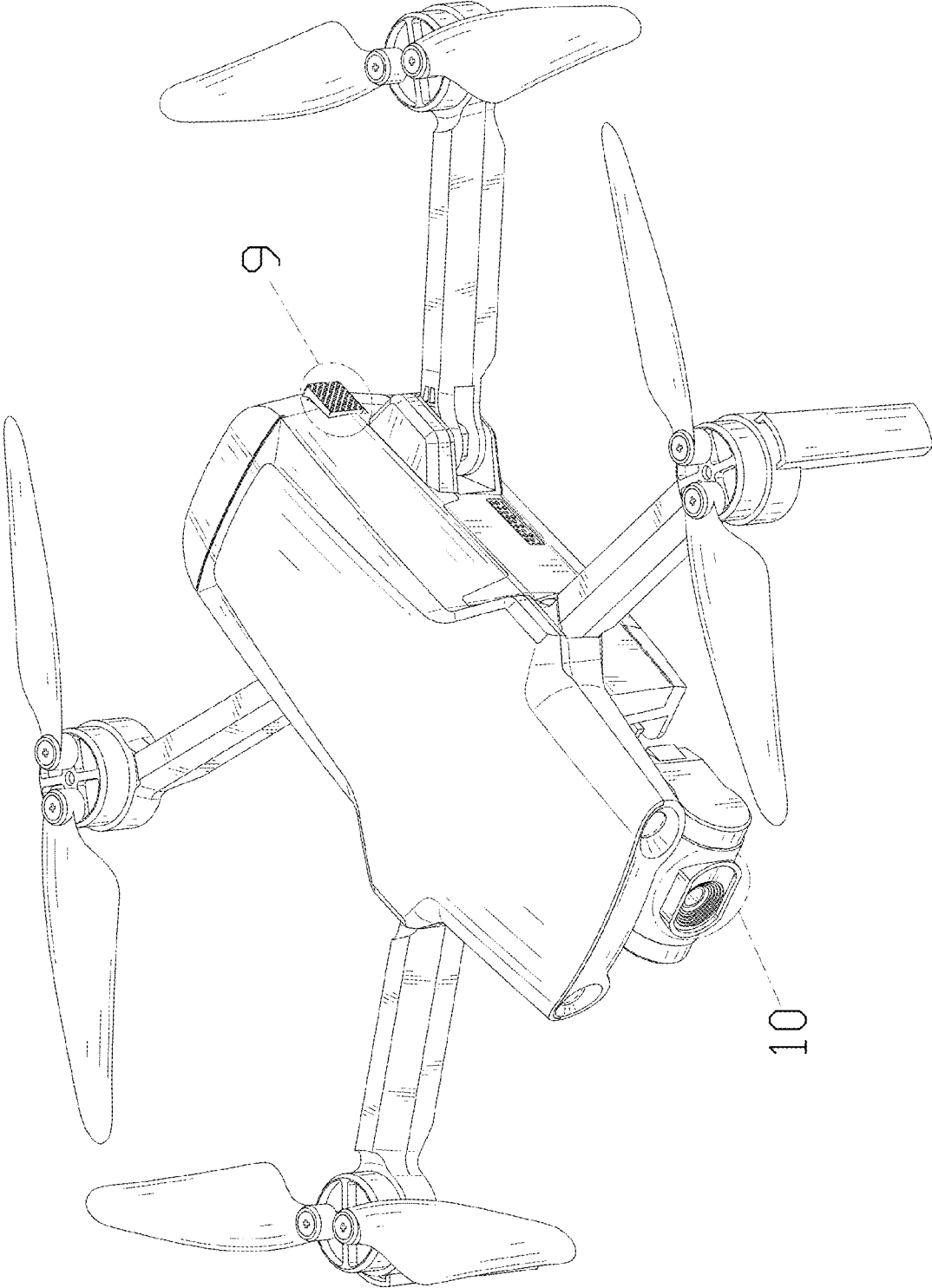


FIG. 1

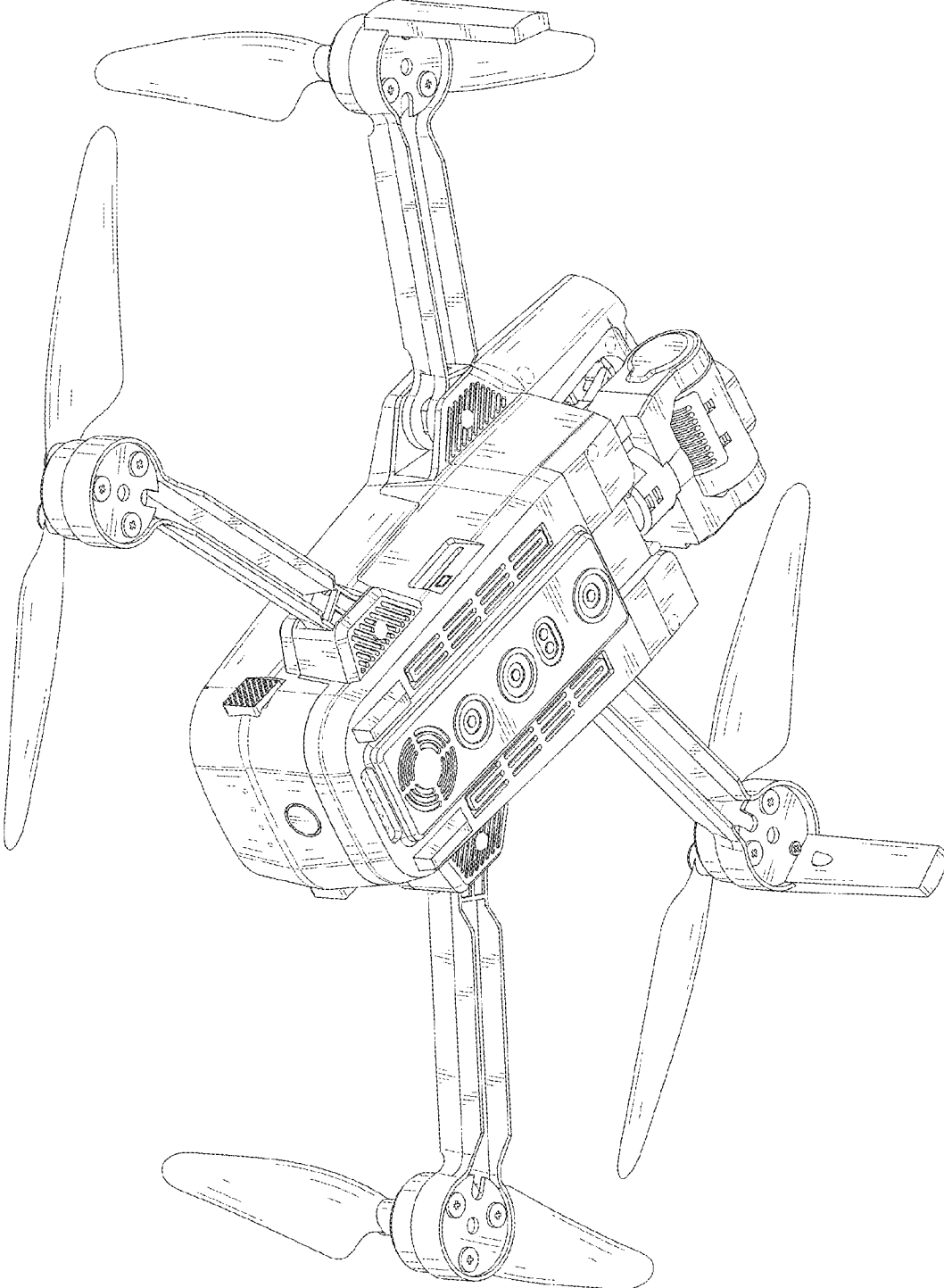


FIG. 2

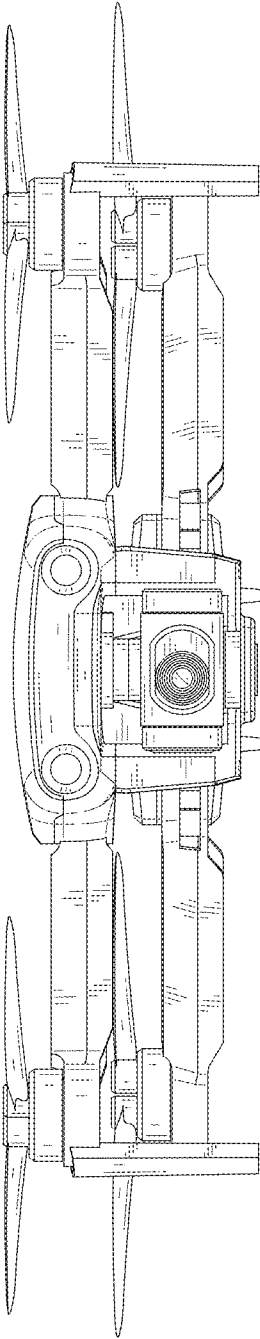


FIG. 3

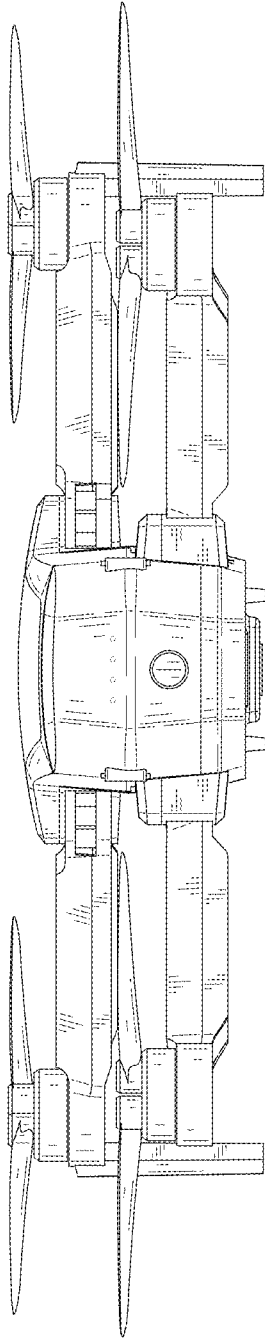


FIG. 4

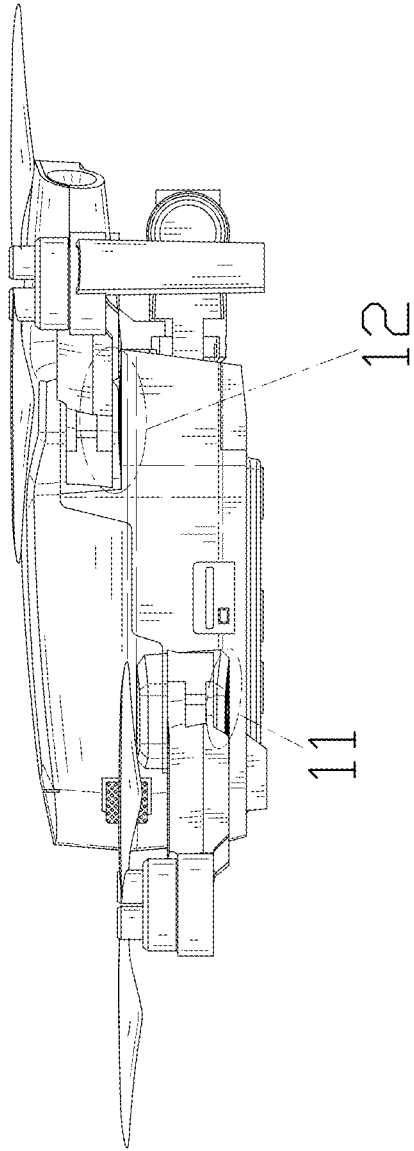


FIG. 5

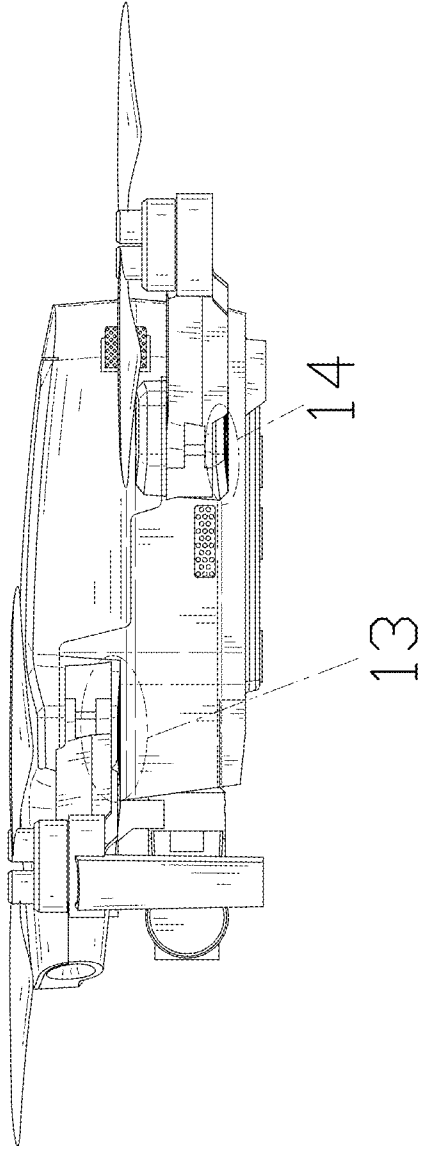


FIG. 6

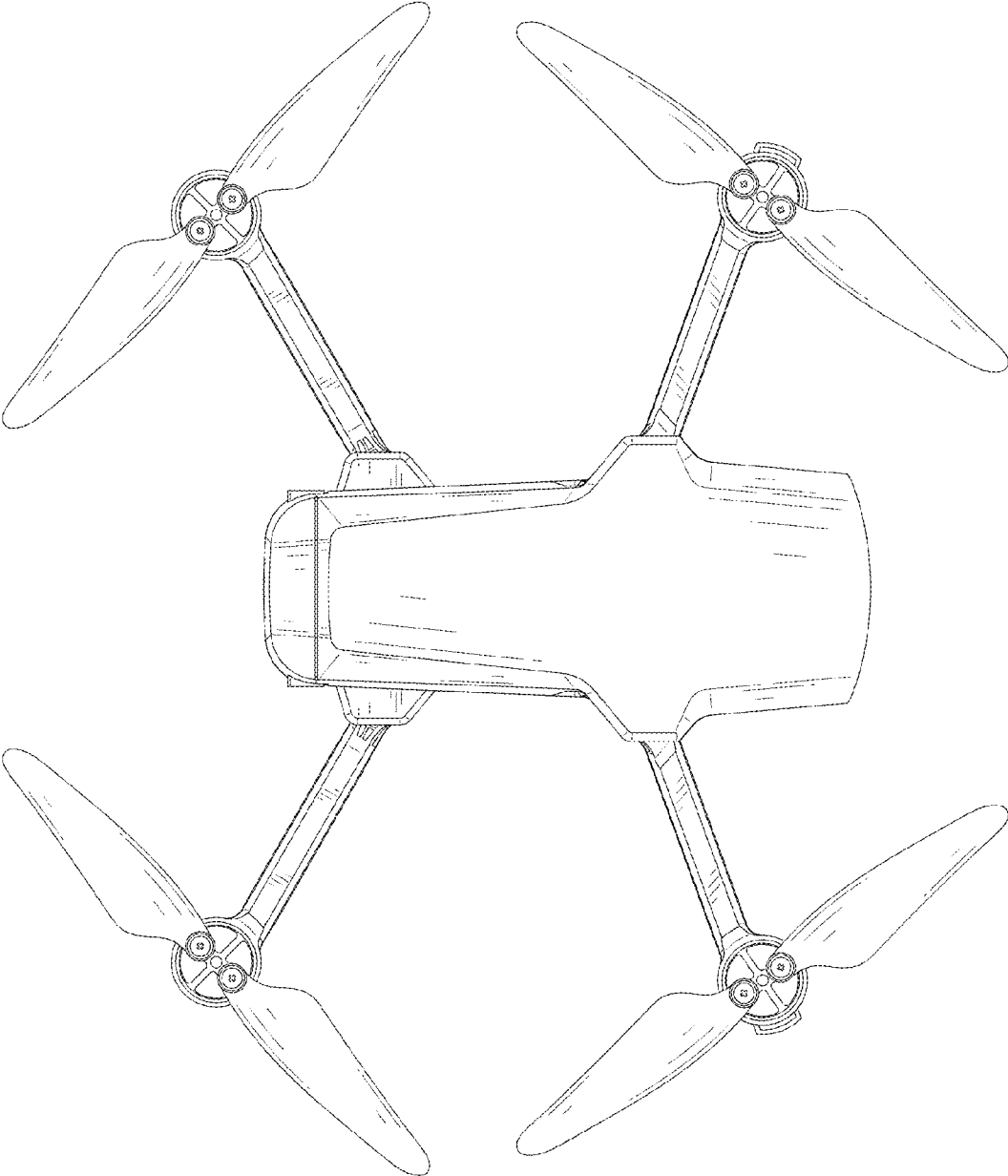


FIG. 7

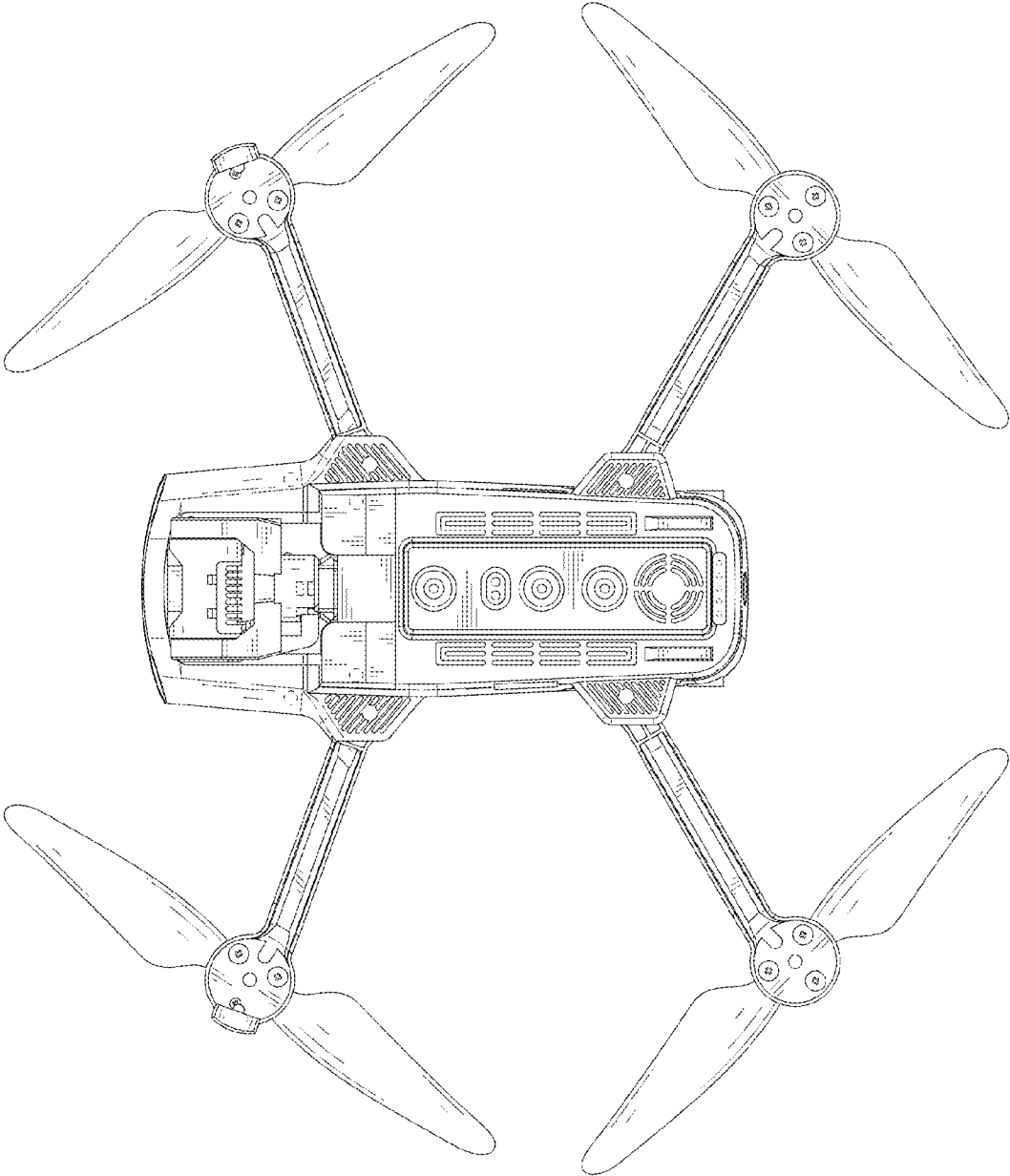


FIG. 8

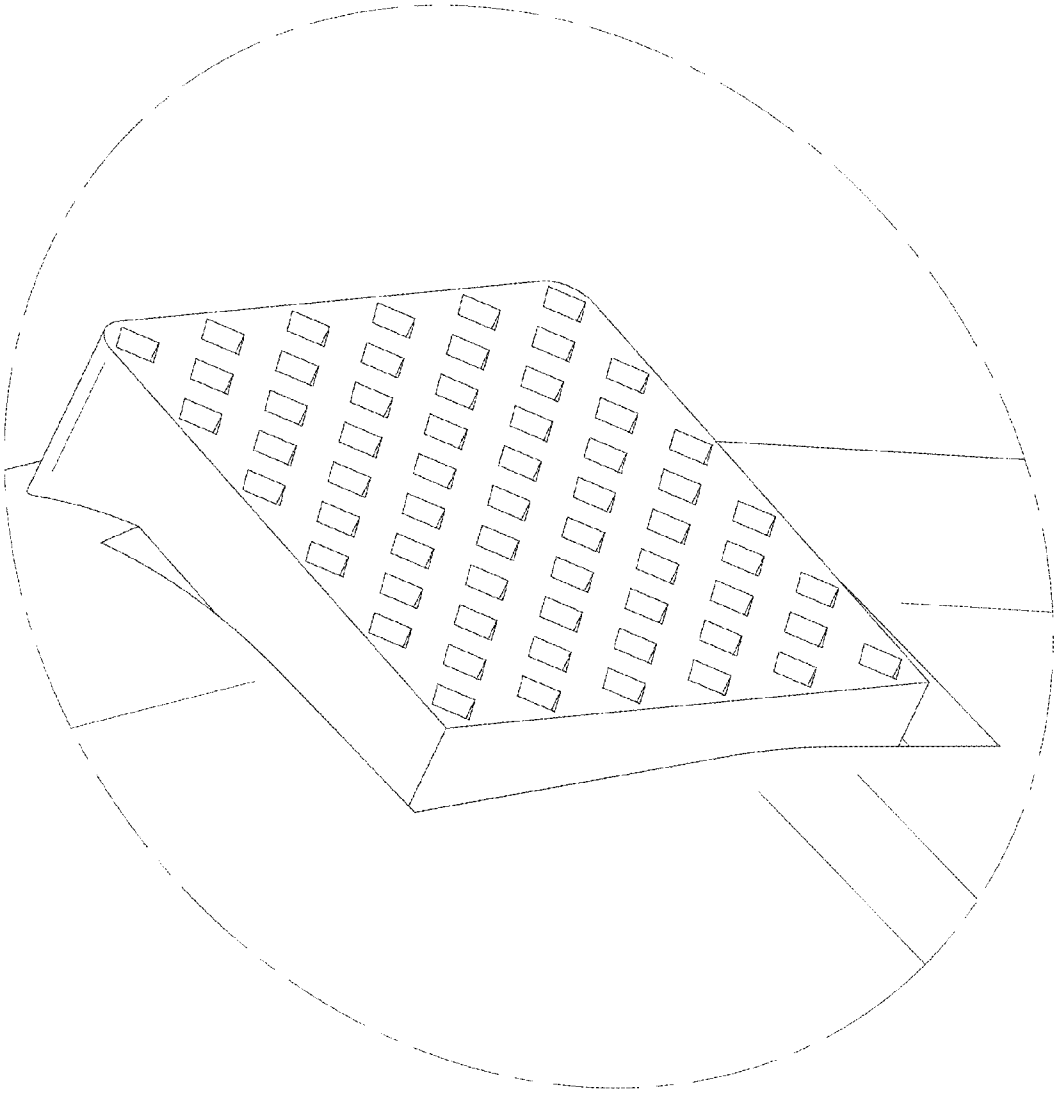


FIG. 9

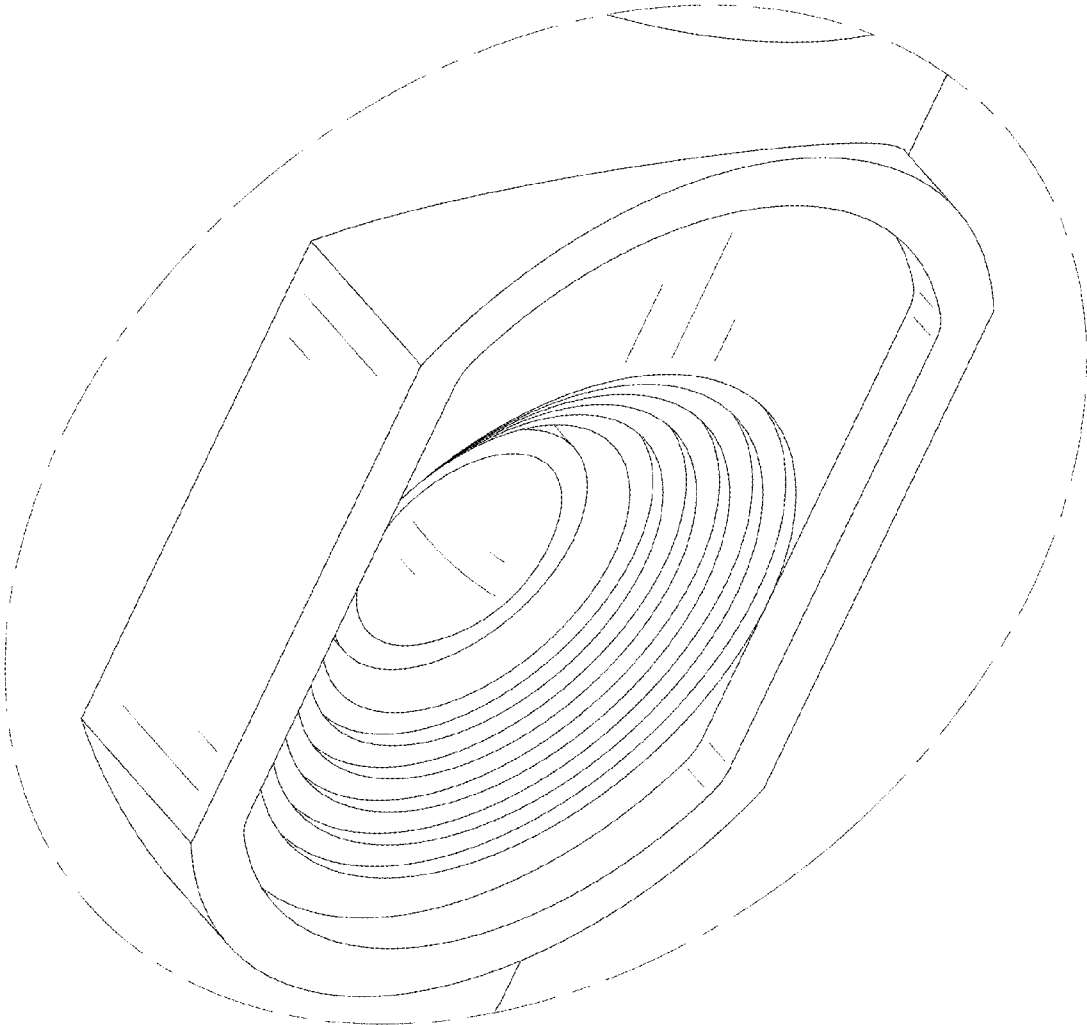


FIG. 10

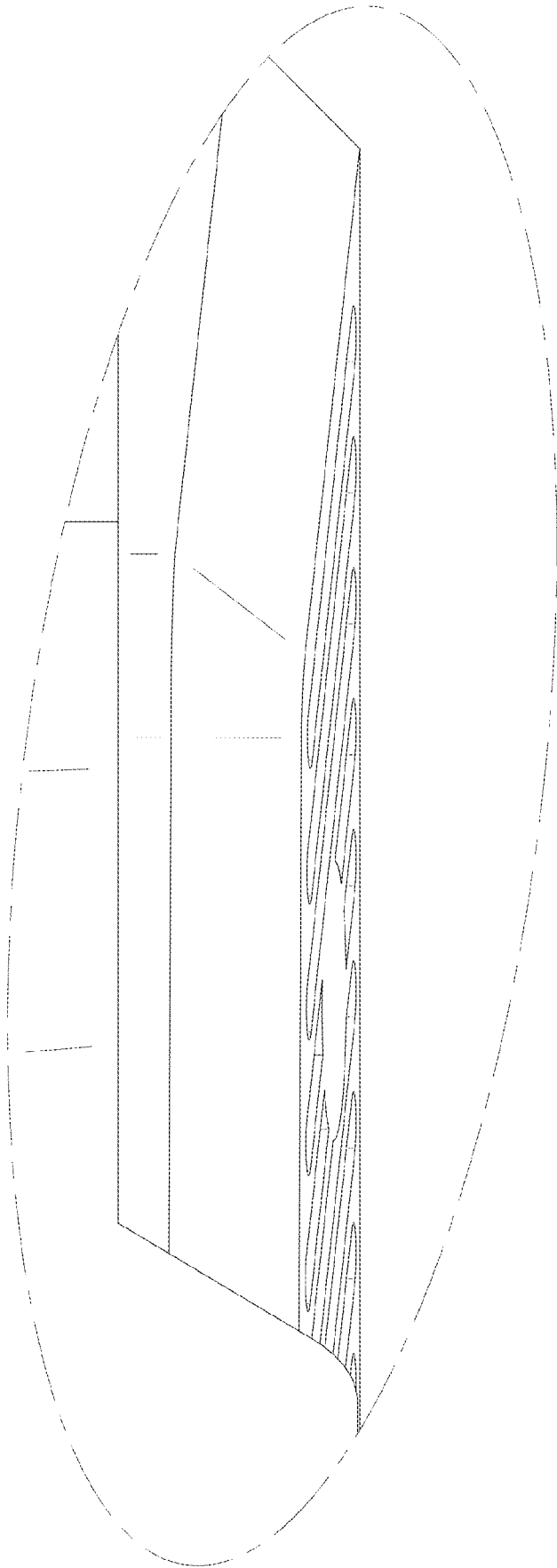


FIG. 11

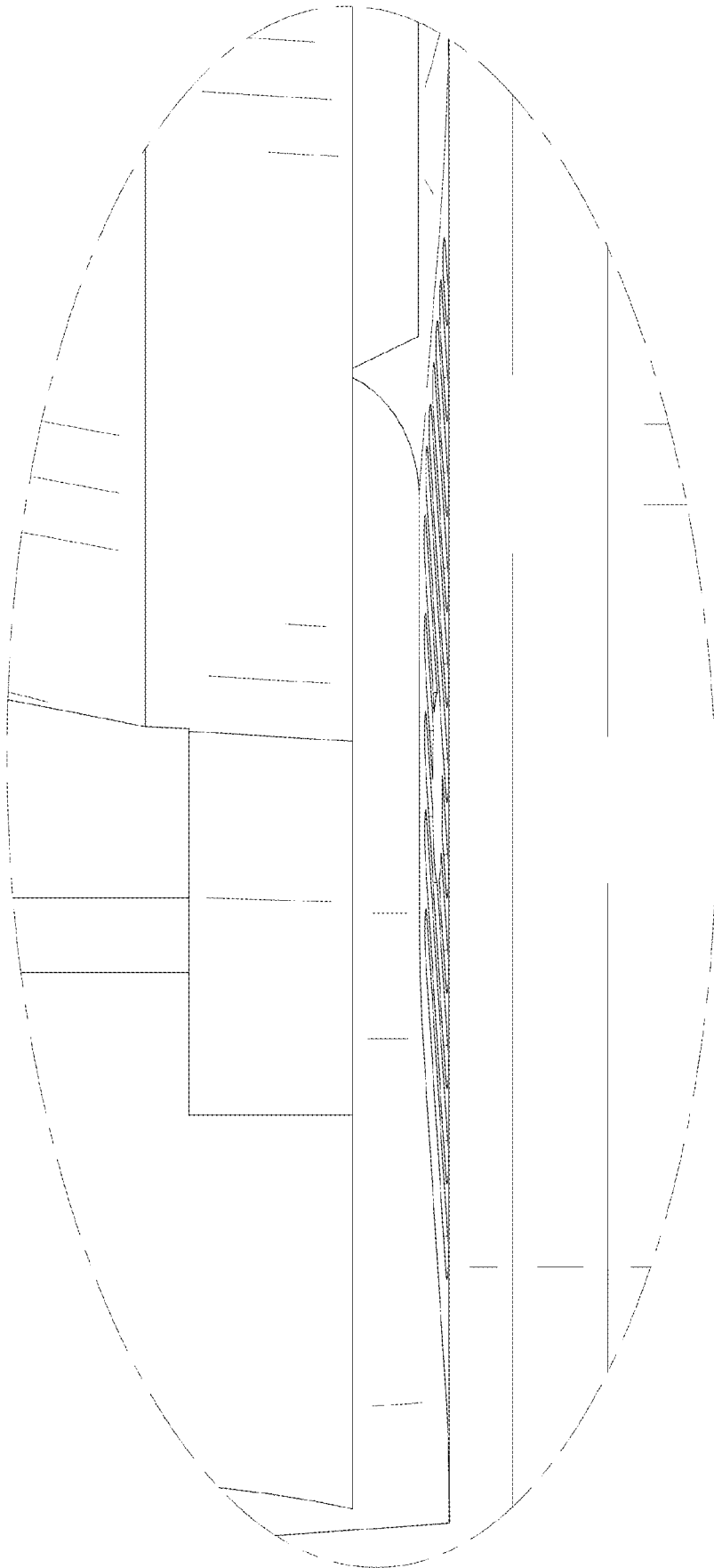


FIG. 12

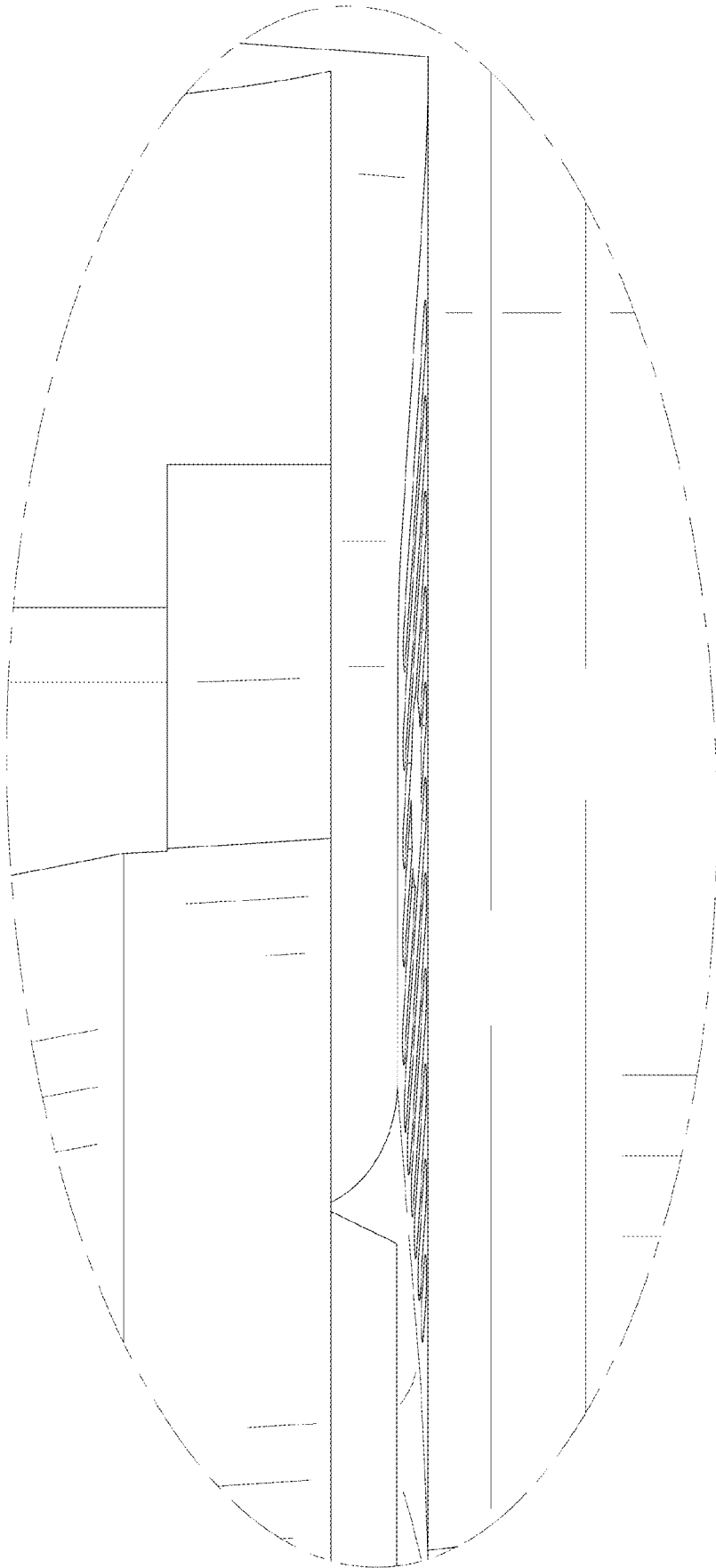


FIG. 13

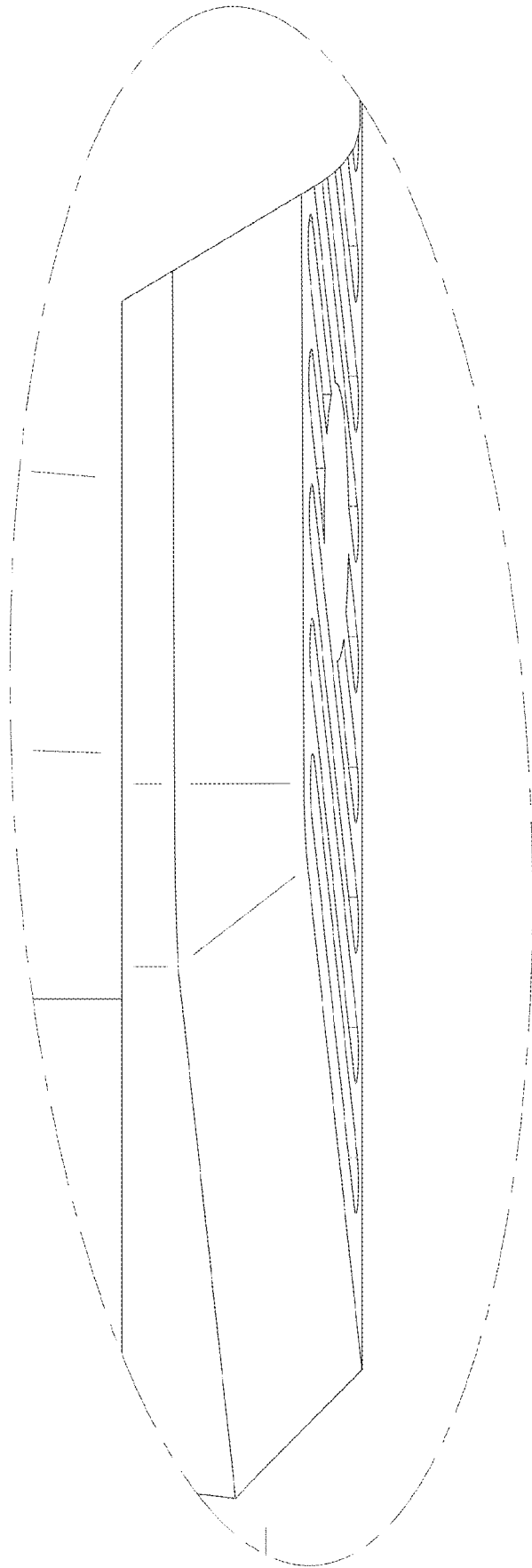


FIG. 14