

(19) World Intellectual Property Organization  
International Bureau



(43) International Publication Date  
5 June 2008 (05.06.2008)

PCT

(10) International Publication Number  
**WO 2008/067529 A3**

- (51) **International Patent Classification:**  
*B65D 43/26* (2006.01)
- (21) **International Application Number:**  
PCT/US2007/086061
- (22) **International Filing Date:**  
30 November 2007 (30.11.2007)
- (25) **Filing Language:** English
- (26) **Publication Language:** English
- (30) **Priority Data:**  
11/565,114 30 November 2006 (30.11.2006) US
- (71) **Applicant (for all designated States except US):** **ROCK-LINE INDUSTRIES, INC.** [US/US]; 1113 Maryland Avenue, Sheboygan, WI 53081 (US).

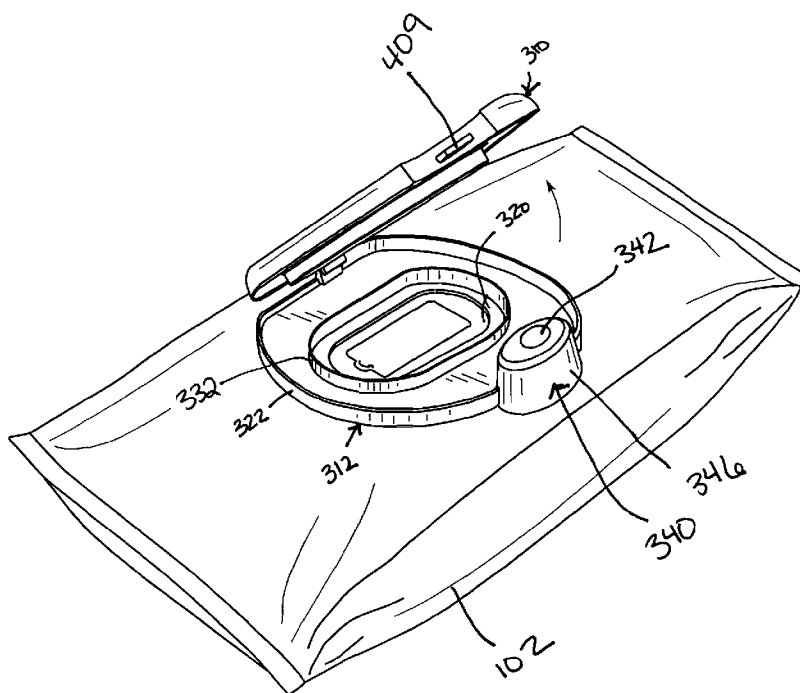
- (74) **Agents:** **DEKRUIF, Rodney, D.** et al; Reinhart Boerner VanDeuren S.C., Attn: Linda Kasulke, Docket Clerk, 1000 North Water Street, Milwaukee, WI 53202 (US).
- (81) **Designated States (unless otherwise indicated, for every kind of national protection available):** AE, AG, AL, AM, AT, AU, AZ, BA, BB, BG, BH, BR, BW, BY, BZ, CA, CH, CN, CO, CR, CU, CZ, DE, DK, DM, DO, DZ, EC, EE, EG, ES, FI, GB, GD, GE, GH, GM, GT, HN, HR, HU, ID, IL, IN, IS, JP, KE, KG, KM, KN, KP, KR, KZ, LA, LC, LK, LR, LS, LT, LU, LY, MA, MD, ME, MG, MK, MN, MW, MX, MY, MZ, NA, NG, NI, NO, NZ, OM, PG, PH, PL, PT, RO, RS, RU, SC, SD, SE, SG, SK, SL, SM, SV, SY, TJ, TM, TN, TR, TT, TZ, UA, UG, US, UZ, VC, VN, ZA, ZM, ZW
- (84) **Designated States (unless otherwise indicated, for every kind of regional protection available):** ARIPO (BW, GH, GM, KE, LS, MW, MZ, NA, SD, SL, SZ, TZ, UG, ZM, ZW), Eurasian (AM, AZ, BY, KG, KZ, MD, RU, TJ, TM), European (AT, BE, BG, CH, CY, CZ, DE, DK, EE, ES, FI, FR, GB, GR, HU, IE, IS, IT, LT, LU, LV, MC, MT, NL, PL, PT, RO, SE, SI, SK, TR), OAPI (BF, BJ, CF, CG, CI, CM, GA, GN, GQ, GW, ML, MR, NE, SN, TD, TG).

- (72) **Inventors; and**
- (75) **Inventors/Applicants (for US only):** **KRAUTH, Marlene, N.** [US/US]; 8282 Mainsail Place, Rogers, AR 72756 (US). **PISCOPO, Peter** [US/US]; 6 Chaucer Lane, Medford, NJ 08055 (US). **SEAGER, Richard** [US/US]; 5 Thomas Street, Mystic, CT 06355 (US).

**Published:**  
— with international search report

[Continued on next page]

(54) **Title:** PUSH BUTTON DISPENSING LID



(57) **Abstract:** A sealing push-button lid for consumer wipes is disclosed. The lid may be used to seal a package of wipes for infant care, and may also be used for sealing and dispensing of one-at-a-time wipes for general cleaning purposes. The push button dispensing lid preferably has a top and a bottom of unitary construction joined together with an integral, springless hinge.

WO 2008/067529 A3



---

— *with information concerning one or more priority claims considered void* (88) **Date of publication of the international search report:**  
4 December 2008

## INTERNATIONAL SEARCH REPORT

International application No

PCT/US07/86061

<b>A CLASSIFICATION OF SUBJECT MATTER</b>		
IPC B65D 43/26( 2006 01)		
USPC 220/263,262,264,283,284,788,835		
According to International Patent Classification (IPC) or to both national classification and IPC		
<b>B FIELDS SEARCHED</b>		
Minimum documentation searched (classification system followed by classification symbols) U S 220/263, 262, 264, 283, 284, 788, 835		
Documentation searched other than minimum documentation to the extent that such documents are included in the fields searched		
Electronic data base consulted during the international search (name of data base and, where practicable, search terms used)		
<b>C DOCUMENTS CONSIDERED TO BE RELEVANT</b>		
Category *	Citation of document, with indication, where appropriate, of the relevant passages	Relevant to claim No
X	US 6,206,221 B1 (Bando et al ) 27 March 2001 (27 03 2001), see entire document	1-3, 5-8, 10 and 11
Y	US 2002/001 7522 A1 (Bando et al ) 14 February 2002 (14 02 2002), see entire document	4 and 18
X	US 6,729,498 B2 (Yelton et al ) 04 May 2004 (04 05 2004), see entire document	12-17, 19 and 20
<input type="checkbox"/> Further documents are listed in the continuation of Box C <input type="checkbox"/> See patent family annex		
* Special categories of cited documents		
A	document defining the general state of the art which is not considered to be of particular relevance	T
E	earlier application or patent published on or after the international filing date	X
L	document which may throw doubts on priority claim(s) or which is cited to establish the publication date of another citation or other special reason (as specified)	Y
O	document referring to an oral disclosure use exhibition or other means	
P	document published prior to the international filing date but later than the priority date claimed	&
		later document published after the international filing date or priority date and not in conflict with the application but cited to understand the principle or theory underlying the invention
		document of particular relevance the claimed invention cannot be considered novel or cannot be considered to involve an inventive step when the document is taken alone
		document of particular relevance, the claimed invention cannot be considered to involve an inventive step when the document is combined with one or more other such documents such combination being obvious to a person skilled in the art
		document member of the same patent family
Date of the actual completion of the international search 26 August 2008 (26 08 2008)		Date of mailing of the international search report <b>11 SEP 2008</b>
Name and mailing address of the ISA/US Mail Stop PCT, Altn ISA/US Commissioner for Patents P O Box 1450 Alexandria, Virginia 22313-1450 Facsimile No (571) 273-3201		Anthony S. Ashby <i>Anthony S. Ashby</i> Telephone No (571) 272-1400