



US00D875855S

(12) **United States Design Patent**
Sandoval

(10) **Patent No.:** **US D875,855 S**

(45) **Date of Patent:** **** Feb. 18, 2020**

(54) **EXERCISE CYCLE WEIGHT HOLDER**

(71) Applicant: **Custom Indoor Cycles, LLC**, Santa Ana, CA (US)

(72) Inventor: **Andrew Sandoval**, Santa Ana, CA (US)

(73) Assignee: **Custom Indoor Cycles, LLC**, Santa Ana, CA (US)

(**) Term: **15 Years**

(21) Appl. No.: **29/692,000**

(22) Filed: **May 21, 2019**

Related U.S. Application Data

(62) Division of application No. 29/666,952, filed on Oct. 17, 2018, now Pat. No. Des. 854,638, which is a division of application No. 29/626,357, filed on Nov. 16, 2017, now Pat. No. Des. 846,668.

(51) **LOC (12) Cl.** **21-02**

(52) **U.S. Cl.** **D21/691; D21/686**
USPC

(58) **Field of Classification Search**
USPC 211/71.01, 74, 85.31; 248/214; D3/201, D3/316, 318; D6/566; D7/400, 601, D7/602, 620, 622, 708.1; D12/114, 223, D12/406, 411; D21/686, 694, 691
CPC A63B 21/026; A63B 1/00; A63B 3/00; A63B 71/023

See application file for complete search history.

(56) **References Cited**

U.S. PATENT DOCUMENTS

D25,619 S * 6/1896 Hoermann D3/316
D33,380 S * 10/1900 Jamison D12/223
D255,130 S * 5/1980 Balzano D21/691
D262,678 S 1/1982 DeBoer
D264,954 S 6/1982 Blackburn

D283,185 S * 4/1986 Frazier D6/513
D285,186 S * 8/1986 Sinyard D12/411
D306,952 S * 4/1990 Goeman D7/619.1
D307,851 S * 5/1990 Polidoros D7/601
5,190,257 A 3/1993 Gradei et al.
5,392,971 A 2/1995 Hsu
D360,868 S * 8/1995 Kalat D12/411
D361,924 S 9/1995 Becker
D430,441 S * 9/2000 Rosenberg D6/566
6,231,487 B1 * 5/2001 Diamond, Jr. A63B 21/026
482/121
D470,726 S * 2/2003 Kautzky D7/620

(Continued)

OTHER PUBLICATIONS

Customindoorcycles, "Schwinn AC Performance Plus Compatible Rear Mount Hand Weight Holder", Oct. 3, 2018, <https://www.customindoorcycles.com/product/weight-racks/>. Shown on p. 1. (Year: 2018).

(Continued)

Primary Examiner — Cynthia Ramirez
Assistant Examiner — Michael A Maharajh
(74) *Attorney, Agent, or Firm* — Stetina Brunda Garred and Brucker

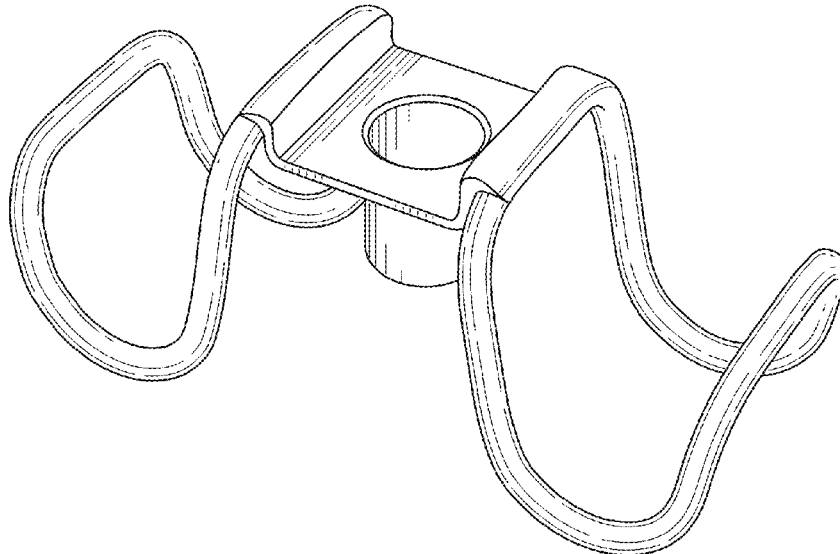
(57) **CLAIM**

The ornamental design for an exercise cycle weight holder, as shown and described.

DESCRIPTION

FIG. 1 is a front perspective view of the exercise cycle weight holder, showing my new design;
FIG. 2 is a top plan view thereof;
FIG. 3 is a front elevational view thereof;
FIG. 4 is a bottom plan view thereof;
FIG. 5 is a rear elevational view thereof;
FIG. 6 is a left side elevational view thereof; and,
FIG. 7 is a right side elevational view thereof.

1 Claim, 3 Drawing Sheets



(56)

References Cited

U.S. PATENT DOCUMENTS

6,561,473 B1 * 5/2003 Ianello E04G 7/14
 248/214
 D492,161 S 6/2004 Kaller et al.
 D505,328 S 5/2005 Chou
 D529,859 S 10/2006 Irvine
 D530,261 S * 10/2006 Irvine D12/411
 D532,259 S 11/2006 Goodman et al.
 D539,102 S * 3/2007 Goodman D7/601
 D546,129 S 7/2007 Sergianni
 D554,927 S * 11/2007 Smith D6/566
 D566,445 S * 4/2008 Rosen D6/566
 D592,469 S * 5/2009 Goodman D7/704
 D593,859 S 6/2009 Barnum
 D604,224 S 11/2009 Carpenter
 D605,578 S 12/2009 Retief
 D607,115 S 12/2009 Bellamy-Noseworthy et al.
 D628,835 S * 12/2010 Valentine, Jr. D6/566
 D630,902 S * 1/2011 Chen D6/566
 D632,908 S * 2/2011 Tincher D6/513
 7,886,917 B1 2/2011 Berger
 D640,624 S 6/2011 Valiquette
 D655,986 S 3/2012 Schneider
 D659,302 S 5/2012 Rose
 8,430,366 B2 4/2013 Tincher

D684,104 S 6/2013 Goldman
 D695,973 S * 12/2013 Carrs D30/133
 D748,334 S * 1/2016 Goodman D6/566
 D750,446 S * 3/2016 Tincher D7/620
 D751,867 S 3/2016 Krumwiede et al.
 D769,672 S 10/2016 Gallagher
 D775,058 S 12/2016 Overman et al.
 D775,890 S 1/2017 Gallagher
 D778,635 S 2/2017 Pan et al.
 D817,027 S 5/2018 Manfre
 D842,948 S * 3/2019 Sandoval D21/694
 D846,668 S * 4/2019 Sandoval D21/697
 D848,556 S * 5/2019 Bolillo D21/691
 D854,638 S * 7/2019 Sandoval D21/697
 2013/0026316 A1 * 1/2013 Case B62J 11/00
 248/214
 2014/0339182 A1 * 11/2014 Koder A47B 73/00
 211/75

OTHER PUBLICATIONS

Customindoorcycles, "Stage Indoor Cycle Dual Water Bottle Holder",
 Dec. 24, 2018. <https://www.customindoorcycles.com/product/weight-racks/>. Shown on p. 1. (Year: 2018).

* cited by examiner

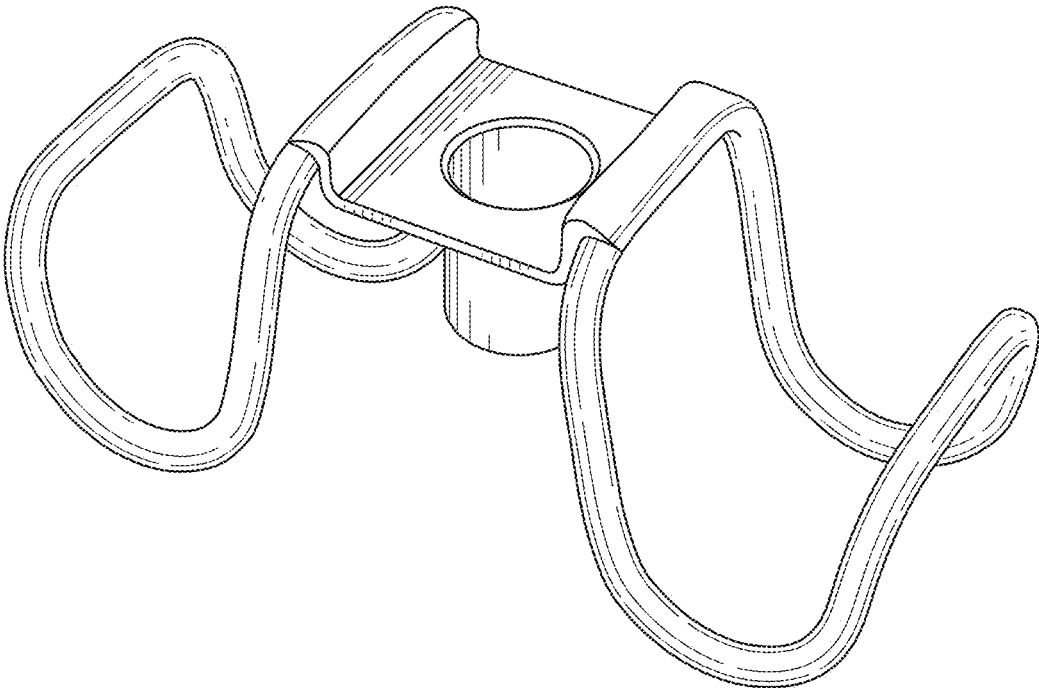


FIG. 1

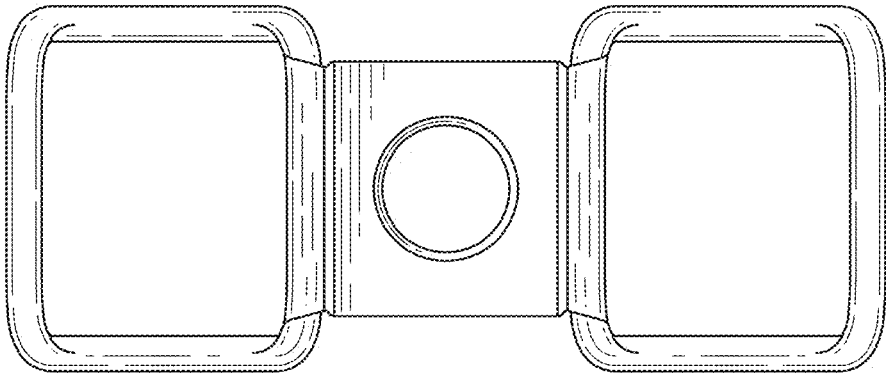


FIG. 2

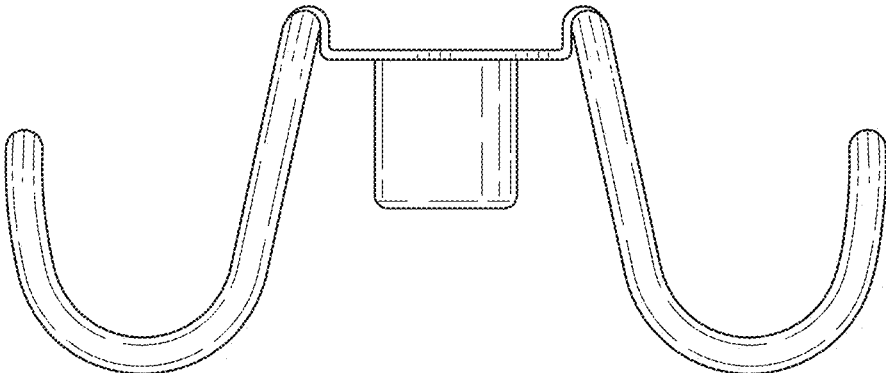


FIG. 3

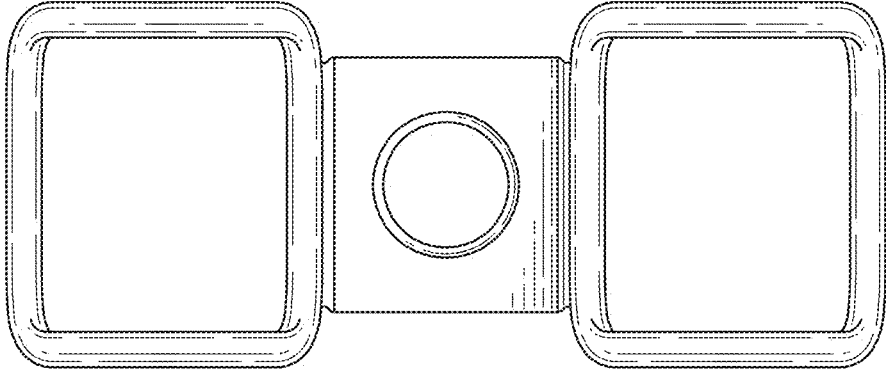


FIG. 4

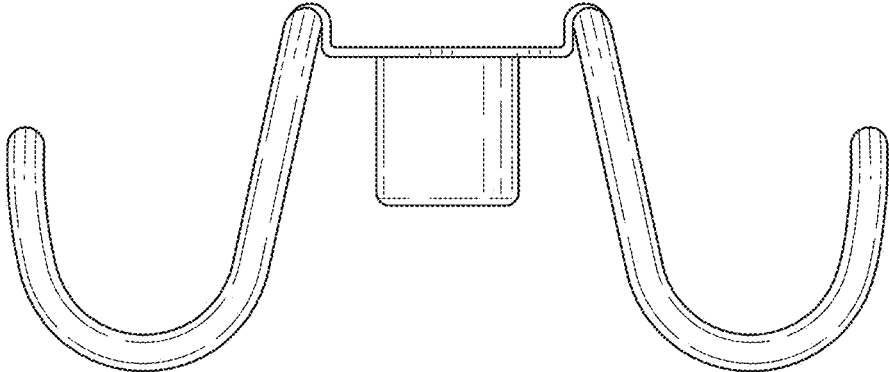


FIG. 5

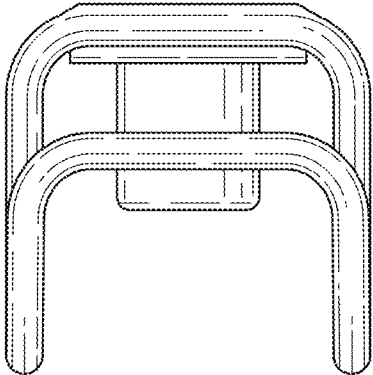


FIG. 6

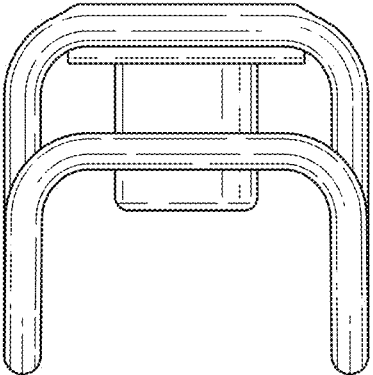


FIG. 7