

(19) World Intellectual Property  
Organization  
International Bureau



(43) International Publication Date  
26 August 2004 (26.08.2004)

PCT

(10) International Publication Number  
WO 2004/071334 A3

- (51) International Patent Classification<sup>7</sup>: A61M 29/00
- (21) International Application Number:  
PCT/US2004/001664
- (22) International Filing Date: 22 January 2004 (22.01.2004)
- (25) Filing Language: English
- (26) Publication Language: English
- (30) Priority Data:  
10/361,887 10 February 2003 (10.02.2003) US
- (71) Applicant (for all designated States except US): **ENDIUS INCORPORATED** [US/US]; 23 West Bacon Street, Plainville, MA 02762 (US).
- (72) Inventors: **DIPOTO, Gene, P.**; 23 Crockett Road, Upton, MA 01568 (US). **SILVER, William**; 9 Draper Road, Millbury, MA 01527 (US). **UNGER, John, D.**; 20 Farm Hill Road, Wrentham, MA 02093 (US).
- (74) Agent: **TAROLLI, James, L.**; Tarolli, Sundheim, Covell & Tummino L.L.P., 526 Superior Avenue, Suite 1111, Cleveland, OH 44114 (US).
- (81) Designated States (unless otherwise indicated, for every kind of national protection available): AE, AG, AL, AM, AT, AU, AZ, BA, BB, BG, BR, BW, BY, BZ, CA, CH, CN, CO, CR, CU, CZ, DE, DK, DM, DZ, EC, EE, EG, ES, FI, GB, GD, GE, GH, GM, HR, HU, ID, IL, IN, IS, JP, KE, KG, KP, KR, KZ, LC, LK, LR, LS, LT, LU, LV, MA, MD, MG, MK, MN, MW, MX, MZ, NA, NI, NO, NZ, OM, PG, PH, PL, PT, RO, RU, SC, SD, SE, SG, SK, SL, SY, TJ, TM, TN, TR, TT, TZ, UA, UG, US, UZ, VC, VN, YU, ZA, ZM, ZW.
- (84) Designated States (unless otherwise indicated, for every kind of regional protection available): ARIPO (BW, GH, GM, KE, LS, MW, MZ, SD, SL, SZ, TZ, UG, ZM, ZW), Eurasian (AM, AZ, BY, KG, KZ, MD, RU, TJ, TM), European (AT, BE, BG, CH, CY, CZ, DE, DK, EE, ES, FI, FR, GB, GR, HU, IE, IT, LU, MC, NL, PT, RO, SE, SI, SK, TR), OAPI (BF, BJ, CF, CG, CI, CM, GA, GN, GQ, GW, ML, MR, NE, SN, TD, TG).

**Published:**

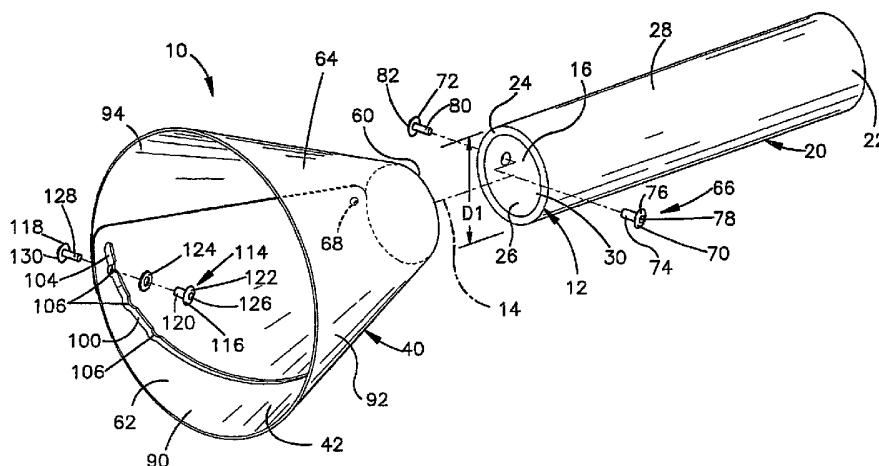
— with international search report

(88) Date of publication of the international search report:

14 July 2005

[Continued on next page]

(54) Title: STRUCTURE FOR RECEIVING SURGICAL INSTRUMENTS



(57) Abstract: A structure for receiving surgical instruments for performing a surgical procedure on a body includes a passage (16) through which the surgical instruments are inserted into the body. The passage (16) has a proximal end and a distal end. An expandable portion (40) enables an increase in the cross-sectional area of the distal end of the passage (16). The expandable portion (40) has a contracted condition in which the cross-sectional area of the distal end of the passage has a first cross-sectional area. The expandable portion (16) has an expanded condition in which the distal end of the passage has a second cross-sectional area greater than the first cross-sectional area. The second cross-sectional area is greater than a cross-sectional area of the proximal end of the passage when the expandable portion is in the expanded condition. A retaining mechanism (106) resists movement of the expandable portion (40) from the expanded condition toward the contracted condition during the surgical procedure. The retaining mechanism (106) is released at the conclusion of the surgical procedure to permit movement of the expandable portion from the expanded condition toward the contracted condition for removal of the structure.

WO 2004/071334 A3



---

*For two-letter codes and other abbreviations, refer to the "Guidance Notes on Codes and Abbreviations" appearing at the beginning of each regular issue of the PCT Gazette.*

# INTERNATIONAL SEARCH REPORT

International application No.  
PCT/US04/01664

**A. CLASSIFICATION OF SUBJECT MATTER**  
 IPC(7) : A61M 29/00  
 US CL : 606/1, 184-185, 191-198; 604/49, 104-105, 164-169, 264.  
 According to International Patent Classification (IPC) or to both national classification and IPC

**B. FIELDS SEARCHED**  
 Minimum documentation searched (classification system followed by classification symbols)  
 U.S. : 606/1, 184-185, 191-198; 604/49, 104-105, 164-169, 264.

Documentation searched other than minimum documentation to the extent that such documents are included in the fields searched

Electronic data base consulted during the international search (name of data base and, where practicable, search terms used)  
 EAST database

**C. DOCUMENTS CONSIDERED TO BE RELEVANT**

Category *	Citation of document, with indication, where appropriate, of the relevant passages	Relevant to claim No.
X --- Y	US 6,187,000 B1 ( DAVISON et al.) 13 February 2001 (13.02.2001), See the entire document.	1-7, 9, 14, 17, 28-29, 31-32, 37, 40, 50-53, 58, 61-63. ----- 8, 10-13, 15-16, 18-27, 30, 33-36, 38-39, 41-49, 54-57, 59-60, 64.

Further documents are listed in the continuation of Box C.       See patent family annex.

* Special categories of cited documents:	"T" later document published after the international filing date or priority date and not in conflict with the application but cited to understand the principle or theory underlying the invention
"A" document defining the general state of the art which is not considered to be of particular relevance	"X" document of particular relevance; the claimed invention cannot be considered novel or cannot be considered to involve an inventive step when the document is taken alone
"E" earlier application or patent published on or after the international filing date	"Y" document of particular relevance; the claimed invention cannot be considered to involve an inventive step when the document is combined with one or more other such documents, such combination being obvious to a person skilled in the art
"L" document which may throw doubts on priority claim(s) or which is cited to establish the publication date of another citation or other special reason (as specified)	"&" document member of the same patent family
"O" document referring to an oral disclosure, use, exhibition or other means	
"P" document published prior to the international filing date but later than the priority date claimed	

Date of the actual completion of the international search 29 November 2004 (29.11.2004)	Date of mailing of the international search report <b>20 DEC 2004</b>
--	--

Name and mailing address of the ISA/US Mail Stop PCT, Attn: ISA/US Commissioner for Patents P.O. Box 1450 Alexandria, Virginia 22313-1450 Facsimile No. (703) 305-3230	Authorized officer <i>Sheila H. Vensy</i> Vy Q. Bui Paralegal Specialist Telephone No. 703-308-0858 Tech. Center 3700
---	--