



US0D1028530S

(12) **United States Design Patent**
Zheng

(10) **Patent No.:** **US D1,028,530 S**

(45) **Date of Patent:** **** May 28, 2024**

(54) **ELECTRIC CLEANING BRUSH**

FOREIGN PATENT DOCUMENTS

(71) Applicant: **Xu Zheng**, Rui'an (CN)

EM 015014543-0001 * 3/2023

(72) Inventor: **Xu Zheng**, Rui'an (CN)

OTHER PUBLICATIONS

(**) Term: **15 Years**

Dankari Electric Spin Scrubber, posted Oct. 19, 2023 [online], [retrieved Jan. 2, 2024]. Retrieved from internet, <https://www.amazon.com/dp/B0CLD1QKBB/?th=1> (Year: 2023).*

(21) Appl. No.: **29/906,486**

(22) Filed: **Nov. 6, 2023**

Primary Examiner — Alison M Ofstun

(51) **LOC (14) Cl.** **04-03**

Assistant Examiner — Evin F Ershock

(52) **U.S. Cl.**

(74) *Attorney, Agent, or Firm* — Birchwood IP

USPC **D32/19; D4/102**

(58) **Field of Classification Search**

(57) **CLAIM**

USPC D4/100, 102, 114, 115, 127, 128, 130, D4/132, 133, 134, 138, 199; D32/4, 15, D32/19, 25, 32, 33, 34; D28/63
CPC A46B 1/00; A46B 3/00; A46B 5/00; A46B 5/0095; A46B 5/02; A46B 5/021; A46B 5/023; A46B 5/025; A46B 5/026; A46B 7/00; A46B 7/04; A46B 7/042; A46B 7/044; A46B 7/046; A46B 7/048; A46B 9/00; A46B 9/02; A46B 11/00; A46B 11/06; A46B 11/063; A46B 11/066; A46B 13/00; A46B 13/008; A46B 13/02; A46B 13/04; A46B 13/06; A46B 15/00; A46B 15/0004; A46B 2200/00; A46B 2200/30; A46B 2200/3033; A47L 13/10; A47L 13/20; A47L 13/23

The ornamental design for a electric cleaning brush, as shown and described.

See application file for complete search history.

DESCRIPTION

FIG. 1 is a front, left and top perspective view of a electric cleaning brush, showing my new design; FIG. 2 is a rear, right and bottom perspective view thereof; FIG. 3 is a front view thereof; FIG. 4 is a rear view thereof; FIG. 5 is a left side view thereof; FIG. 6 is a right side view thereof; FIG. 7 is an enlarged top plan view thereof; FIG. 8 is an enlarged bottom plan view thereof; FIG. 9 is an enlarged view of "9" shown in FIG. 1; FIG. 10 is an enlarged view of "10" shown in FIG. 2; FIG. 11 is an enlarged view of "11" shown in FIG. 2; FIG. 12 is an enlarged view of "12" shown in FIG. 2; and, FIG. 13 is an enlarged view of "13" shown in FIG. 2.

The broken lines shown in the drawings illustrate portions of the electric cleaning brush that form no part of the claimed design.

The dot-dash broken lines depict the boundaries of the enlargements that form no part of the claimed design.

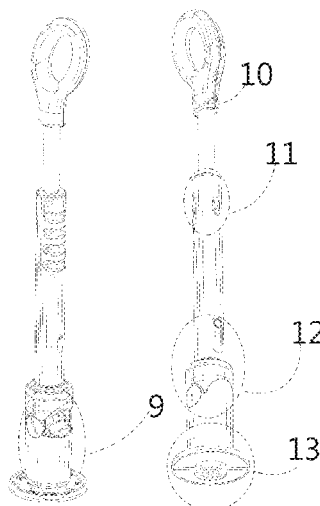
(56) **References Cited**

U.S. PATENT DOCUMENTS

1,578,013 A * 3/1926 Case A47L 11/38 15/29
D451,288 S * 12/2001 Bean D4/127
D543,362 S * 5/2007 Hall D4/127
D627,565 S 11/2010 Tyce
D800,251 S * 10/2017 Feuerstein D23/223
D825,190 S * 8/2018 Hu D4/102
D927,195 S * 8/2021 Wei D4/132

(Continued)

1 Claim, 13 Drawing Sheets



(56)

References Cited

U.S. PATENT DOCUMENTS

D932,778	S *	10/2021	Jing	D4/102
D945,722	S *	3/2022	Tinius	D32/19
D966,714	S *	10/2022	Jin	D4/100
D971,612	S *	12/2022	Mei	D4/127
D974,044	S *	1/2023	Wang	D32/35
D975,449	S *	1/2023	Zhu	D32/35
D990,890	S *	7/2023	Jin	D4/102
D1,004,871	S *	11/2023	Hu	D32/19
D1,007,083	S *	12/2023	Qin	D32/19
2021/0274924	A1 *	9/2021	Zhang	A47K 17/00
2023/0058414	A1 *	2/2023	Zieger	A46B 9/005

* cited by examiner

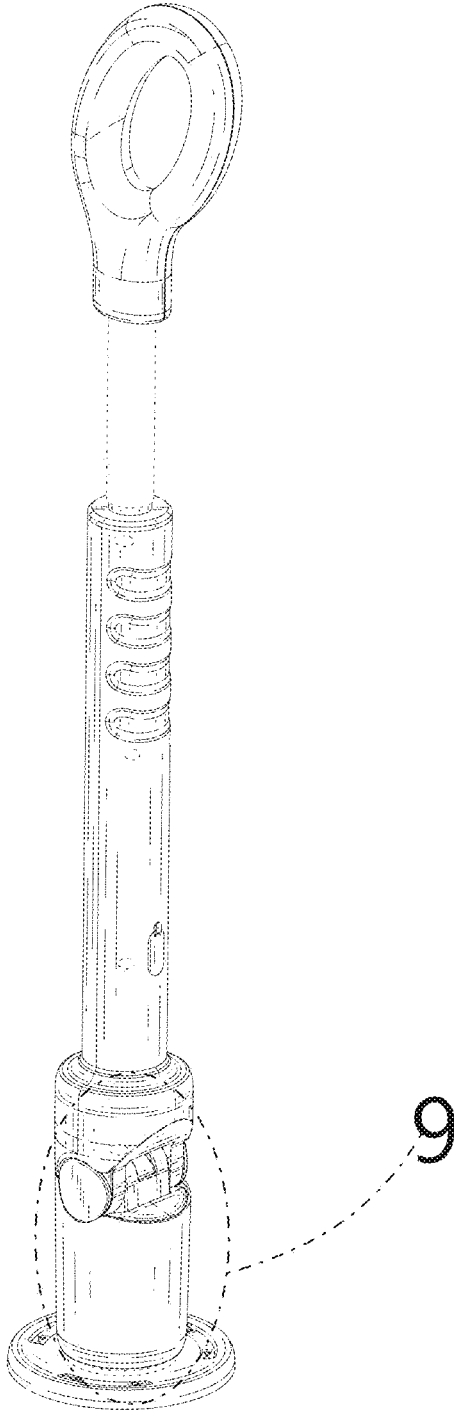


FIG. 1

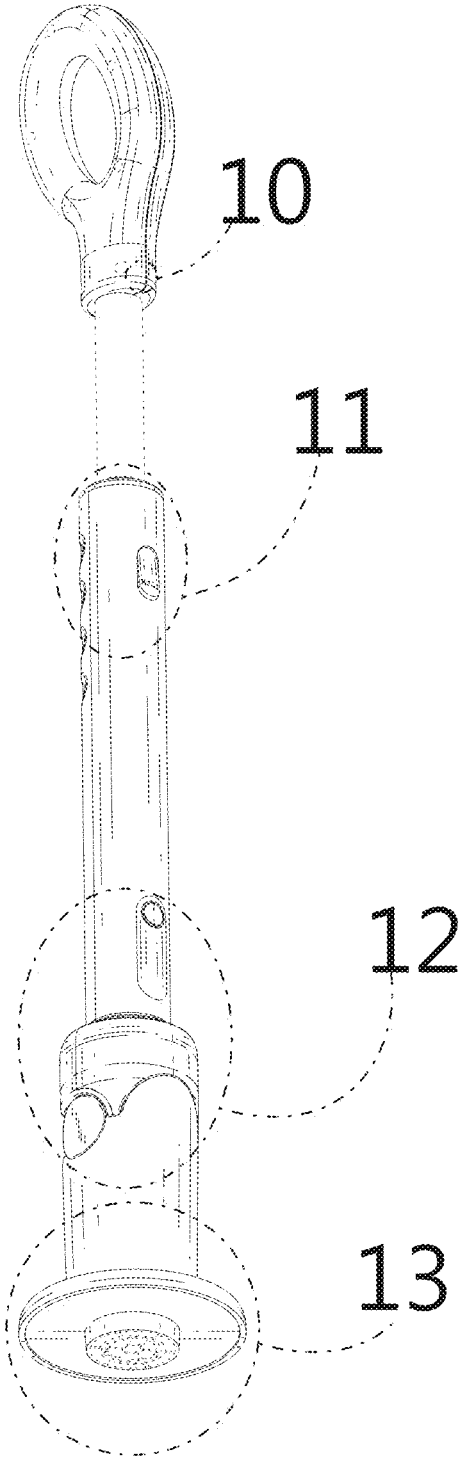


FIG. 2

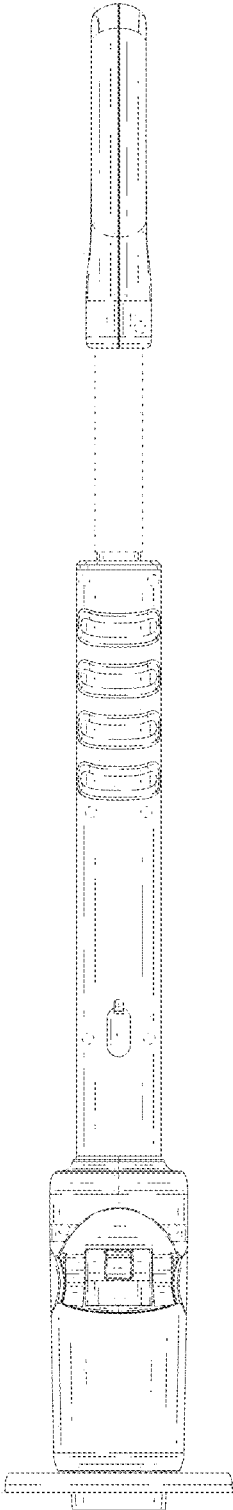


FIG. 3

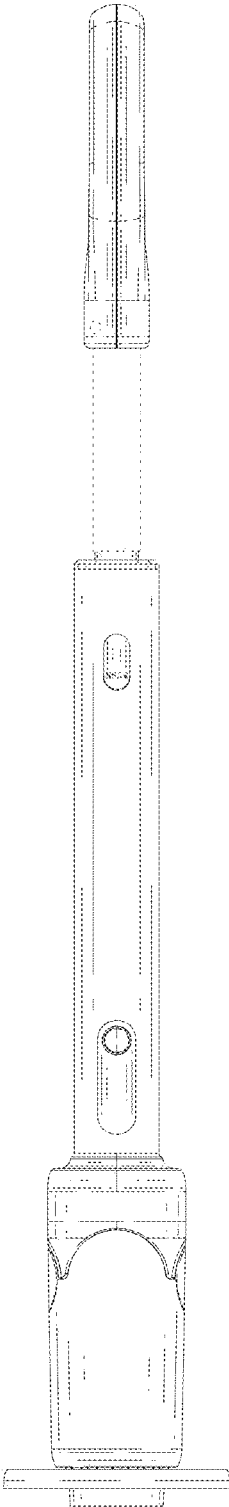


FIG. 4

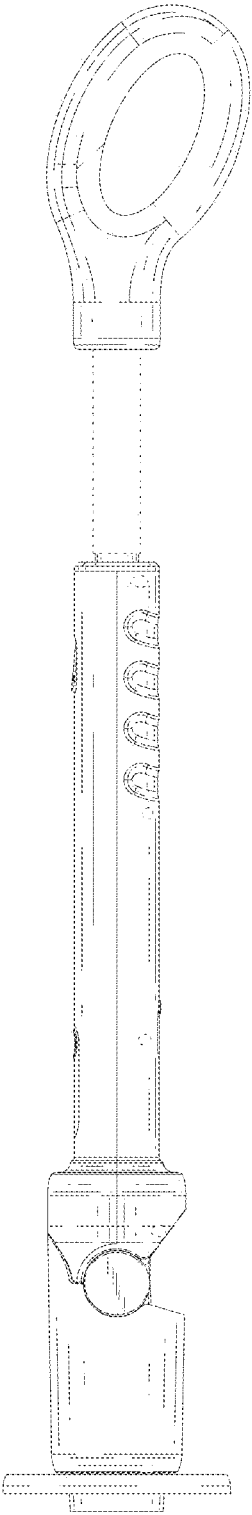


FIG. 5

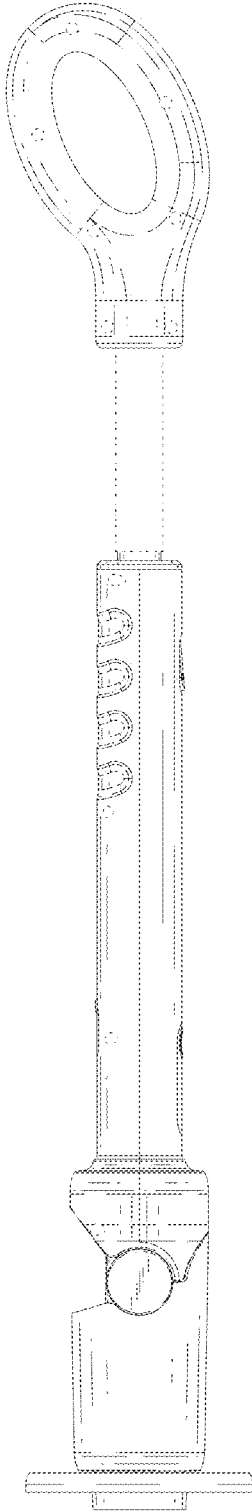


FIG. 6

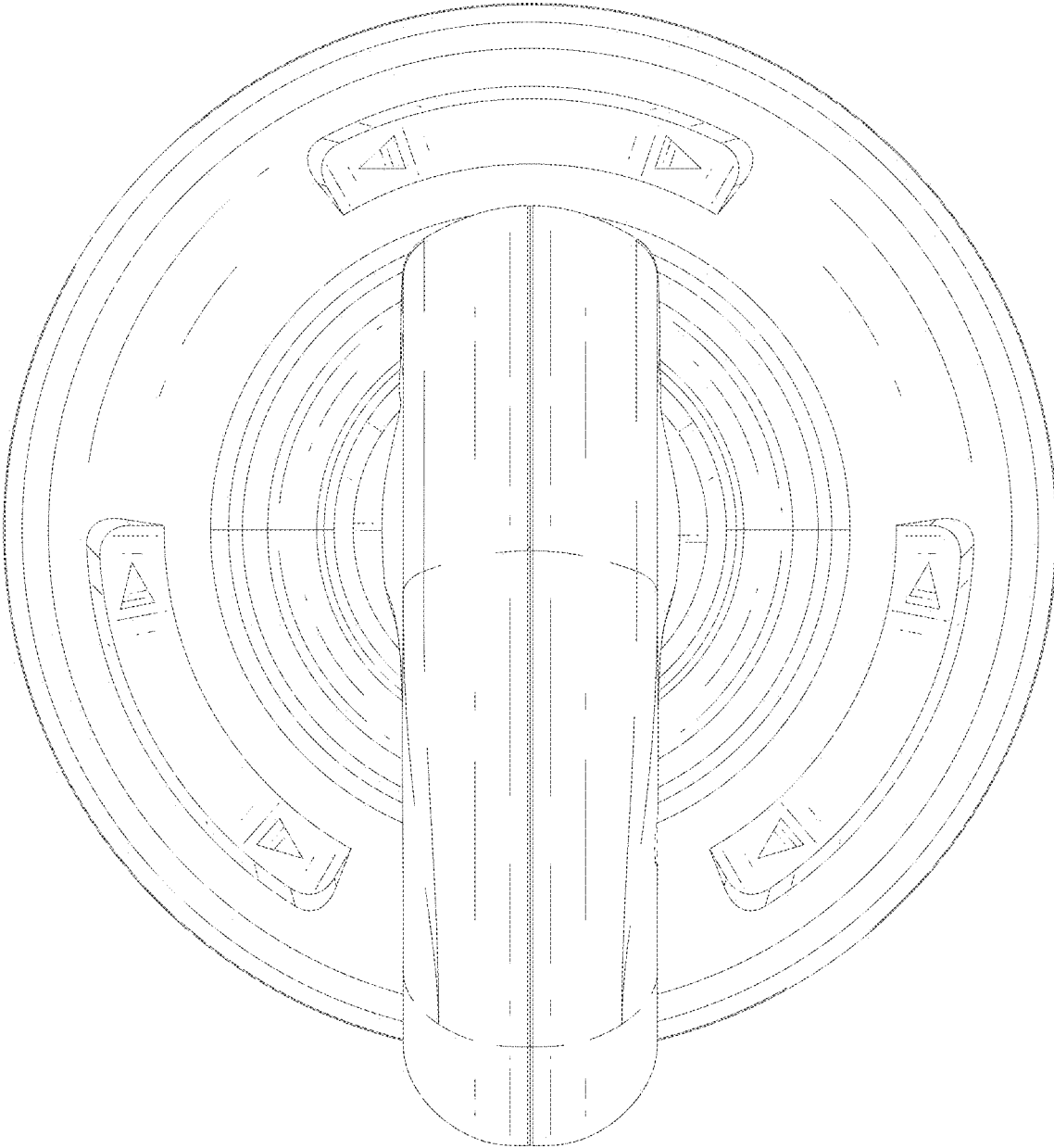


FIG. 7

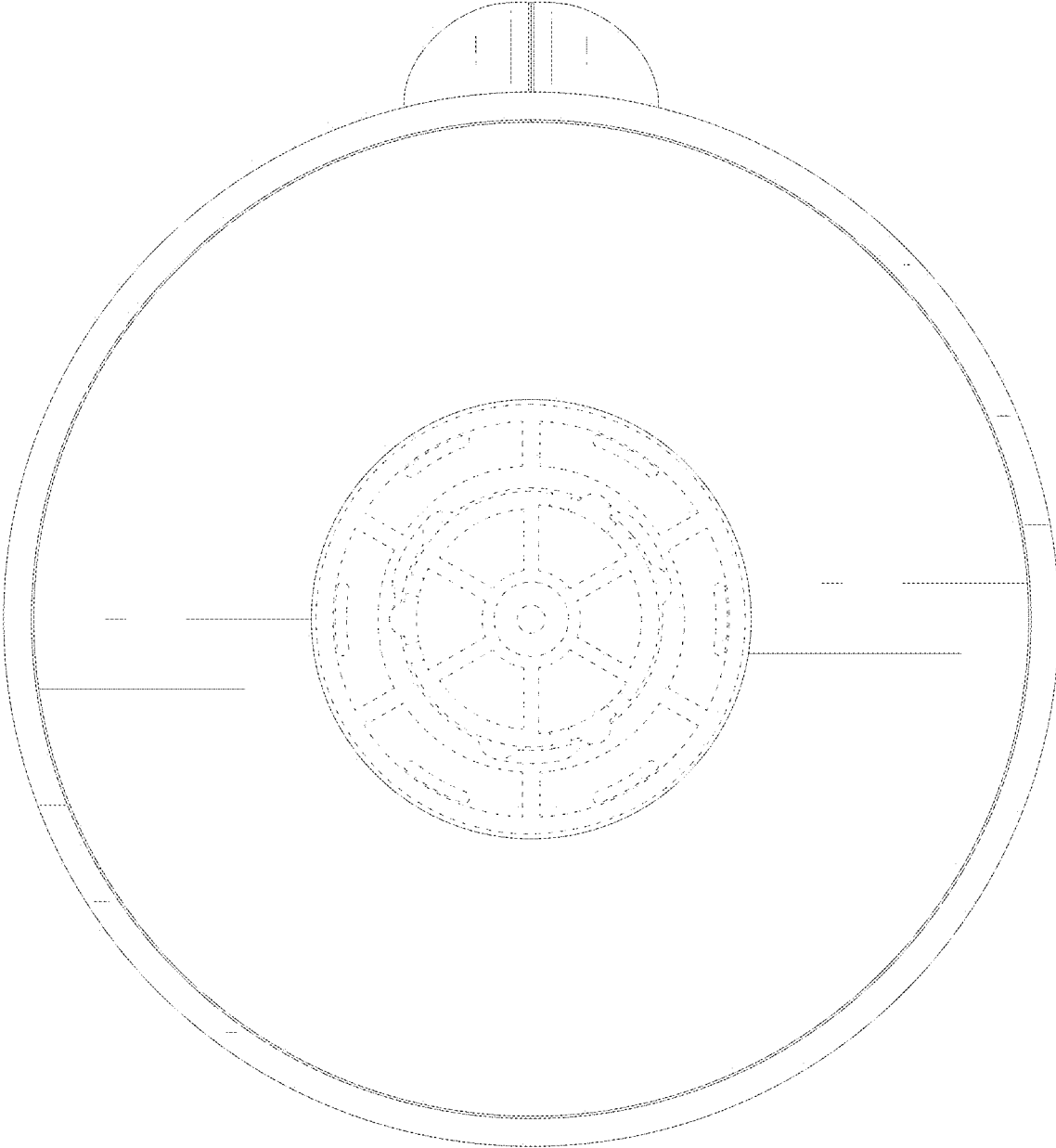


FIG. 8

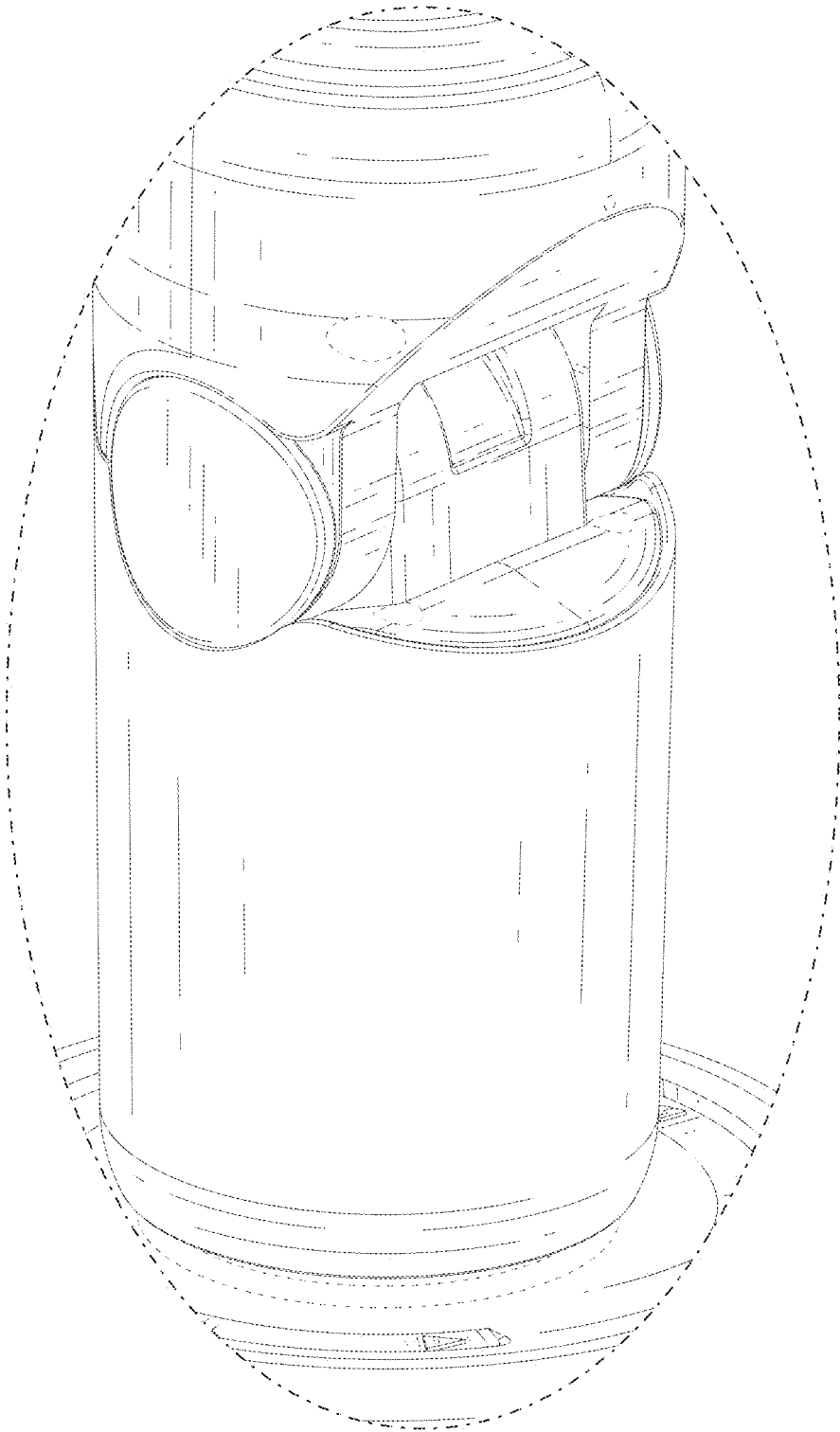


FIG. 9

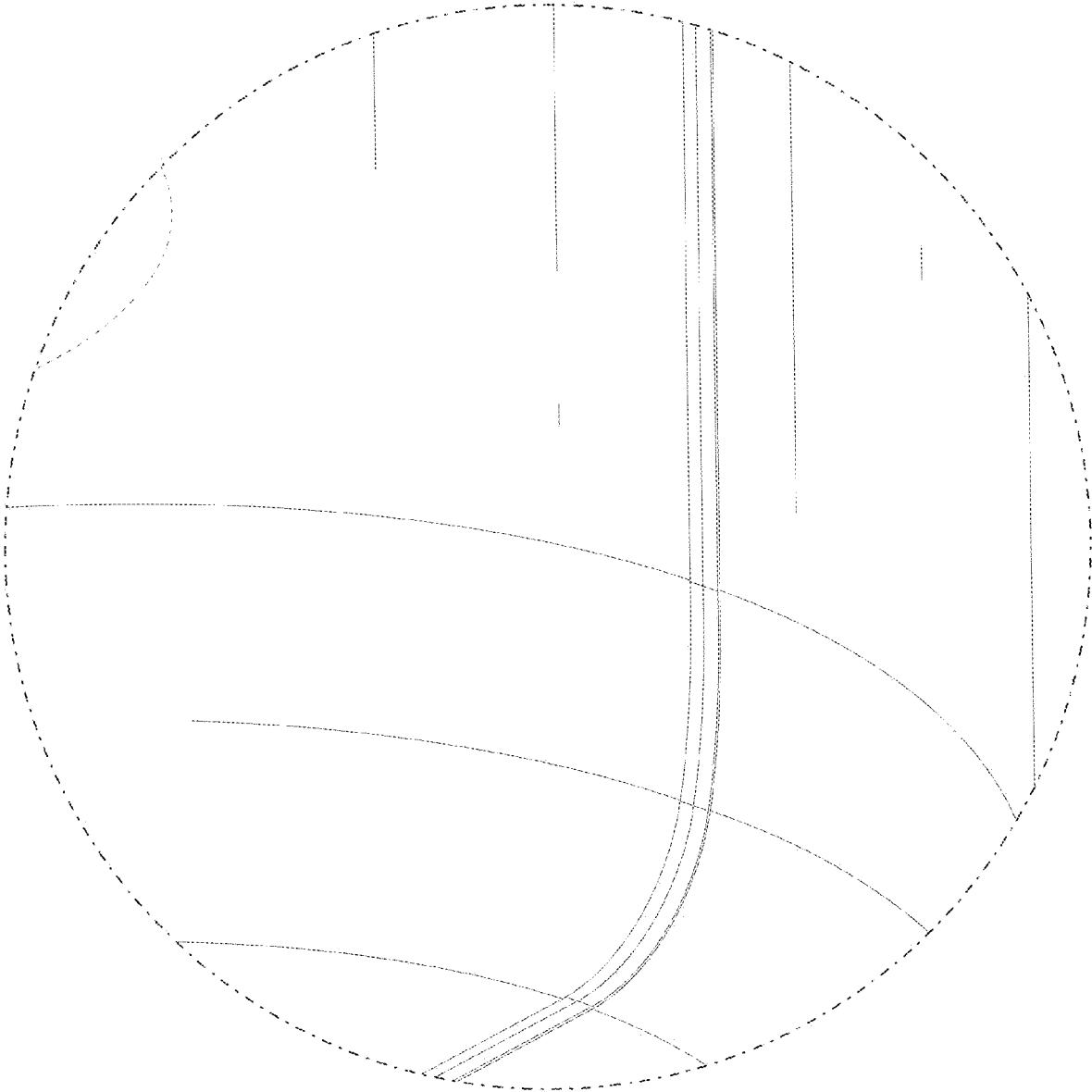


FIG. 10

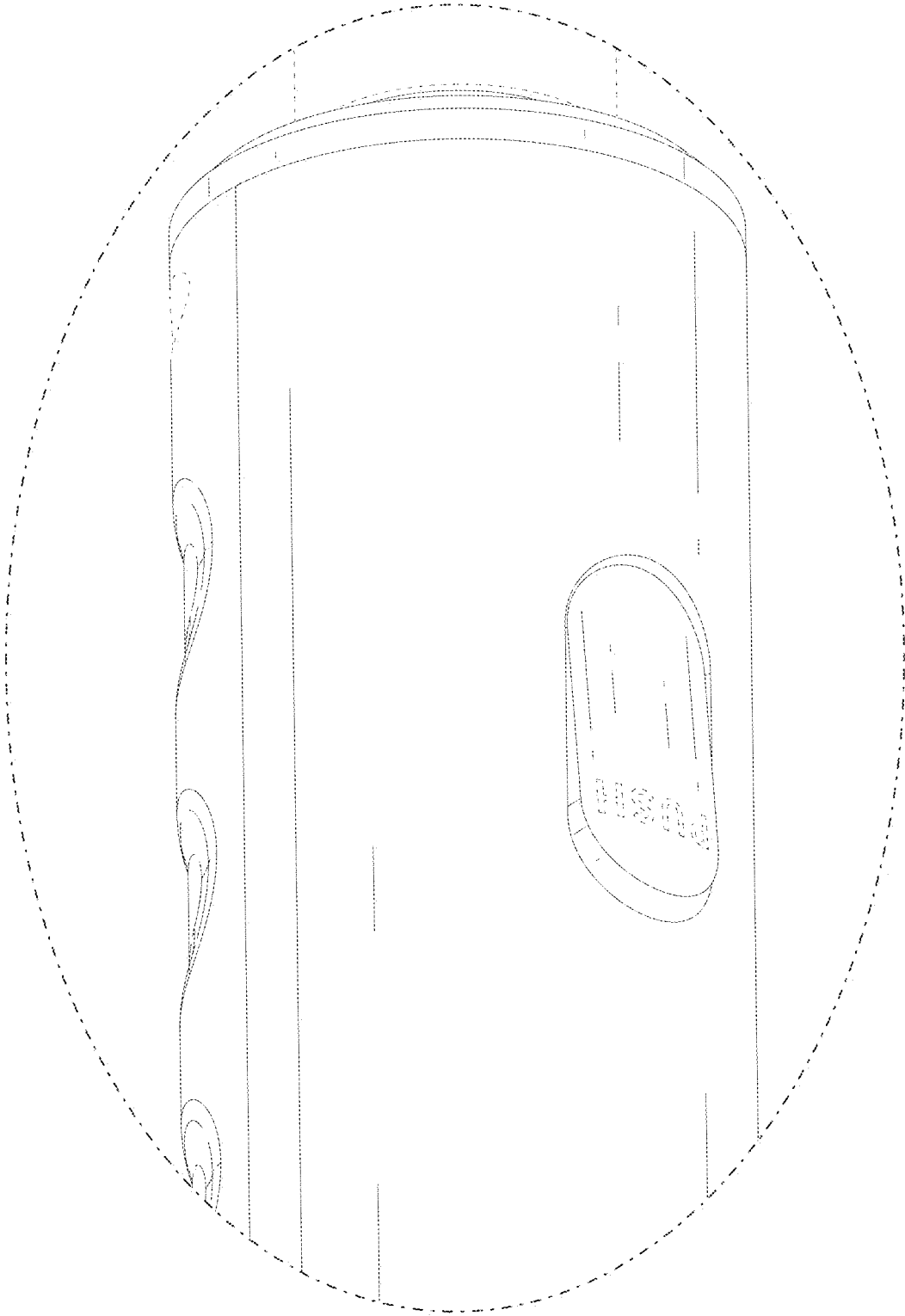


FIG. 11

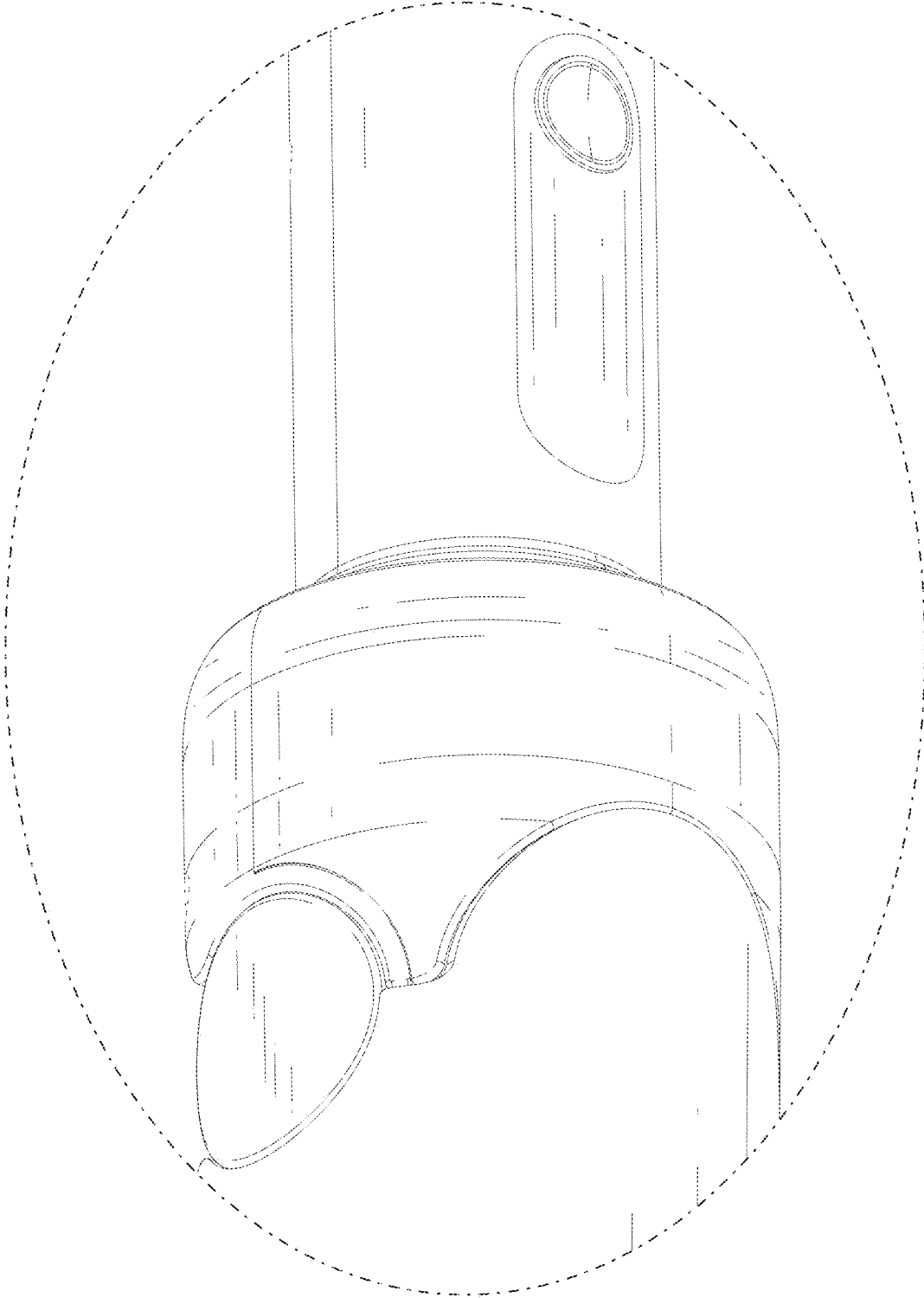


FIG. 12

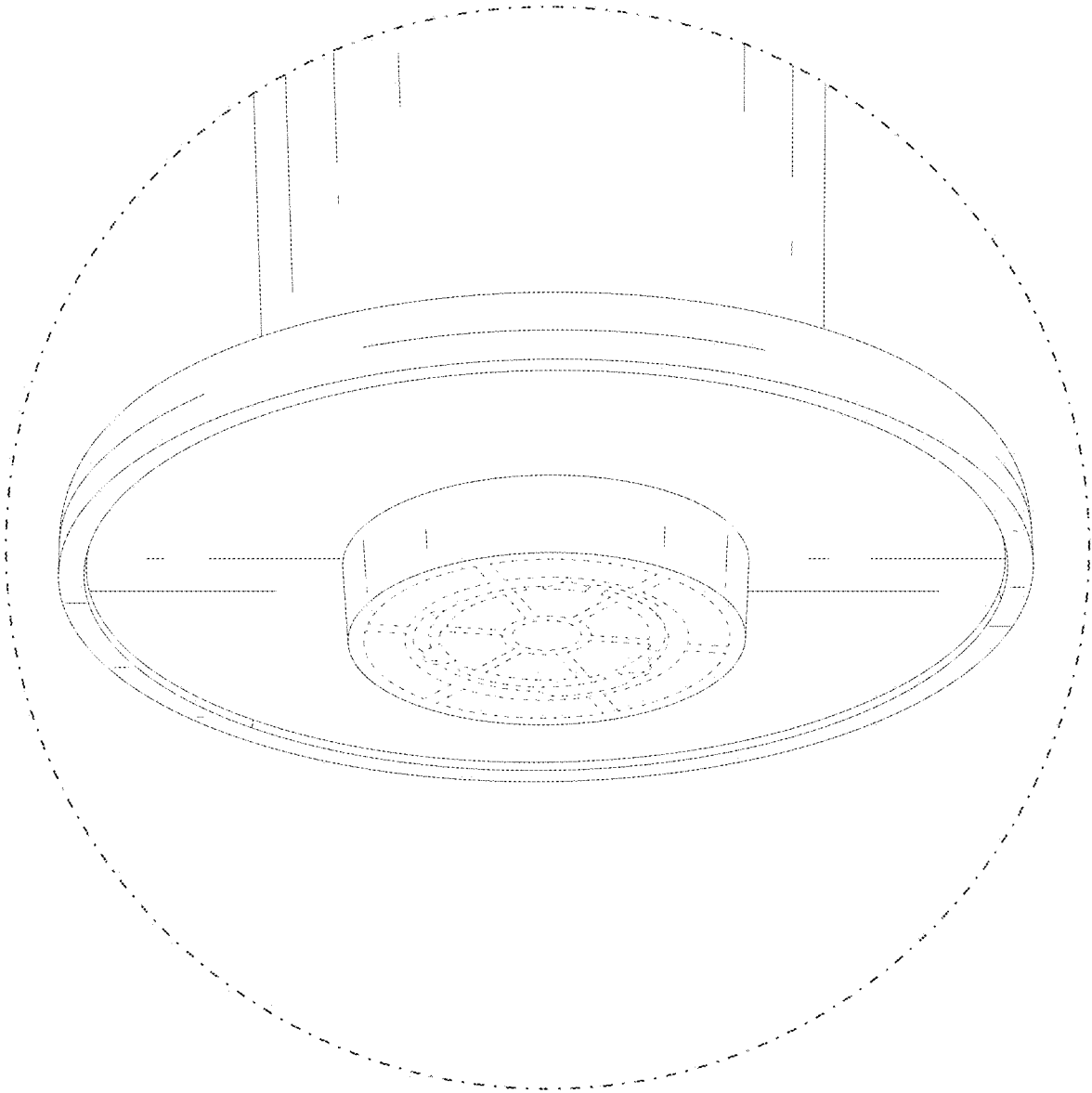


FIG. 13