



US00D572254S

(12) **United States Design Patent**
Goto

(10) **Patent No.:** **US D572,254 S**

(45) **Date of Patent:** **** *Jul. 1, 2008**

(54) **VIDEO GAME CONTROLLER**

(75) Inventor: **Teiyu Goto, Saitama (JP)**

(73) Assignee: **Sony Computer Entertainment Inc., Tokyo (JP)**

(*) Notice: This patent is subject to a terminal disclaimer.

(**) Term: **14 Years**

(21) Appl. No.: **29/246,767**

(22) Filed: **May 8, 2006**

(51) **LOC (8) Cl.** **14-02**

(52) **U.S. Cl.** **D14/401; D21/333**

(58) **Field of Classification Search** D14/217, D14/218, 300, 356, 388, 399, 400, 401, 412-416, D14/432, 454-457; D21/324, 332, 333, D21/329, 331; 463/1, 30, 36-38, 46, 47; 273/148 B, 148 R; 345/156-161, 905

See application file for complete search history.

(56) **References Cited**

U.S. PATENT DOCUMENTS

D398,032 S *	9/1998	Goto	D21/333
D417,664 S *	12/1999	Goto	D14/401
D420,660 S *	2/2000	Chen	D14/401
D425,047 S *	5/2000	Tyler et al.	D14/401
D439,580 S *	3/2001	Goto	D14/413
D441,369 S *	5/2001	Goto	D14/413

D443,618 S *	6/2001	Goto	D14/413
D522,012 S *	5/2006	Hayes et al.	D14/454
2001/0018363 A1 *	8/2001	Goto et al.	463/37
2004/0082382 A1 *	4/2004	Goto et al.	463/37

* cited by examiner

Primary Examiner—Stella M. Reid

Assistant Examiner—Keli L Acker

(74) *Attorney, Agent, or Firm*—Martine Penilla & Gencarella, LLP

(57) **CLAIM**

The ornamental design for a video game controller, as shown and described.

DESCRIPTION

The present design relates to an ornamental object that can be used as an input device for computer programs.

FIG. 1 is a top plan view of a video game controller,

FIG. 2 is a bottom plan view thereof;

FIG. 3 is a left side elevational view thereof;

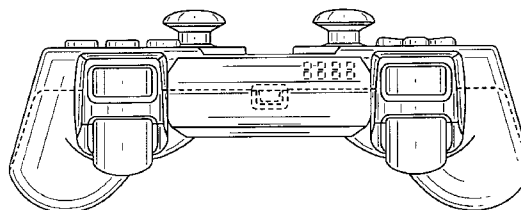
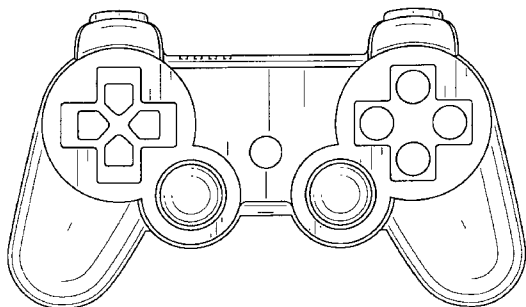
FIG. 4 is a right side elevational view thereof;

FIG. 5 is a front elevational view thereof; and,

FIG. 6 is a rear elevational view thereof.

The broken line showing the port and the LED's is included for the purpose of illustrating environmental structure and forms no part of the claimed design.

1 Claim, 3 Drawing Sheets



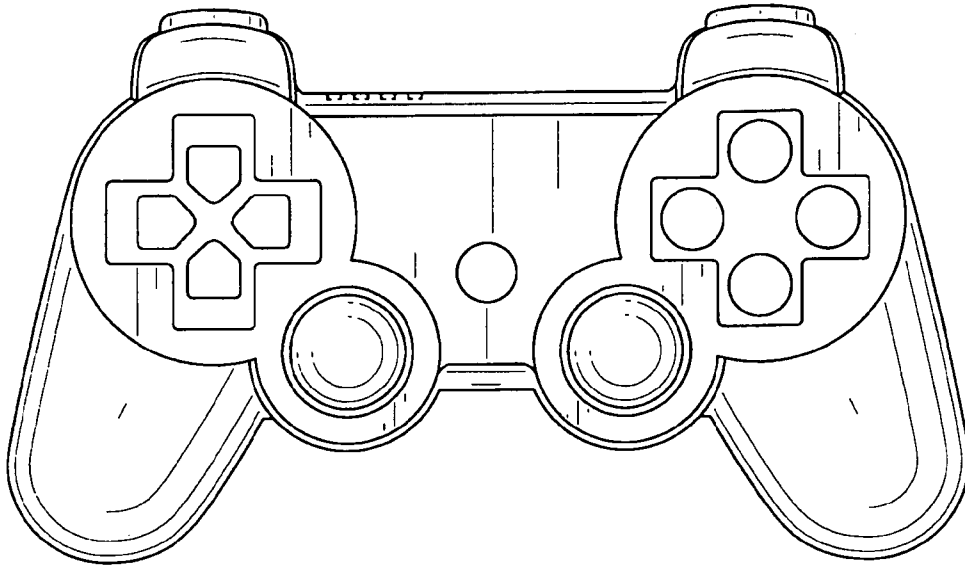


FIG. 1

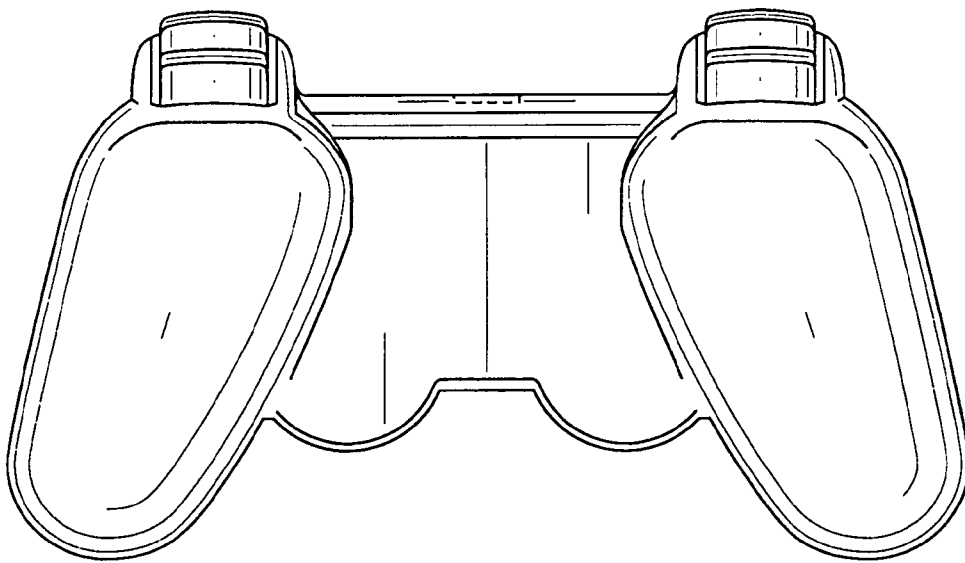


FIG. 2

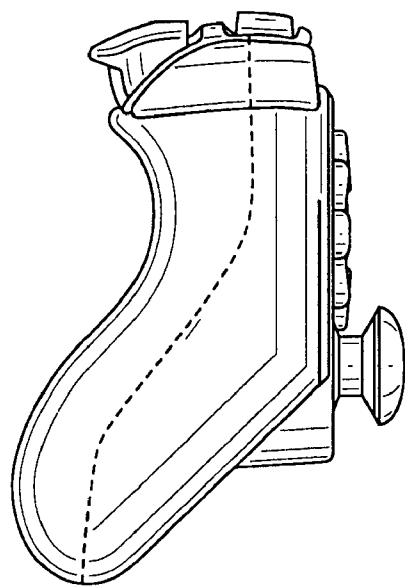


FIG. 3

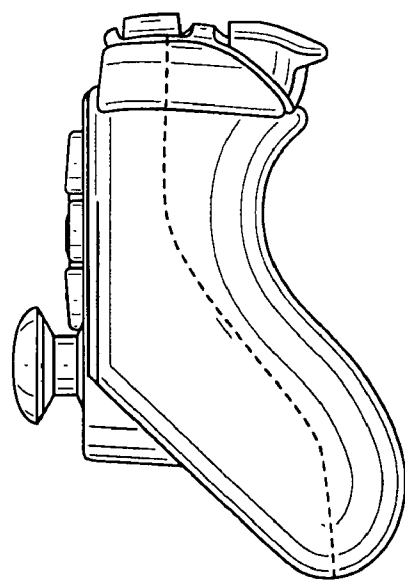


FIG. 4

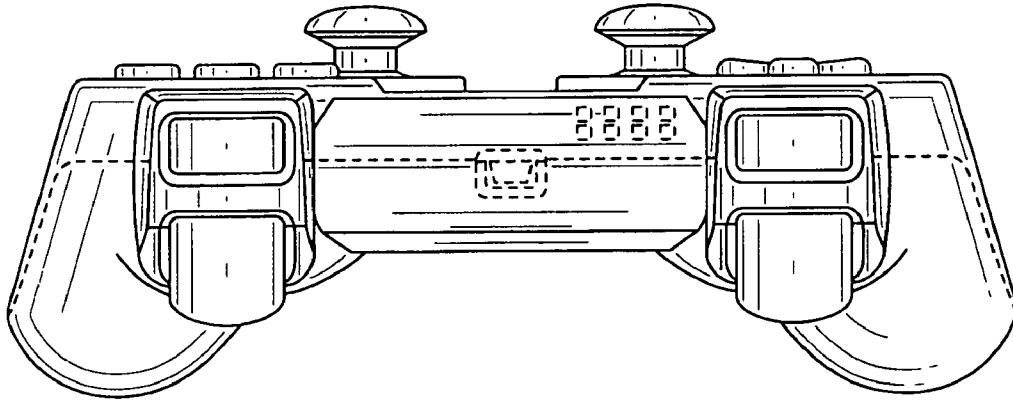


FIG. 5

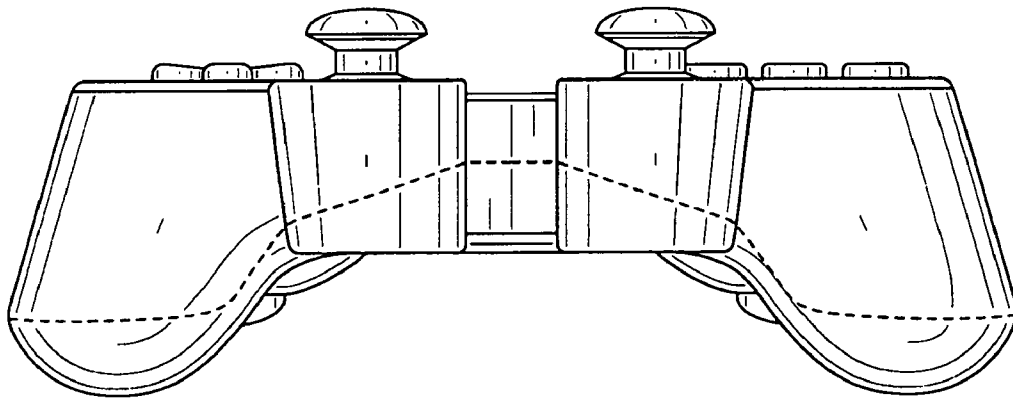


FIG. 6