



(12) **United States Design Patent**
Goettke

(10) **Patent No.:** **US D998,473 S**
(45) **Date of Patent:** **** Sep. 12, 2023**

(54) **SPRING**

FOREIGN PATENT DOCUMENTS

(71) Applicant: **RPC Bramlage GmbH**, Lohne (DE)

KR 301017232.0000 * 7/2019

(72) Inventor: **Sabine Goettke**, Lohne (DE)

OTHER PUBLICATIONS

(73) Assignee: **RPC Bramlage GmbH**, Lohne (DE)

Grainger Approved Disc Spring: Poly Wave Compression, By Grainger online, Published N/A, Retrieved on Apr. 27, 2023 from URhttps://www.grainger.com/product/GRAINGER-APPROVED-Disc-Spring-Poly-Wave-Compression-1UAU2?gucid=N%3AN%3APS%3APaid%3AGGL%3ACSM-2295%3A4P7A1P%3A2050 (Year: 2023).*

(**) Term: **15 Years**

(21) Appl. No.: **29/746,828**

(22) Filed: **Aug. 18, 2020**

(Continued)

(30) **Foreign Application Priority Data**

Feb. 19, 2020 (EM) 007706627

(51) **LOC (14) Cl.** **09-01**

(52) **U.S. Cl.**
USPC **D9/682**; D15/7; D9/448

(58) **Field of Classification Search**

USPC D6/542, 606, 708; D8/25, 354, 355, 382, D8/383, 385, 449; D9/448, 682, 685, D9/688; D12/159; D15/7, 28, 199; D28/91.1; D99/99
CPC B65D 83/0005; B65D 83/14; B65D 83/16; B65D 83/20; B65D 83/205; F04B 45/02; F04B 33/00; F16F 1/3732; F16F 1/377
See application file for complete search history.

Primary Examiner — Jae Liang
Assistant Examiner — Royner Mendoza
(74) *Attorney, Agent, or Firm* — Collard & Roe, P.C.

(57) **CLAIM**

The ornamental design for a spring, as shown and described.

DESCRIPTION

FIG. 1 is a front and right side perspective view of a plastic spring, showing my new design in use in a dispenser bottle; FIG. 2 is a right side view thereof; FIG. 3 is a front and right side view thereof; FIG. 4 is a front view thereof; FIG. 5 is a front and left side view thereof; FIG. 6 is a top, front, and right side view of a spring with the dispenser bottle portion removed for clarity of disclosure; FIG. 7 is a front view thereof with the rear view being identical; FIG. 8 is a front and right side view thereof; FIG. 9 is a right side view thereof, with the left side view being identical; FIG. 10 is a front and left side view thereof; FIG. 11 is a top view thereof; and, FIG. 12 is a bottom view thereof.
The features shown in broken lines depict environmental structure that forms no part of the claimed design.

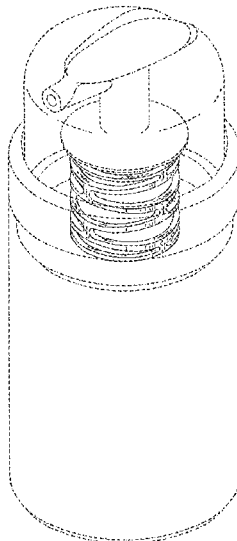
(56) **References Cited**

U.S. PATENT DOCUMENTS

4,203,305 A * 5/1980 Williams F16D 3/005
267/155
4,207,755 A * 6/1980 Weible F16D 3/725
464/60
D375,229 S * 11/1996 DiBella A47G 23/0216
D7/619.1
D640,124 S * 6/2011 Hsieh D8/356
D640,529 S * 6/2011 Hsieh D8/356

(Continued)

1 Claim, 12 Drawing Sheets



(56)

References Cited

U.S. PATENT DOCUMENTS

D723,325 S * 3/2015 Enghard D7/397
D725,431 S * 3/2015 Enghard D7/397
D757,870 S * 5/2016 Leslie D21/693
D784,760 S * 4/2017 Gilmartin D7/378
D876,164 S * 2/2020 Sorensen D7/378
D916,561 S * 4/2021 Nazarov D7/387
D937,904 S * 12/2021 Kim D15/7
D937,905 S * 12/2021 Kim D15/7
2022/0106996 A1 * 4/2022 Goettke F16F 1/3732

OTHER PUBLICATIONS

LeeP Plastic Composite Springs, By leespring online, Published
N/A, Retrieved on Apr. 27, 2023 from URL:<https://www.leespring.com/learn-about-leep-plastic-composite-springs> (Year: 2023).*

* cited by examiner

FIG. 1

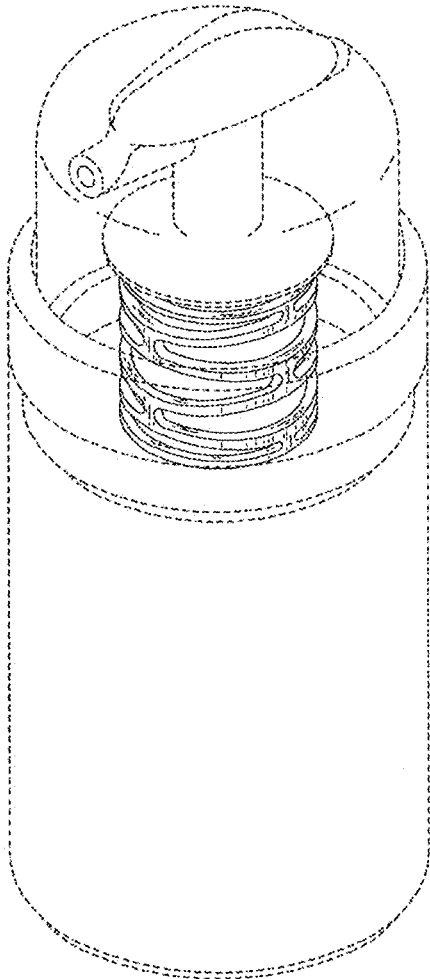


FIG.2

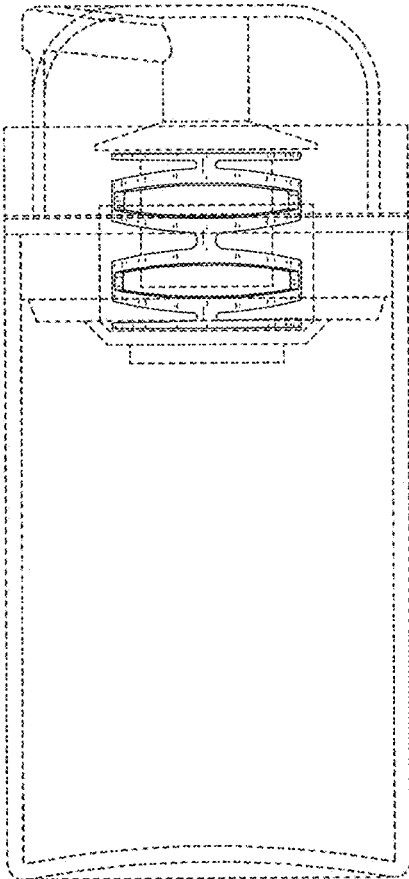


FIG.3

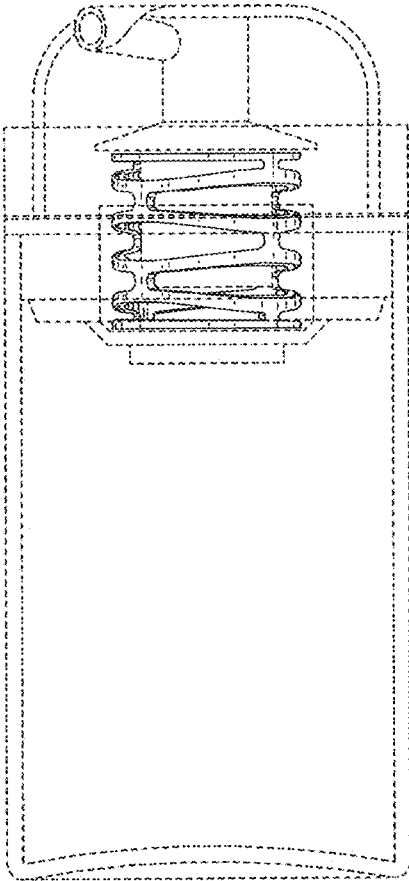


FIG.4

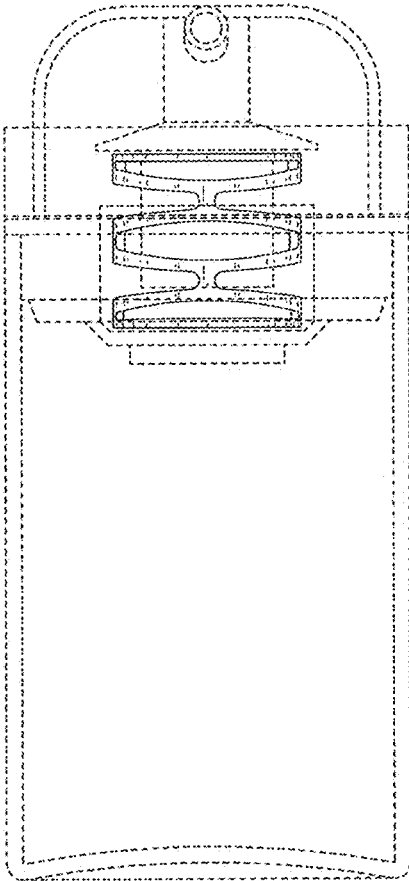


FIG.5

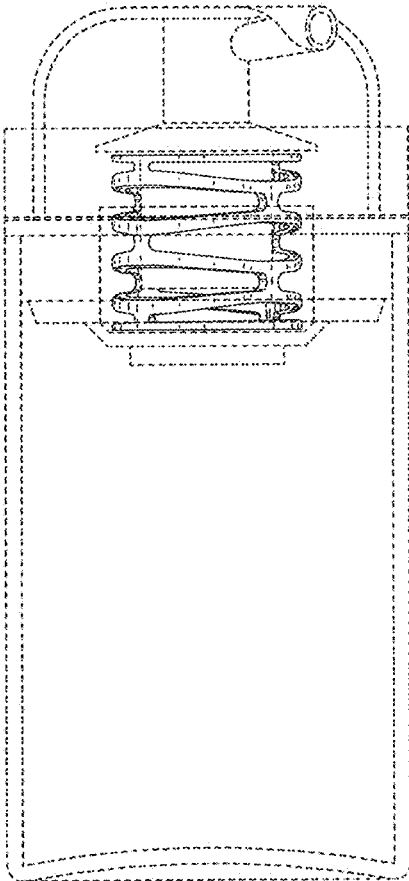


FIG. 6

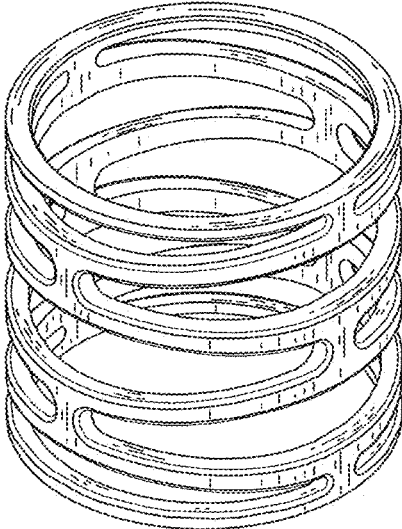


FIG. 7

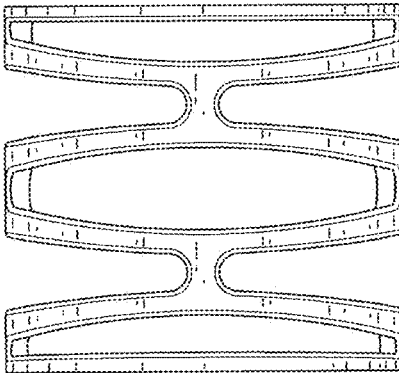


FIG. 8

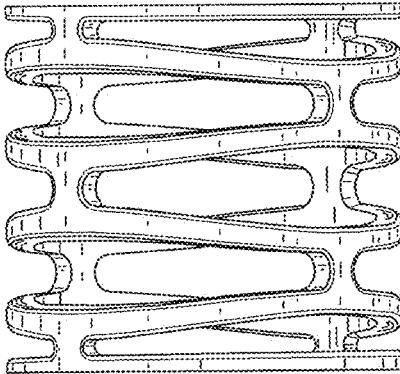


FIG. 9

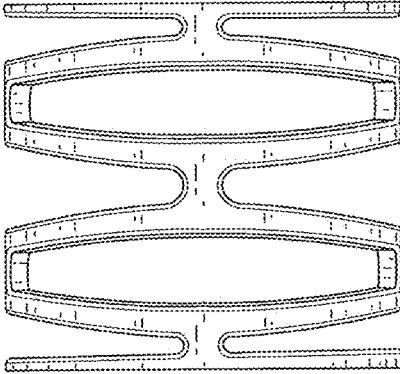


FIG. 10

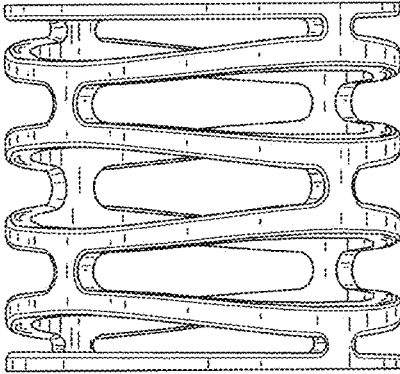


FIG. 11

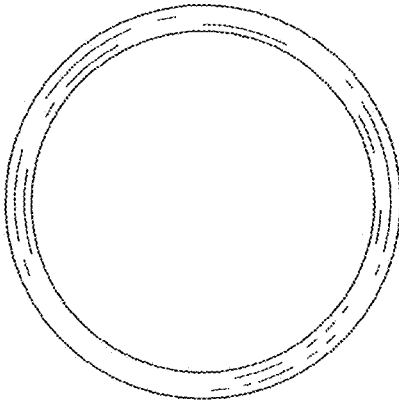


FIG. 12

