



US00D830283S

(12) **United States Design Patent**
Schmeichel et al.

(10) **Patent No.:** **US D830,283 S**

(45) **Date of Patent:** **** Oct. 9, 2018**

- (54) **FOLDING COVER ASSEMBLY**
- (71) Applicant: **Agri-Cover, Inc.**, Jamestown, ND (US)
- (72) Inventors: **Charles M. Schmeichel**, Jamestown, ND (US); **John W. Simon**, Jamestown, ND (US)
- (73) Assignee: **Agri-Cover, Inc.**, Jamestown, ND (US)
- (**) Term: **15 Years**
- (21) Appl. No.: **29/582,685**

- 5,350,213 A 9/1994 Bernardo
- 5,364,154 A 11/1994 Kaiser
- 5,385,377 A 1/1995 Girard
- 5,427,428 A 6/1995 Ericson et al.
- 5,480,206 A 1/1996 Hathaway et al.
- 5,487,585 A 1/1996 Wheatley
- 5,522,635 A 6/1996 Downey
- 5,553,652 A 9/1996 Rushford

(Continued)

FOREIGN PATENT DOCUMENTS

- CN 1827424 A 9/2006
- WO 99/36290 7/1999

OTHER PUBLICATIONS

Agri-Cover, Inc., "Lomax Hard Tri-Fold Cover Installation Instructions and Owners Manual", published on Aug. 4, 2016 by Agri-Cover, Inc., Jamestown ND, USA.

(Continued)

Primary Examiner — Katrina A Betton
(74) *Attorney, Agent, or Firm* — Moore & Hansen, PLLC; Robert C. Freed

(57) **CLAIM**

We claim the ornamental design for a folding cover assembly, as shown.

DESCRIPTION

FIG. 1 is a perspective view of a folding cover assembly showing our new design;
FIG. 2 is a top plan view thereof;
FIG. 3 is a left side elevational view thereof, which is a mirror image of the right side elevational view thereof; and,
FIG. 4 is a rear elevational view thereof and the front elevational view thereof is obstructed by the cab of the pickup truck and is not visible from the front of the pickup truck.

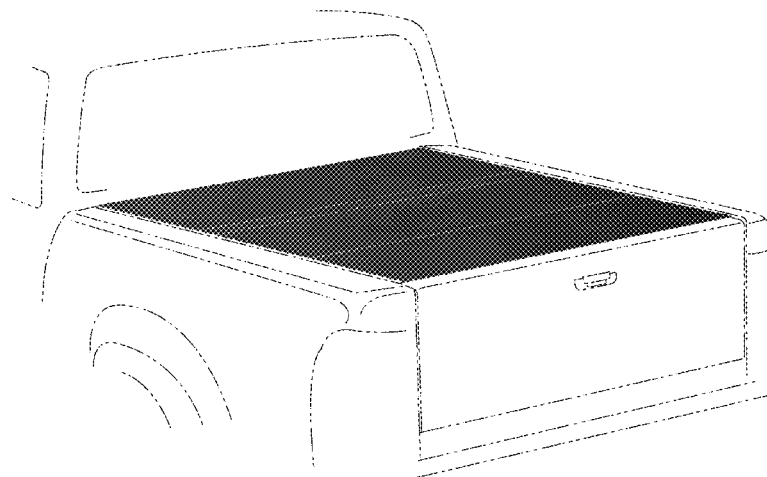
1 Claim, 4 Drawing Sheets

- (22) Filed: **Oct. 28, 2016**
- (51) **LOC (11) Cl.** **12-16**
- (52) **U.S. Cl.**
USPC **D12/401**
- (58) **Field of Classification Search**
USPC D12/401-405; D6/610, 611, 596,
D6/601-603, 615, 617, 621; D7/332,
D7/334-337
CPC ... B62J 19/00; B62J 19/18; B62J 19/26; B62J
19/24; B62J 19/28; B62J 19/22
See application file for complete search history.

(56) **References Cited**

U.S. PATENT DOCUMENTS

- 2,906,323 A 9/1959 Macy
- 3,923,334 A 12/1975 Key
- 4,036,521 A 7/1977 Clenet
- 4,272,119 A 6/1981 Adams
- 4,273,377 A 6/1981 Alexander
- 4,838,602 A 6/1989 Nett
- 4,923,240 A 5/1990 Swanson
- 5,040,843 A 8/1991 Russell et al.
- 5,058,652 A 10/1991 Wheatley et al.
- 5,067,766 A 11/1991 Lovaas
- 5,076,338 A 12/1991 Schmeichel et al.
- 5,174,353 A 12/1992 Schmeichel et al.
- 5,251,951 A 10/1993 Wheatley
- 5,263,761 A 11/1993 Hathaway et al.



(56)

References Cited

U.S. PATENT DOCUMENTS

5,584,521	A	12/1996	Hathaway et al.	9,630,479	B2	4/2017	Facchinello et al.
5,595,417	A	1/1997	Thoman et al.	9,694,656	B2	7/2017	Maimin et al.
5,655,808	A	8/1997	Wheatley	9,694,657	B2	7/2017	Carlson
5,688,017	A	11/1997	Bennett	9,738,143	B2	8/2017	Weltikol et al.
5,758,922	A	6/1998	Wheatley	9,764,628	B2	9/2017	Facchinello et al.
5,775,765	A	7/1998	Kintz	9,815,357	B2	11/2017	Hall
5,788,315	A	8/1998	Tucker	9,849,765	B2	12/2017	Carlson
5,860,691	A	1/1999	Thomsen et al.	2001/0020792	A1	9/2001	Huotari
5,906,407	A	5/1999	Schmeichel	2002/0096268	A1*	7/2002	Schmeichel B60J 7/102 160/328
6,024,401	A	2/2000	Wheatley et al.	2002/0096910	A1	7/2002	Schmeichel et al.
6,024,402	A	2/2000	Wheatley	2006/0267370	A1	11/2006	Wheatly et al.
6,030,021	A	2/2000	Ronai	2008/0100088	A1	5/2008	Calder et al.
6,053,556	A	4/2000	Webb	2010/0019529	A1	1/2010	Alston
6,234,561	B1	5/2001	Huotari	2010/0019530	A1	1/2010	Schmeichel et al.
6,257,306	B1	7/2001	Weldy	2010/0133872	A1	6/2010	Kosinski
6,257,647	B1	7/2001	Ninness et al.	2010/0270824	A1	10/2010	Yue
6,264,266	B1	7/2001	Ruso et al.	2011/0169296	A1	7/2011	Schrader et al.
6,439,640	B1	8/2002	Wheatley	2012/0049568	A1	3/2012	Wolf et al.
6,499,791	B2	12/2002	Wheatley	2012/0274091	A1	11/2012	Yue
6,543,835	B2	4/2003	Schmeichel et al.	2012/0274092	A1	11/2012	Yue
6,607,234	B1	8/2003	Schmeichel	2012/0274093	A1	11/2012	Yue
6,672,644	B2	1/2004	Schmeichel	2013/0033061	A1	2/2013	Yue
6,719,353	B1	4/2004	Isler et al.	2013/0114997	A1	5/2013	Yue
6,851,738	B1	2/2005	Schmeichel et al.	2015/0061315	A1	3/2015	Facchinello et al.
6,948,761	B2	9/2005	Haack et al.	2015/0165959	A1	6/2015	Yue
7,066,524	B2	6/2006	Schmeichel et al.	2015/0165960	A1	6/2015	Yue
7,104,586	B2	9/2006	Schmeichel et al.	2016/0096421	A1	4/2016	Facchinello et al.
7,334,830	B2	2/2008	Weldy	2016/0096422	A1	4/2016	Facchinello et al.
7,445,264	B2	11/2008	Spencer et al.	2016/0096423	A1	4/2016	Facchinello et al.
7,472,941	B2	1/2009	Schmeichel et al.	2017/0066311	A1	3/2017	Facchinello et al.
7,484,788	B2	2/2009	Calder et al.	2017/0144522	A1	5/2017	Facchinello et al.
7,537,264	B2	5/2009	Maimin et al.	2017/0144523	A1	5/2017	Facchinello et al.
7,621,582	B2	11/2009	Schmeichel et al.	2017/0197498	A1	7/2017	Facchinello et al.
D620,877	S	8/2010	Rusher et al.	2018/0118004	A1*	5/2018	Schmeichel B60J 7/141
7,815,239	B1	10/2010	Schmeichel et al.				
7,828,361	B1	11/2010	Spencer				
D639,229	S *	6/2011	van Voorst tot Voorst				
			D12/401				
8,033,591	B2	10/2011	Schmeichel et al.				
8,061,758	B2	11/2011	Maimin et al.				
8,083,281	B2	12/2011	Schmeichel et al.				
8,167,353	B2	5/2012	Schmeichel et al.				
8,182,021	B2	5/2012	Maimin et al.				
8,262,148	B2	9/2012	Rusher et al.				
8,308,218	B2	11/2012	Kneifl et al.				
8,328,267	B2	12/2012	Schmeichel et al.				
8,336,946	B2	12/2012	Schrader et al.				
8,439,423	B2	5/2013	Schmeichel et al.				
D687,760	S *	8/2013	Gros	D12/401			
D687,761	S *	8/2013	Gros	D12/401			
8,511,736	B2	8/2013	Williamson et al.				
8,544,934	B2	10/2013	Maimin et al.				
8,567,843	B2	10/2013	Schmeichel et al.				
8,585,120	B2	11/2013	Rusher et al.				
8,596,708	B2	12/2013	Schmeichel et al.				
8,690,224	B2	4/2014	Maimin et al.				
8,714,622	B2	5/2014	Spencer et al.				
8,857,887	B1	10/2014	Schmeichel				
8,939,494	B2	1/2015	Maimin et al.				
8,960,764	B2	2/2015	Spencer				
8,960,765	B2	2/2015	Facchinello et al.				
D727,244	S *	4/2015	Hashimoto	D12/401			
D733,033	S *	6/2015	Rohr	D12/401			
9,045,069	B2	6/2015	Schmeichel et al.				
9,056,542	B2	6/2015	Schmeichel				
9,211,834	B2	12/2015	Facchinello et al.				
9,254,735	B2	2/2016	Spencer				
9,260,139	B2	2/2016	Schmeichel				
9,278,611	B2	3/2016	Maimin et al.				
9,290,122	B2	3/2016	Spencer				
9,393,854	B2	6/2016	Schmeichel et al.				
D776,601	S *	1/2017	McDonald, II	D12/401			
9,533,555	B2	1/2017	Facchinello et al.				
9,545,835	B2	1/2017	Facchinello et al.				
9,597,995	B1	3/2017	Weltikol et al.				

OTHER PUBLICATIONS

Agri-Cover, Inc., "Lomax Hard Tri-Fold Cover Display Sign Aug. 2016", published in Aug. 2016 by Agri-Cover, Inc., Jamestown ND, USA.

Agri-Cover, Inc., "Lomax Hard Tri-Fold Cover Brochure Aug. 2016", published in Aug. 2016 by Agri-Cover, Inc., Jamestown ND, USA.

Agri-Cover, Inc., "Lomax Hard Tri-Fold Cover Colorado Canyon Clamp Instructions Aug. 9, 2016", published on Aug. 9, 2016 by Agri-Cover, Inc., Jamestown ND, USA.

Agri-Cover, Inc., "Lomax Hard Tri-Fold Cover Silverado Sierra Clamp Instructions Aug. 9, 2016", published on Aug. 9, 2016 by Agri-Cover, Inc., Jamestown ND, USA.

Laurmark Enterprises, Inc., "Bakflip Hard Folding Cover Installation Sheet rev Apr. 13, 2016", unknown publication date by Laurmark Enterprises, Inc., San Fernando CA, USA.

Agri-Cover, Inc., "Image published on Facebook website Jun. 24, 2016", published on Jun. 24, 2016 on Facebook.com by Agri-Cover, Inc., Jamestown ND, USA.

Agri-Cover, Inc., "Image published on Facebook website Jul. 20, 2016", published on Jul. 20, 2016 on Facebook.com by Agri-Cover, Inc., Jamestown ND, USA.

Agri-Cover, Inc., "Image published on Facebook website Jul. 28, 2016", published on Jul. 28, 2016 on Facebook.com by Agri-Cover, Inc., Jamestown ND, USA.

Agri-Cover, Inc., "Image published on Facebook website Aug. 27, 2016", published on Aug. 27, 2016 on Facebook.com by Agri-Cover, Inc., Jamestown ND, USA.

Agri-Cover, Inc., "Image published on Facebook website Aug. 28, 2016", published on Aug. 28, 2016 on Facebook.com by Agri-Cover, Inc., Jamestown ND, USA.

Agri-Cover, Inc., "Image published on Facebook website Aug. 29, 2016", published on Aug. 29, 2016 on Facebook.com by Agri-Cover, Inc., Jamestown ND, USA.

Agri-Cover, Inc., "Image published on Facebook website Aug. 30, 2016", published on Aug. 30, 2016 on Facebook.com by Agri-Cover, Inc., Jamestown ND, USA.

(56)

References Cited

OTHER PUBLICATIONS

Agri-Cover, Inc., "Videos published on Agricovert shopping website Aug. 9, 2016", published on Aug. 9, 2016 on shop.agricover.com by Agri-Cover, Inc., Jamestown ND, USA.

Agri-Cover, Inc., "Promotional document for Access booth at SEMA show published Oct. 15, 2016", published on Oct. 15, 2016 by mail by Agri-Cover, Inc., Jamestown ND, USA.

Agri-Cover, Inc., "Image published on Agricovert shopping website Jul. 15, 2016", published on Jul. 15, 2016 on shop.agricover.com by Agri-Cover, Inc., Jamestown ND, USA.

Agri-Cover, Inc., "Image published on Twitter website Jul. 28, 2016", published on Jul. 28, 2016 on Twitter.com by Agri-Cover, Inc., Jamestown ND, USA.

Agri-Cover, Inc., "Image published on Twitter website Aug. 10, 2016", published on Aug. 10, 2016 on Twitter.com by Agri-Cover, Inc., Jamestown ND, USA.

Agri-Cover, Inc., "Image published on Twitter website Aug. 12, 2016", published on Aug. 12, 2016 on Twitter.com by Agri-Cover, Inc., Jamestown ND, USA.

Agri-Cover, Inc., "Image published on Twitter website Aug. 26, 2016", published on Aug. 26, 2016 on Twitter.com by Agri-Cover, Inc., Jamestown ND, USA.

Agri-Cover, Inc., "Image published on Twitter website Aug. 27, 2016", published on Aug. 27, 2016 on Twitter.com by Agri-Cover, Inc., Jamestown ND, USA.

Agri-Cover, Inc., "Image published on Twitter website Aug. 28, 2016", published on Aug. 28, 2016 on Twitter.com by Agri-Cover, Inc., Jamestown ND, USA.

Agri-Cover, Inc., "Image published on Twitter website Aug. 29, 2016", published on Aug. 29, 2016 on Twitter.com by Agri-Cover, Inc., Jamestown ND, USA.

Agri-Cover, Inc., "Image published on Twitter website Aug. 30, 2016", published on Aug. 30, 2016 on Twitter.com by Agri-Cover, Inc., Jamestown ND, USA.

Agri-Cover, Inc., "Image published on Twitter website Aug. 31, 2016", published on Aug. 31, 2016 on Twitter.com by Agri-Cover, Inc., Jamestown ND, USA.

Agri-Cover, Inc., "Image published on Twitter website Sep. 1, 2016", published on Sep. 1, 2016 on Twitter.com by Agri-Cover, Inc., Jamestown ND, USA.

Agri-Cover, Inc., "Image published on Twitter website Sep. 8, 2016", published on Sep. 8, 2016 on Twitter.com by Agri-Cover, Inc., Jamestown ND, USA.

Agri-Cover, Inc., "Image published on Twitter website Sep. 16, 2016", published on Sep. 16, 2016 on Twitter.com by Agri-Cover, Inc., Jamestown ND, USA.

Agri-Cover, Inc., "Image published on Twitter website Sep. 23, 2016", published on Sep. 23, 2016 on Twitter.com by Agri-Cover, Inc., Jamestown ND, USA.

Agri-Cover, Inc., "Image published on Twitter website Oct. 5, 2016", published on Oct. 5, 2016 on Twitter.com by Agri-Cover, Inc., Jamestown ND, USA.

Agri-Cover, Inc., "Image published on Twitter website Oct. 19, 2016", published on Oct. 19, 2016 on Twitter.com by Agri-Cover, Inc., Jamestown ND, USA.

Agri-Cover, Inc., "Image published on Twitter website Oct. 27, 2016", published on Oct. 27, 2016 on Twitter.com by Agri-Cover, Inc., Jamestown ND, USA.

Agri-Cover, Inc., "Video published on Twitter website Jul. 8, 2016", published on Jul. 8, 2016 on Twitter.com by Agri-Cover, Inc., Jamestown ND, USA.

Agri-Cover, Inc., "Video published on Twitter website Aug. 5, 2016", published on Aug. 5, 2016 on Twitter.com by Agri-Cover, Inc., Jamestown ND, USA.

Agri-Cover, Inc., "Video published on Twitter website Aug. 16, 2016", published on Aug. 16, 2016 on Twitter.com by Agri-Cover, Inc., Jamestown ND, USA.

Agri-Cover, Inc., "Video published on Twitter website Aug. 26, 2016", published on Aug. 26, 2016 on Twitter.com by Agri-Cover, Inc., Jamestown ND, USA.

Agri-Cover, Inc., "Video published on Twitter website Oct. 11, 2016", published on Oct. 11, 2016 on Twitter.com by Agri-Cover, Inc., Jamestown ND, USA.

Agri-Cover, Inc., "Ease of Use video published on YouTube website Aug. 9, 2016", published on Aug. 9, 2016 on Youtube.com by Agri-Cover, Inc., Jamestown ND, USA.

Agri-Cover, Inc., "Fast Install video published on YouTube website Jun. 24, 2016", published on Jun. 24, 2016 on Youtube.com by Agri-Cover, Inc., Jamestown ND, USA.

Agri-Cover, Inc., "Installation video published on YouTube website Oct. 5, 2016", published on Oct. 5, 2016 on Youtube.com by Agri-Cover, Inc., Jamestown ND, USA.

Agri-Cover, Inc., "Introducing the Lomax Hard Tri-Fold Cover video published on YouTube website Jul. 28, 2016", published on Jul. 28, 2016 on Youtube.com by Agri-Cover, Inc., Jamestown ND, USA.

Agri-Cover, Inc., "Removal and Reinstall video published on YouTube website Oct. 5, 2016", published on Oct. 5, 2016 on Youtube.com by Agri-Cover, Inc., Jamestown ND, USA.

Agri-Cover, Inc., "Security video published on YouTube website Aug. 18, 2016", published on Aug. 18, 2016 on Youtube.com by Agri-Cover, Inc., Jamestown ND, USA.

Agri-Cover, Inc., "Strength video published on YouTube website Jun. 24, 2016", published on Jun. 24, 2016 on Youtube.com by Agri-Cover, Inc., Jamestown ND, USA.

* cited by examiner

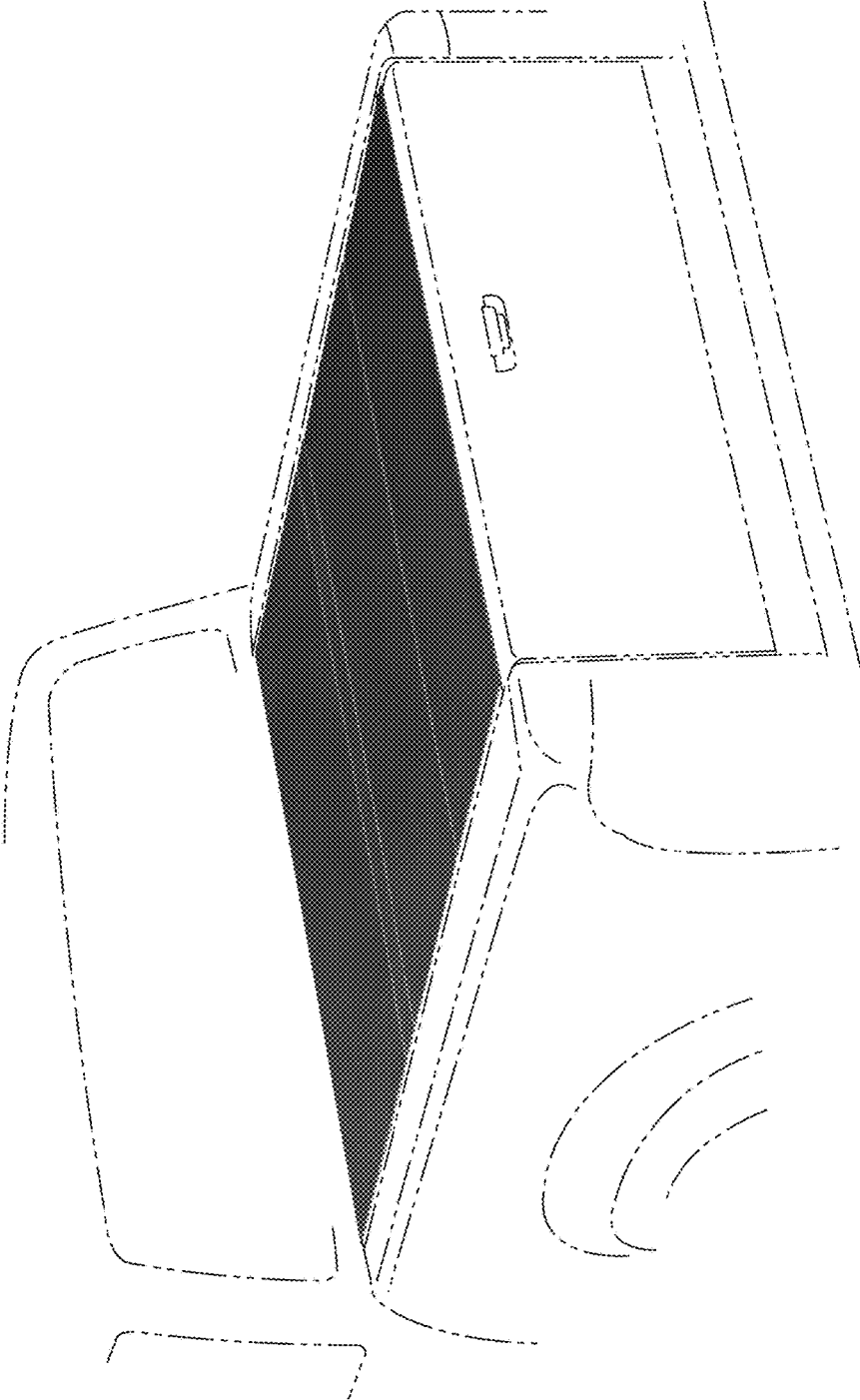


Fig. 1

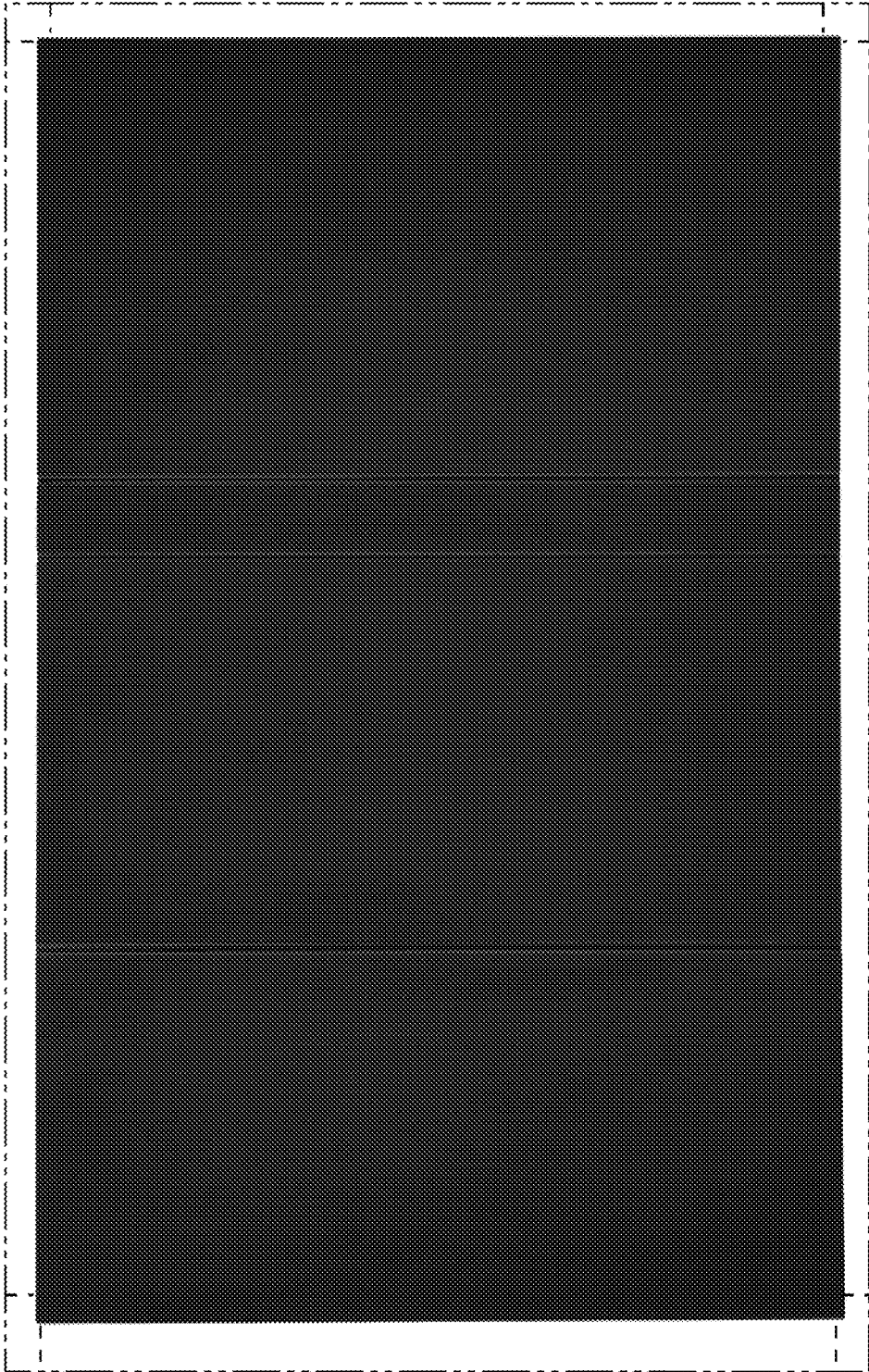


Fig. 2

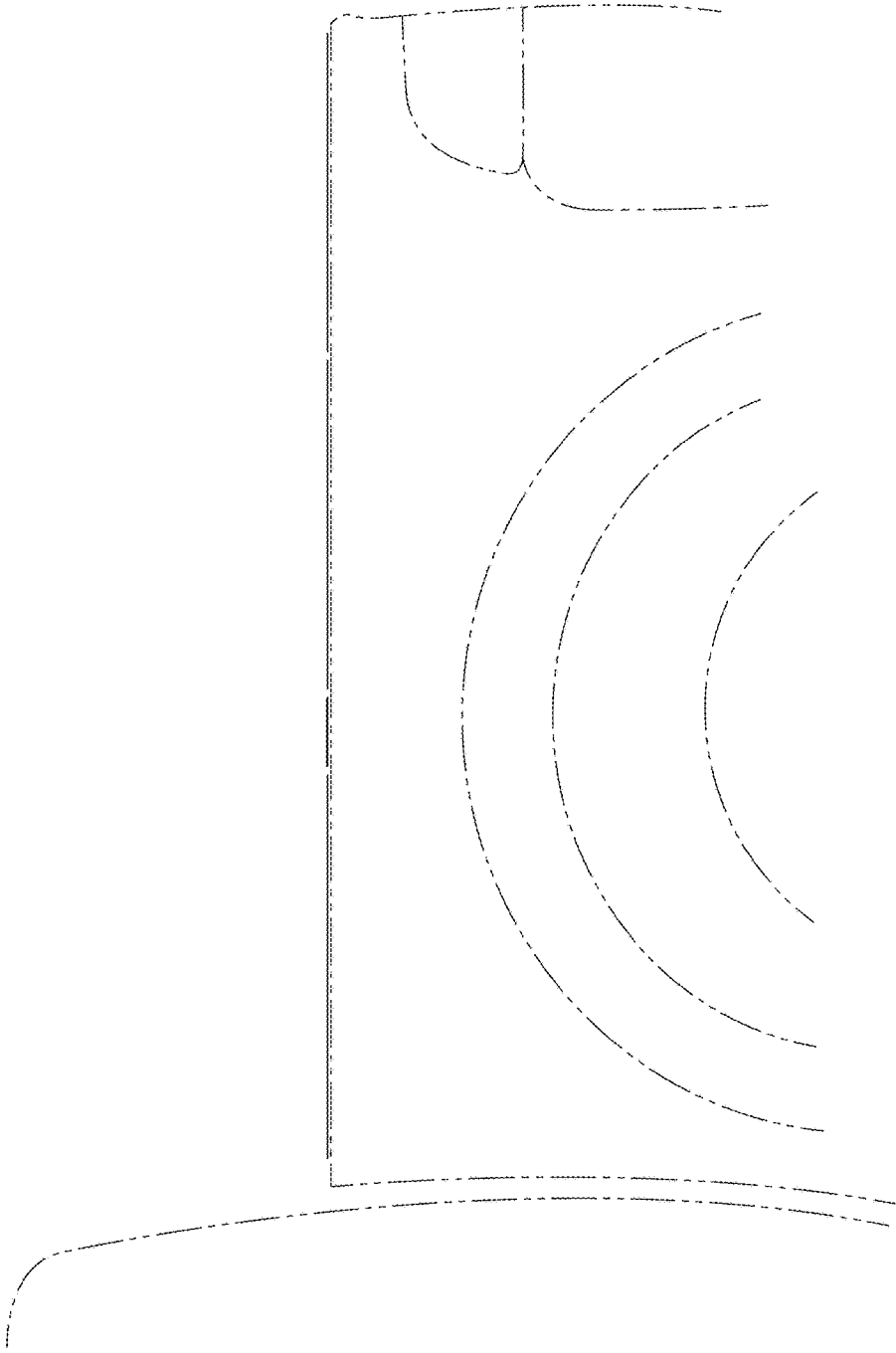


Fig. 3

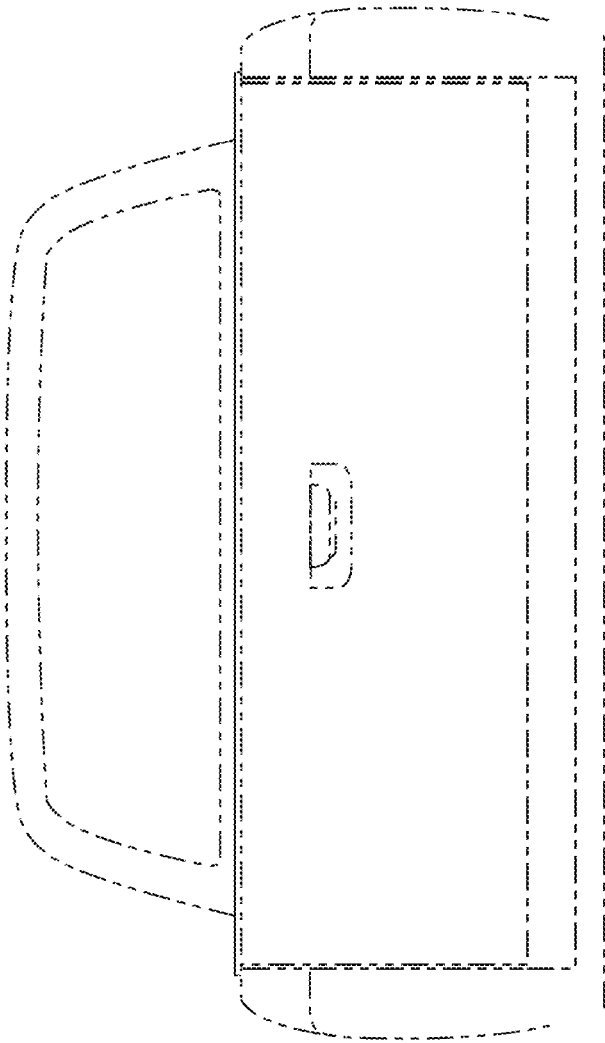


Fig. 4