



US00D756696S

(12) **United States Design Patent**
Murphy et al.

(10) **Patent No.:** **US D756,696 S**

(45) **Date of Patent:** **** May 24, 2016**

(54) **BEVERAGE MACHINE**

(71) Applicant: **Keurig Green Mountain, Inc.,**
Waterbury, VT (US)

(72) Inventors: **Tara J. Murphy**, Bradford, VT (US);
Thomas Fedorka, Billerica, MA (US);
Paul K. Metaxatos, Swampscott, MA
(US); **Steffen F. Koury**, Everett, MA
(US)

(73) Assignee: **Keurig Green Mountain, Inc.,**
Waterbury, VT (US)

(**) Term: **14 Years**

(21) Appl. No.: **29/506,762**

(22) Filed: **Oct. 20, 2014**

(51) **LOC (10) Cl.** **07-01**

(52) **U.S. Cl.**
USPC **D7/306; D7/311; D7/309**

(58) **Field of Classification Search**
USPC **D7/306-311, 305, 300; 99/279, 284,**
99/290, 280, 299, 307, 297
CPC **A47J 31/44; A47J 31/00; A47J 31/46;**
A47J 31/10

See application file for complete search history.

(56) **References Cited**

U.S. PATENT DOCUMENTS

D408,679	S	4/1999	Potts et al.	
D513,572	S *	1/2006	Schaffeld	D7/309
8,091,470	B2 *	1/2012	De'Longhi	A47J 31/0573
				99/279
8,210,095	B2 *	7/2012	Brezovnik	A47J 31/369

				99/279
D674,232	S *	1/2013	Lavy	D7/309
D683,174	S *	5/2013	Regamey	D7/306
D720,567	S	1/2015	Cauwood et al.	
D721,247	S *	1/2015	Manly	D7/306
D721,911	S	2/2015	Cauwood et al.	
D722,463	S *	2/2015	Manly	D7/306
D723,317	S *	3/2015	Manly	D7/306
D728,987	S *	5/2015	Cahen	D7/309
D741,101	S *	10/2015	Luippold	D7/306

OTHER PUBLICATIONS

U.S. Appl. No. 29/506,764, filed Oct. 20, 2014, Murphy.

* cited by examiner

Primary Examiner — Marianne Pandozzi

(74) *Attorney, Agent, or Firm* — Wolf, Greenfield & Sacks, P.C.

(57) **CLAIM**

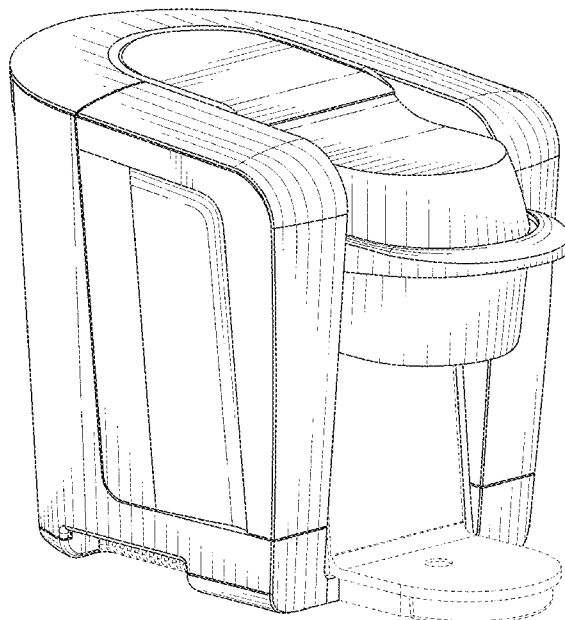
The ornamental design for a beverage machine, as shown and described.

DESCRIPTION

FIG. 1 is a top, front, left perspective view of a beverage machine showing our new design; FIG. 2 is a top, front, right perspective view thereof; FIG. 3 is a front elevational view thereof; FIG. 4 is a rear elevational view thereof; FIG. 5 is a left side elevational view thereof; FIG. 6 is a right side elevational view thereof; FIG. 7 is a top plan view thereof; and, FIG. 8 is a bottom plan view thereof.

The broken lines illustrate portions of the beverage machine that form no part of the claimed design.

1 Claim, 8 Drawing Sheets



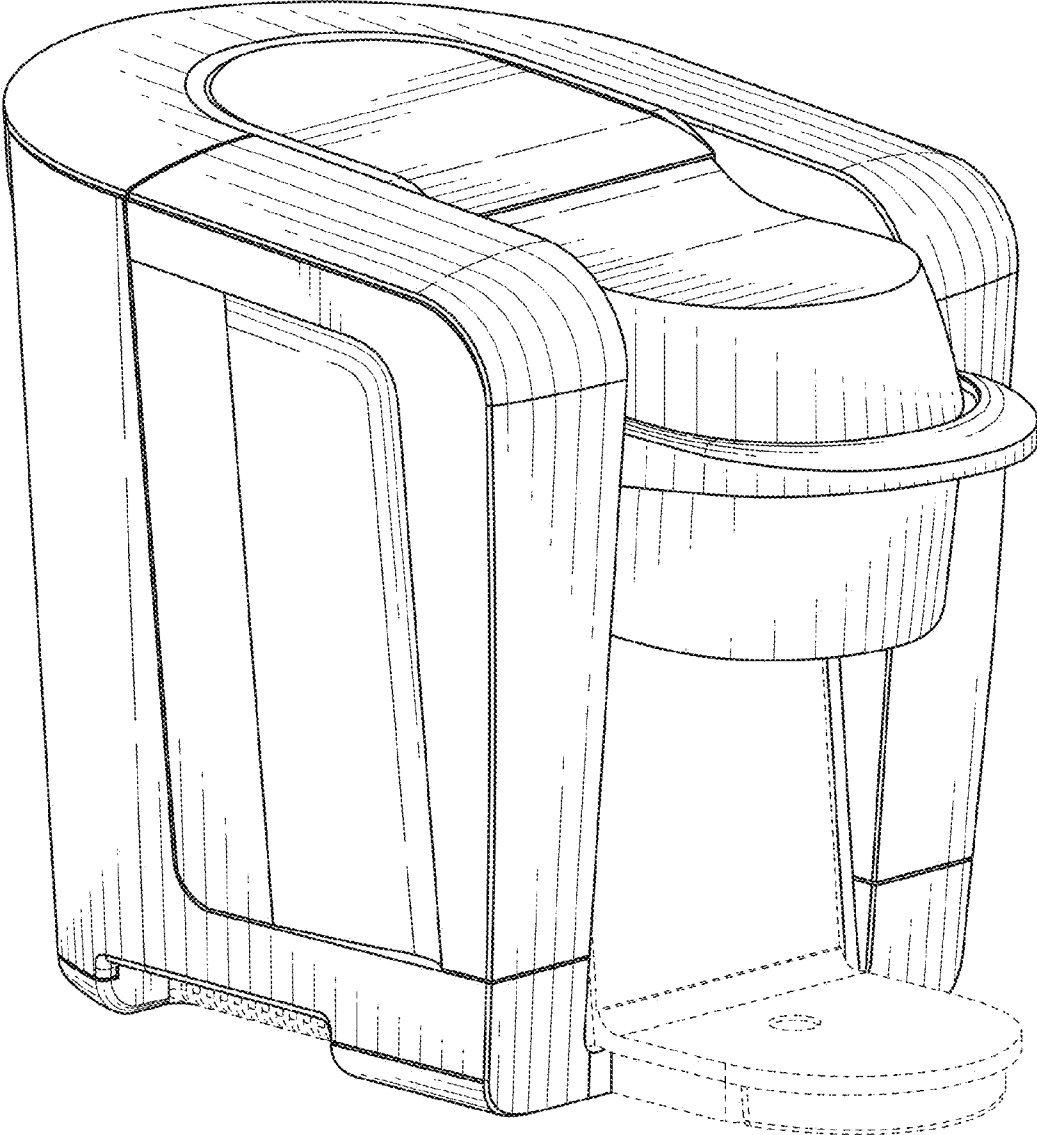


FIG. 1

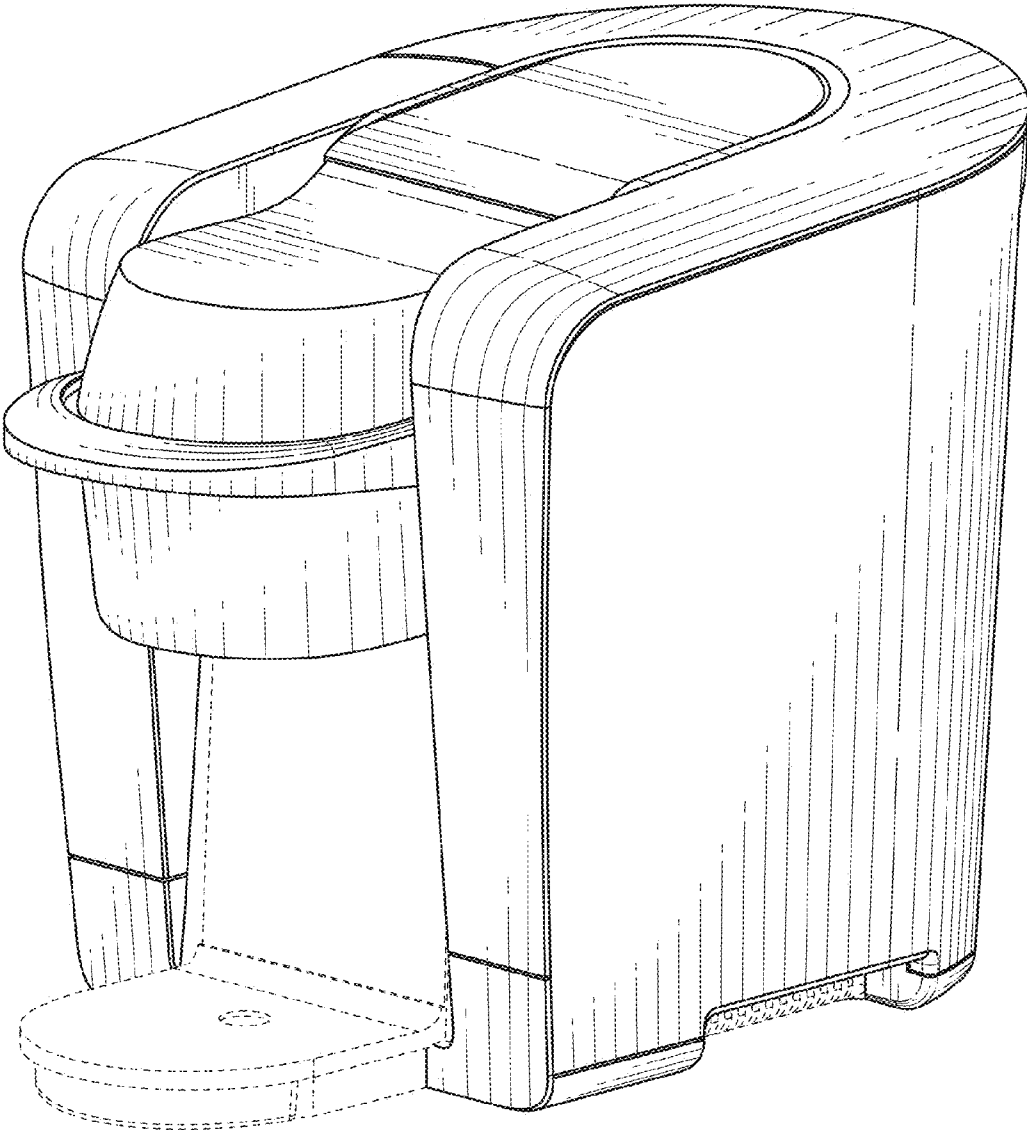


FIG. 2

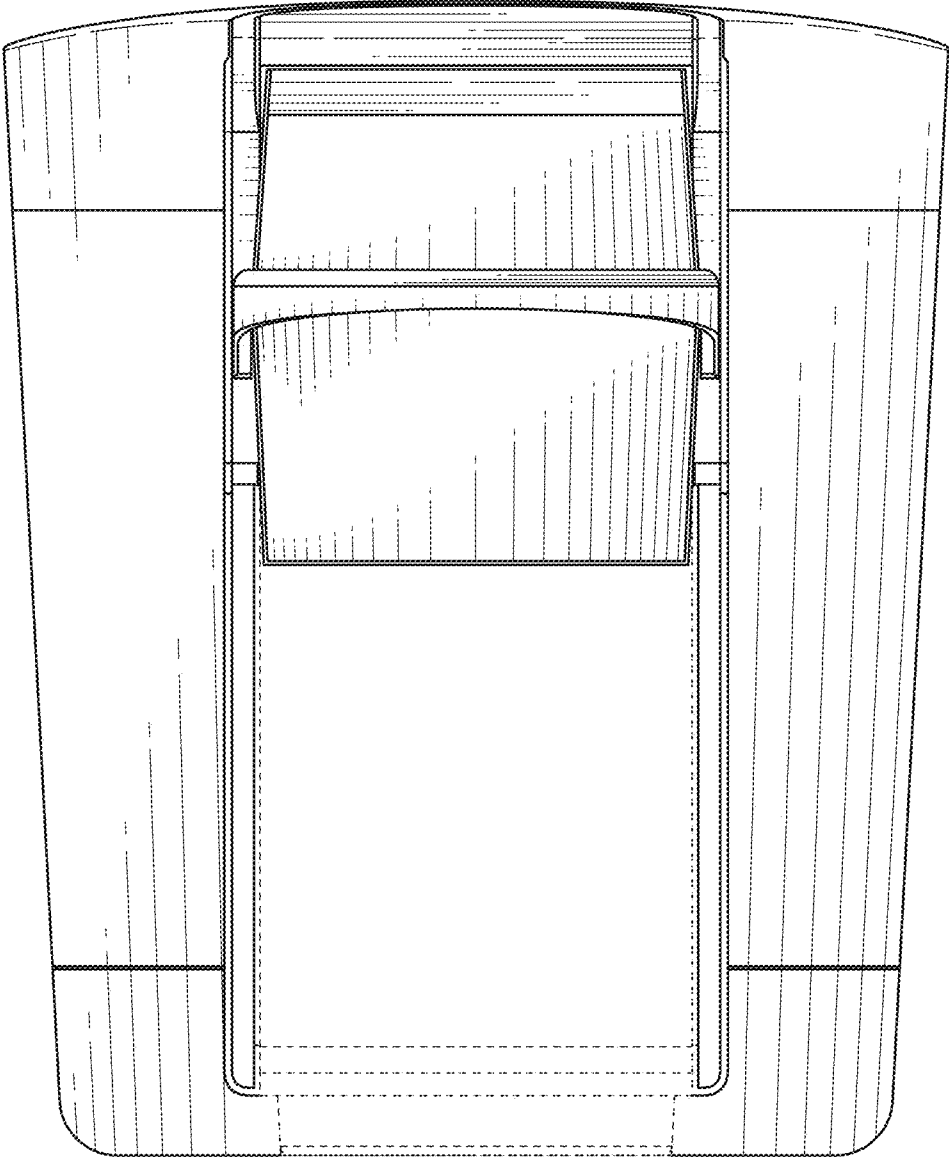


FIG. 3

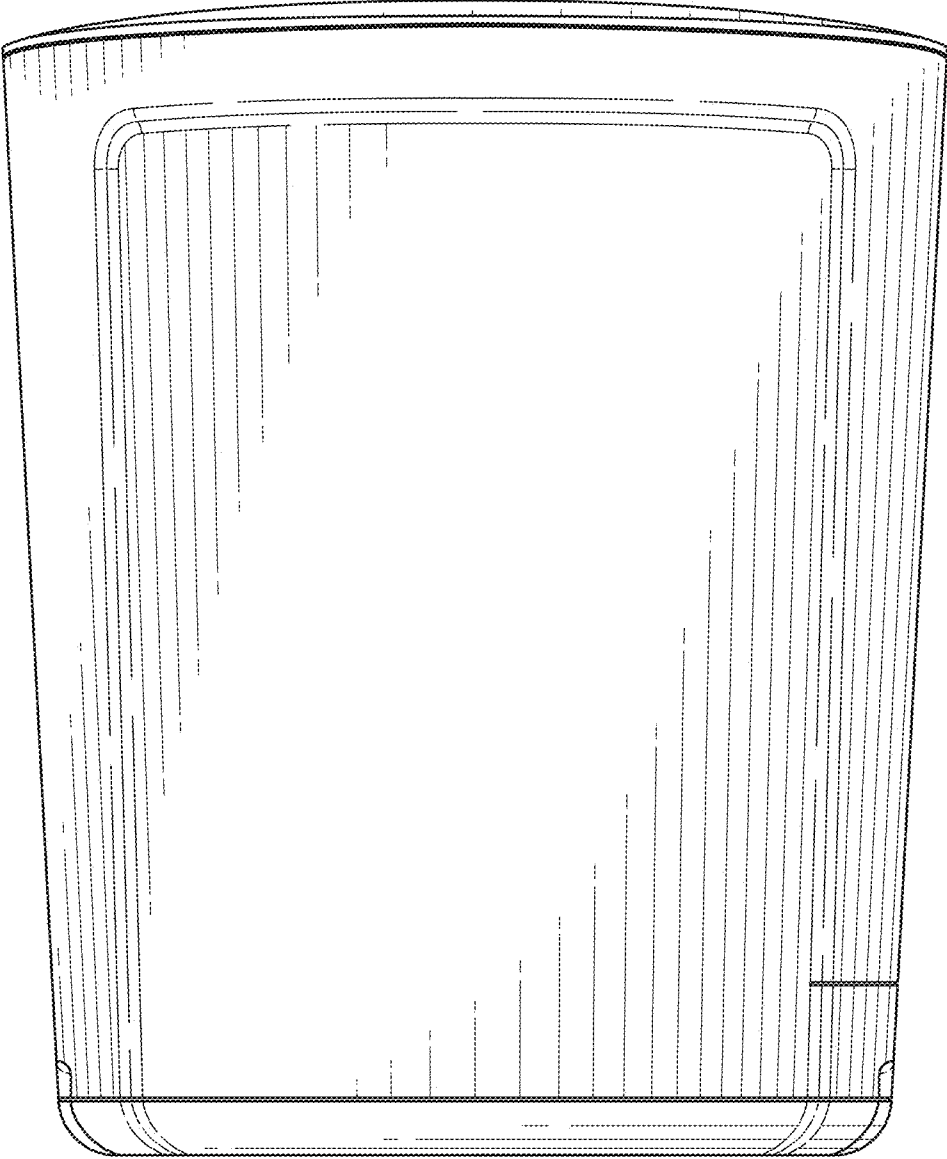


FIG. 4

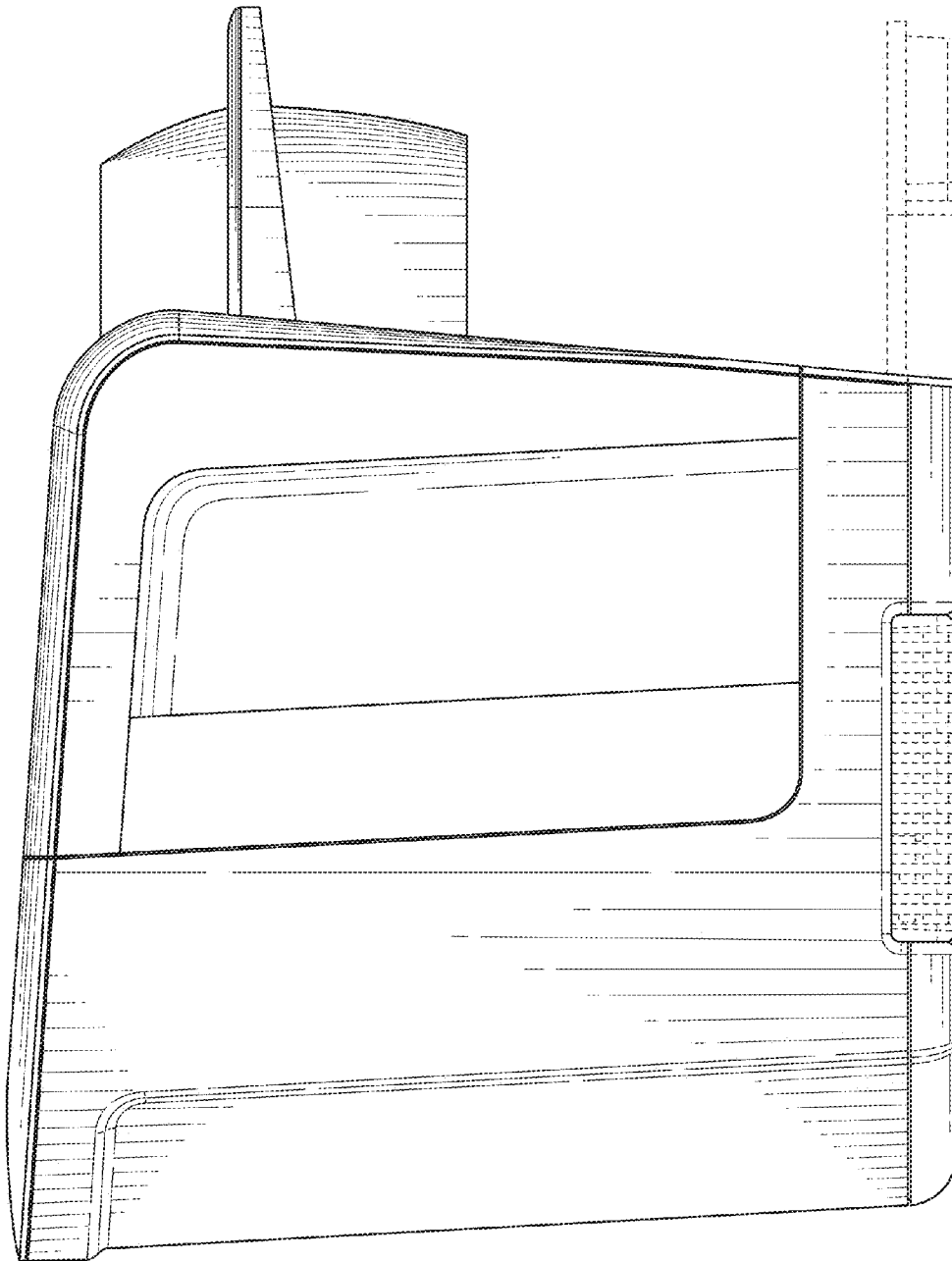


FIG. 5

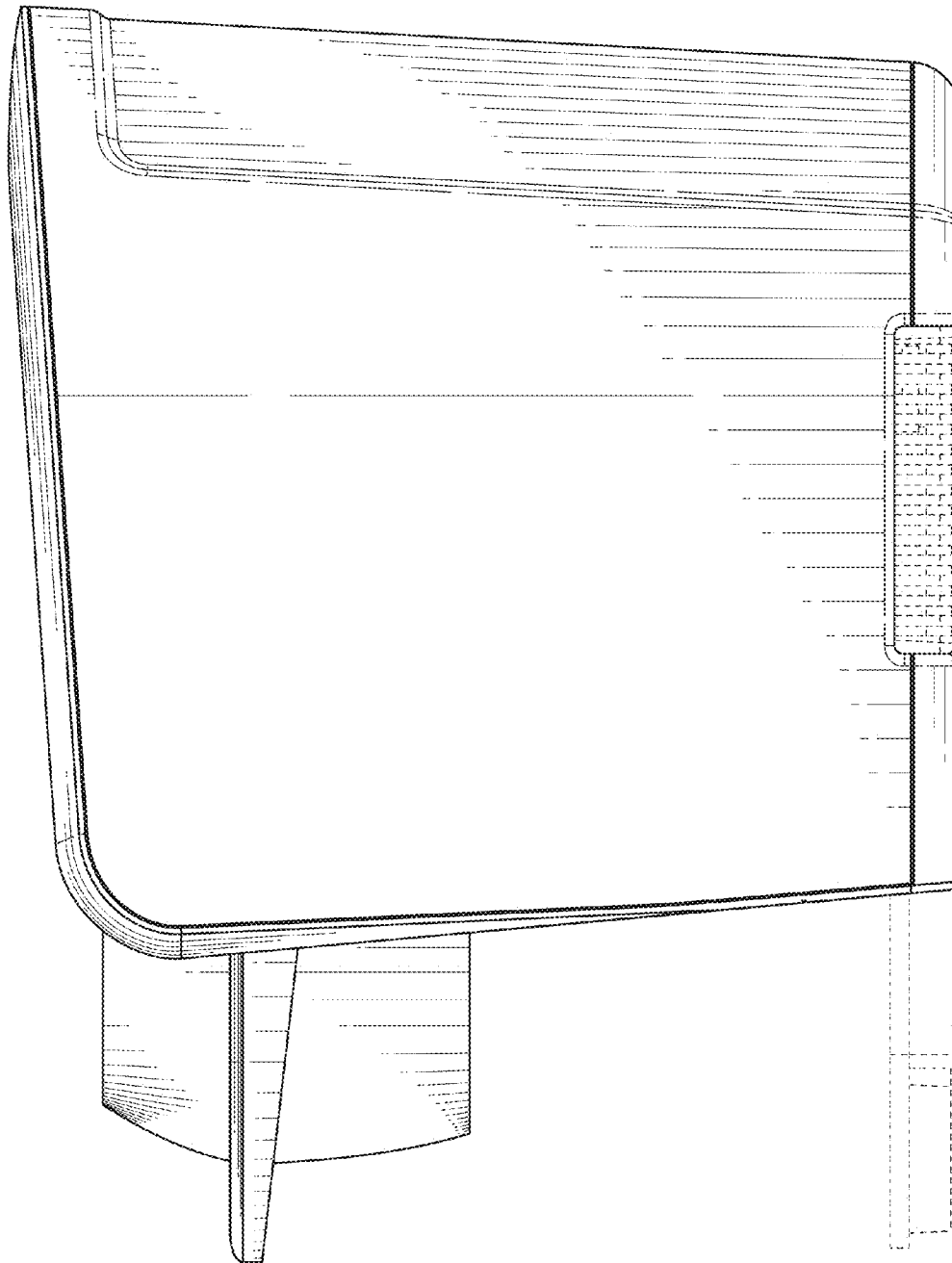


FIG. 6

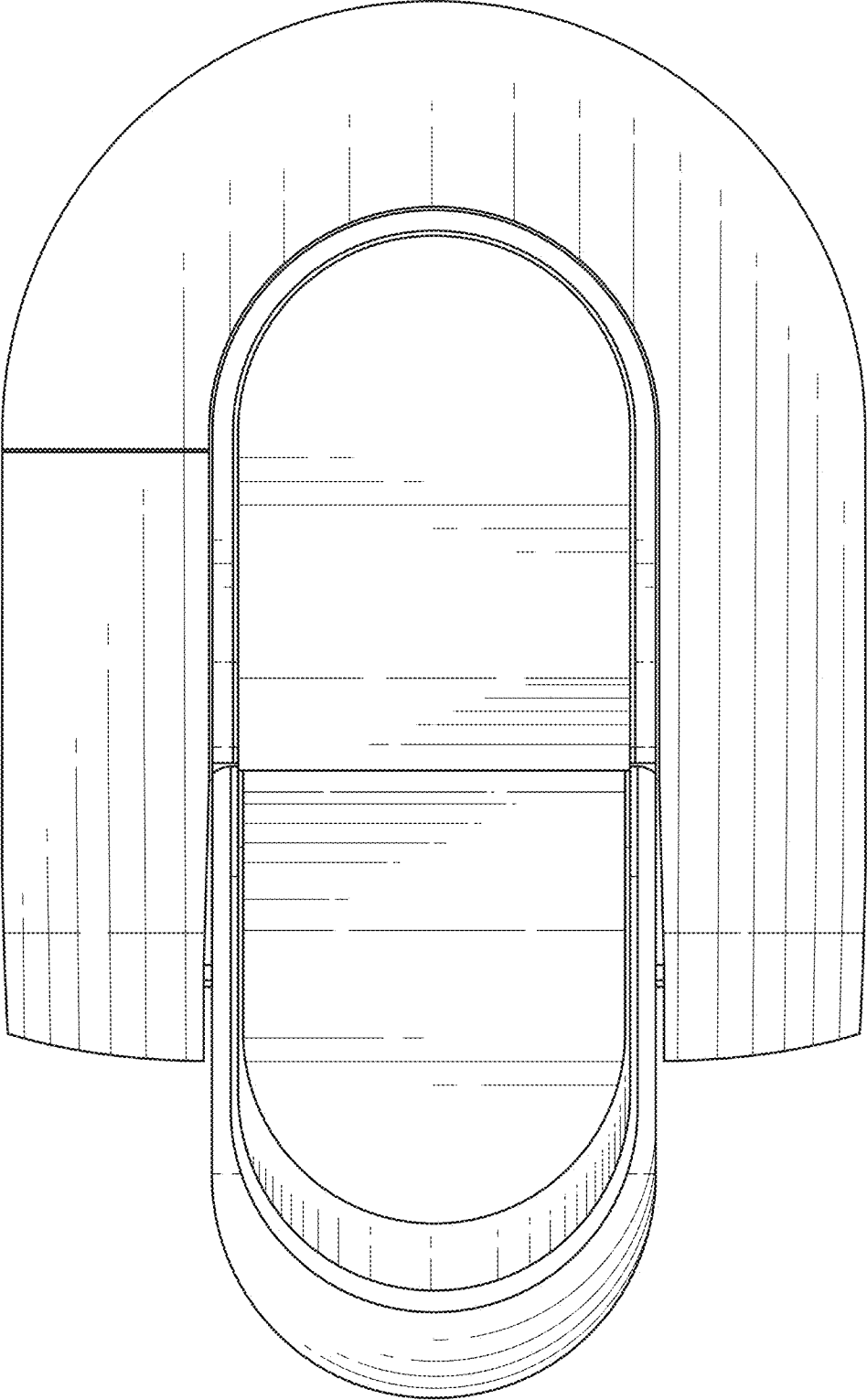


FIG. 7

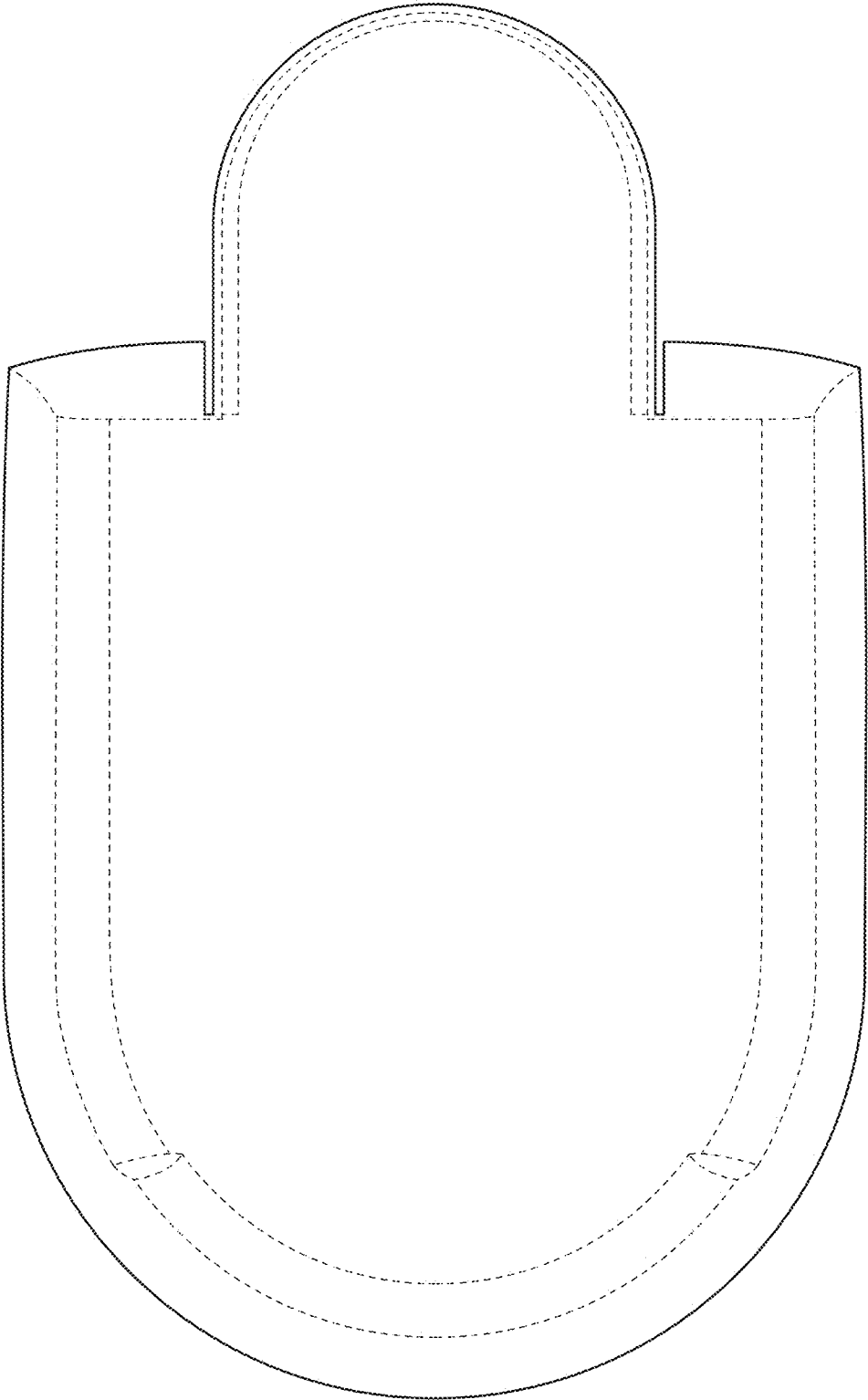


FIG. 8