

(19) World Intellectual Property Organization
International Bureau



(43) International Publication Date
27 March 2008 (27.03.2008)

PCT

(10) International Publication Number
WO 2008/035298 A3

- (51) International Patent Classification:
F26B 21/00 (2006.01) F26B 21/08 (2006.01)
- (21) International Application Number:
PCT/IB2007/053800
- (22) International Filing Date:
19 September 2007 (19.09.2007)
- (25) Filing Language: English
- (26) Publication Language: English
- (30) Priority Data:
BA 2006 00246
19 September 2006 (19.09.2006) DK
- (71) Applicant (for all designated States except US): P.S.E. ApS [DK/DK]; Thorsøhøj 18, DK-8600 Silkeborg (DK).
- (72) Inventor; and
- (75) Inventor/Applicant (for US only): JENSEN, Peter Vemmelund [DK/DK]; Thorsøhøj 18, DK-8600 Silkeborg (DK).
- (74) Agent: HOLME PATENT A/S; Vesterbrogade 20, DK-1620 Copenhagen V (DK).
- (81) Designated States (unless otherwise indicated, for every kind of national protection available): AE, AG, AL, AM, AT, AU, AZ, BA, BB, BG, BH, BR, BW, BY, BZ, CA, CH, CN, CO, CR, CU, CZ, DE, DK, DM, DO, DZ, EC, EE, EG, ES, FI, GB, GD, GE, GH, GM, GT, HN, HR, HU, ID, IL, IN, IS, JP, KE, KG, KM, KN, KP, KR, KZ, LA, LC, LK, LR, LS, LT, LU, LY, MA, MD, ME, MG, MK, MN, MW, MX, MY, MZ, NA, NG, NI, NO, NZ, OM, PG, PH, PL, PT, RO, RS, RU, SC, SD, SE, SG, SK, SL, SM, SV, SY, TJ, TM, TN, TR, TT, TZ, UA, UG, US, UZ, VC, VN, ZA, ZM, ZW.
- (84) Designated States (unless otherwise indicated, for every kind of regional protection available): ARIPO (BW, GH, GM, KE, LS, MW, MZ, NA, SD, SL, SZ, TZ, UG, ZM, ZW), Eurasian (AM, AZ, BY, KG, KZ, MD, RU, TJ, TM), European (AT, BE, BG, CH, CY, CZ, DE, DK, EE, ES, FI, FR, GB, GR, HU, IE, IS, IT, LT, LU, LV, MC, MT, NL, PL, PT, RO, SE, SI, SK, TR), OAPI (BF, BJ, CF, CG, CI, CM, GA, GN, GQ, GW, ML, MR, NE, SN, TD, TG).

[Continued on next page]

(54) Title: A DRYING APPARATUS FOR DRYING A HOLLOW OBJECT AND A METHOD OF USING THE APPARATUS

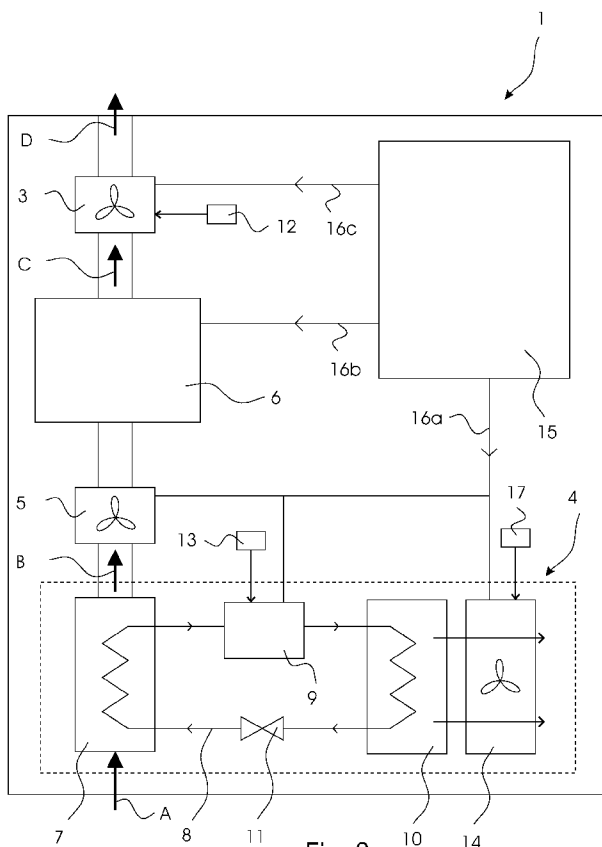


Fig 3

(57) Abstract: The drying apparatus (1) comprises a first means (3) for transporting an intake airflow (A) through the apparatus (1) for drying of the hollow object, a refrigerating unit (4) for initial removal of fluid from the intake airflow (A), thereby defining a first process airflow (B), and a dehumidifier (6) for further removal of fluid from the first process airflow (B) to produce a second process airflow (C) having a reduced fluid content, where the drying apparatus (1) further comprises a first frequency transformer (12) for regulating the amount of intake airflow (A), and a second frequency transformer (13) for regulating the performance of the refrigerating unit (4). The apparatus (1) is very efficient for drying hollow objects with different dimensions and with different drying needs.

WO 2008/035298 A3



Declarations under Rule 4.17:

- *as to the identity of the inventor (Rule 4.17(i))*
- *as to applicant's entitlement to apply for and be granted a patent (Rule 4.17(ii))*
- *as to the applicant's entitlement to claim the priority of the earlier application (Rule 4.17(iii))*
- *of inventorship (Rule 4.17(iv))*

— *before the expiration of the time limit for amending the claims and to be republished in the event of receipt of amendments*

(88) Date of publication of the international search report:
29 January 2009

Published:

- *with international search report*

INTERNATIONAL SEARCH REPORT

International application No
PCT/IB2007/053800

A. CLASSIFICATION OF SUBJECT MATTER
INV. F26B21/00 F26B21/08

According to International Patent Classification (IPC) or to both national classification and IPC

B. FIELDS SEARCHED

Minimum documentation searched (classification system followed by classification symbols)
F26B

Documentation searched other than minimum documentation to the extent that such documents are included in the fields searched

Electronic data base consulted during the international search (name of data base and, where practical, search terms used)

EPO-Internal, WPI Data

C. DOCUMENTS CONSIDERED TO BE RELEVANT

Category*	Citation of document, with indication, where appropriate, of the relevant passages	Relevant to claim No.
X	US 2005/060315 A1 (SANIN ALEKSEY [US]) 17 March 2005 (2005-03-17)	1-5, 7-11, 13, 15, 16, 18, 20, 22, 24
Y	figures 1, 13 paragraphs [0003], [0011], [0015], [0017], [0035], [0037] - [0039], [0041], [0044] ----- -/--	12, 14, 17, 19, 21, 23, 25

Further documents are listed in the continuation of Box C.

See patent family annex.

* Special categories of cited documents :

- *A* document defining the general state of the art which is not considered to be of particular relevance
- *E* earlier document but published on or after the international filing date
- *L* document which may throw doubts on priority claim(s) or which is cited to establish the publication date of another citation or other special reason (as specified)
- *O* document referring to an oral disclosure, use, exhibition or other means
- *P* document published prior to the international filing date but later than the priority date claimed

- *T* later document published after the international filing date or priority date and not in conflict with the application but cited to understand the principle or theory underlying the invention
- *X* document of particular relevance; the claimed invention cannot be considered novel or cannot be considered to involve an inventive step when the document is taken alone
- *Y* document of particular relevance; the claimed invention cannot be considered to involve an inventive step when the document is combined with one or more other such documents, such combination being obvious to a person skilled in the art.
- * & * document member of the same patent family

Date of the actual completion of the international search

20 November 2008

Date of mailing of the international search report

02/12/2008

Name and mailing address of the ISA/
European Patent Office, P.B. 5818 Patentlaan 2
NL - 2280 HV Rijswijk
Tel. (+31-70) 340-2040,
Fax: (+31-70) 340-3016

Authorized officer

Hauck, Gunther

INTERNATIONAL SEARCH REPORT

International application No

PCT/IB2007/053800

C(Continuation). DOCUMENTS CONSIDERED TO BE RELEVANT		
Category*	Citation of document, with indication, where appropriate, of the relevant passages	Relevant to claim No.
Y	CARGOCAIRE: "L'EVENEMENT SUPRACONDUCTIVITE" REVUE PRATIQUE DU FROID ET DU CONDITIONNEMENT D'AIR, PYC EDITION SA., PARIS, FR, vol. 40, no. 646, 17 July 1987 (1987-07-17), page 49, XP001060370 Paris, France ISSN: 0370-6699	12
A	figure 1	6,7,14, 20
A	----- WO 00/36344 A (UNIV SINGAPORE [SG]; CHOU SIAW KIANG [SG]; HAWLADER MOHAMMAD NURUL ALA) 22 June 2000 (2000-06-22) page 1, line 4 - line 7 page 14, line 7 - line 10	1,25
Y	----- DE 93 16 950 U1 (MUNTERS GMBH [DE]) 5 January 1994 (1994-01-05) page 1, line 1 - line 3 figures 1,2 page 3, line 11 - line 23	14
A	page 4, line 23 - page 5, line 7	12
Y	----- EP 0 626 244 A (SOMOS GMBH [DE]) 30 November 1994 (1994-11-30) figure 4 column 9, line 47 - column 10, line 33	17
A	column 9, line 43 - line 46	20
Y	----- US 2006/086120 A1 (KASHIRAJIMA YASUHIRO [JP] ET AL) 27 April 2006 (2006-04-27)	19
A	paragraphs [0002], [0030], [0031], [0033], [0036], [0057] figure 1	1,2,9, 14,15, 17,18
Y	----- WO 96/21834 A (CORROVENTA AVFUKTNING AB [SE]) 18 July 1996 (1996-07-18)	21,25
A	figures 1-3 page 1, line 6 - line 24 page 9, line 12 - page 10, line 30	12,19,24
Y	----- DE 20 2004 018635 U1 (WEIGEL KLAUS [DE]; BIERBAS VOLKHARD [DE]; ZETTL REINHARD [DE]; WEIGEL) 24 March 2005 (2005-03-24)	23
A	figures 1-3 claim 1	24
A	----- US 6 094 835 A (CROMER CHARLES J [US]) 1 August 2000 (2000-08-01) figure 3A column 1, line 4 - line 9	1

-/--

INTERNATIONAL SEARCH REPORT

International application No

PCT/IB2007/053800

C(Continuation). DOCUMENTS CONSIDERED TO BE RELEVANT

Category*	Citation of document, with indication, where appropriate, of the relevant passages	Relevant to claim No.
A	US 4 474 021 A (HARBAND JOEL [IL]) 2 October 1984 (1984-10-02) figure 1 column 1, line 5 - line 8 column 4, line 4 - line 14	1, 15, 16, 18, 19
A	US 4 971 611 A (NOGUCHI HARUO [JP]) 20 November 1990 (1990-11-20) column 1, line 7 - line 11 column 1, line 56 - line 59 column 2, line 22 - line 23	1, 14, 16

INTERNATIONAL SEARCH REPORT

Information on patent family members

International application No

PCT/IB2007/053800

Patent document cited in search report	Publication date	Patent family member(s)	Publication date
US 2005060315 A1	17-03-2005	WO 2005029234 A2	31-03-2005
WO 0036344 A	22-06-2000	AU 3095800 A	03-07-2000
		CN 1369050 A	11-09-2002
		ID 30058 A	01-11-2001
		SG 83158 A1	18-09-2001
DE 9316950 U1	05-01-1994	NONE	
EP 0626244 A	30-11-1994	AT 208694 T	15-11-2001
		BR 9402102 A	20-12-1994
		CA 2124228 A1	29-11-1994
		CN 1098496 A	08-02-1995
		DE 4317768 A1	01-12-1994
		DK 626244 T3	25-02-2002
		JP 2868697 B2	10-03-1999
		JP 7163874 A	27-06-1995
		US 5566468 A	22-10-1996
US 2006086120 A1	27-04-2006	CN 1768890 A	10-05-2006
		JP 2006125670 A	18-05-2006
		SG 122014 A1	26-05-2006
WO 9621834 A	18-07-1996	AT 184100 T	15-09-1999
		DE 69511895 D1	07-10-1999
		DE 69511895 T2	30-03-2000
		EP 0801720 A1	22-10-1997
		FI 972882 A	07-07-1997
		NO 973175 A	09-07-1997
		SE 502635 C2	27-11-1995
		SE 9500069 A	27-11-1995
DE 202004018635 U1	24-03-2005	NONE	
US 6094835 A	01-08-2000	NONE	
US 4474021 A	02-10-1984	IL 64915 A	30-04-1985
US 4971611 A	20-11-1990	DE 68928556 D1	26-02-1998
		DE 68928556 T2	30-04-1998
		EP 0368435 A2	16-05-1990