



US00D545684S

(12) **United States Design Patent**
DeMaso et al.

(10) **Patent No.:** **US D545,684 S**

(45) **Date of Patent:** **** Jul. 3, 2007**

(54) **BOTTLE**

(75) Inventors: **Vincent N. DeMaso**, Oakland, CA
(US); **W. Keith Mainquist**, Oakland,
CA (US); **Christian Diaz**, Buenos Aires
(AR); **John F. Breznock**, Pleasanton,
CA (US)

(73) Assignee: **The Clorox Company**, Oakland, CA
(US)

(**) Term: **14 Years**

(21) Appl. No.: **29/224,030**

(22) Filed: **Feb. 23, 2005**

(51) **LOC (8) Cl.** **09-01**

(52) **U.S. Cl.** **D9/557**

(58) **Field of Classification Search** D9/502,
D9/516, 530, 537-539, 549, 551-552, 556-558;
215/379, 381-385, 387; 220/675

See application file for complete search history.

(56) **References Cited**

U.S. PATENT DOCUMENTS

D382,806 S * 8/1997 Wilson et al. D9/502
D410,197 S * 5/1999 Herrin et al. D9/502

D414,700 S * 10/1999 Zogg D9/502
D449,533 S * 10/2001 Helps et al. D9/502
D464,569 S * 10/2002 Moore et al. D9/502
D481,317 S * 10/2003 Corker et al. D9/502
D504,069 S * 4/2005 Gross et al. D9/538

* cited by examiner

Primary Examiner—Ian Simmons

Assistant Examiner—Dana Sipos

(74) *Attorney, Agent, or Firm*—David Peterson

(57) **CLAIM**

The ornamental design for a bottle, as shown and described.

DESCRIPTION

FIG. 1 is a perspective view of a bottle showing our new design;

FIG. 2 is a front view thereof;

FIG. 3 is a rear view thereof;

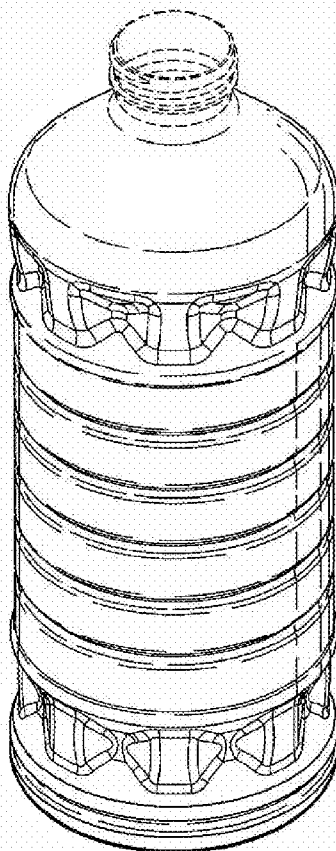
FIG. 4 is a right side view thereof;

FIG. 5 is a left side view thereof; and,

FIG. 6 is a top plan view thereof.

The broken line showing of a bottle threads is for illustrative purposes only and forms no part of the claimed design.

1 Claim, 3 Drawing Sheets



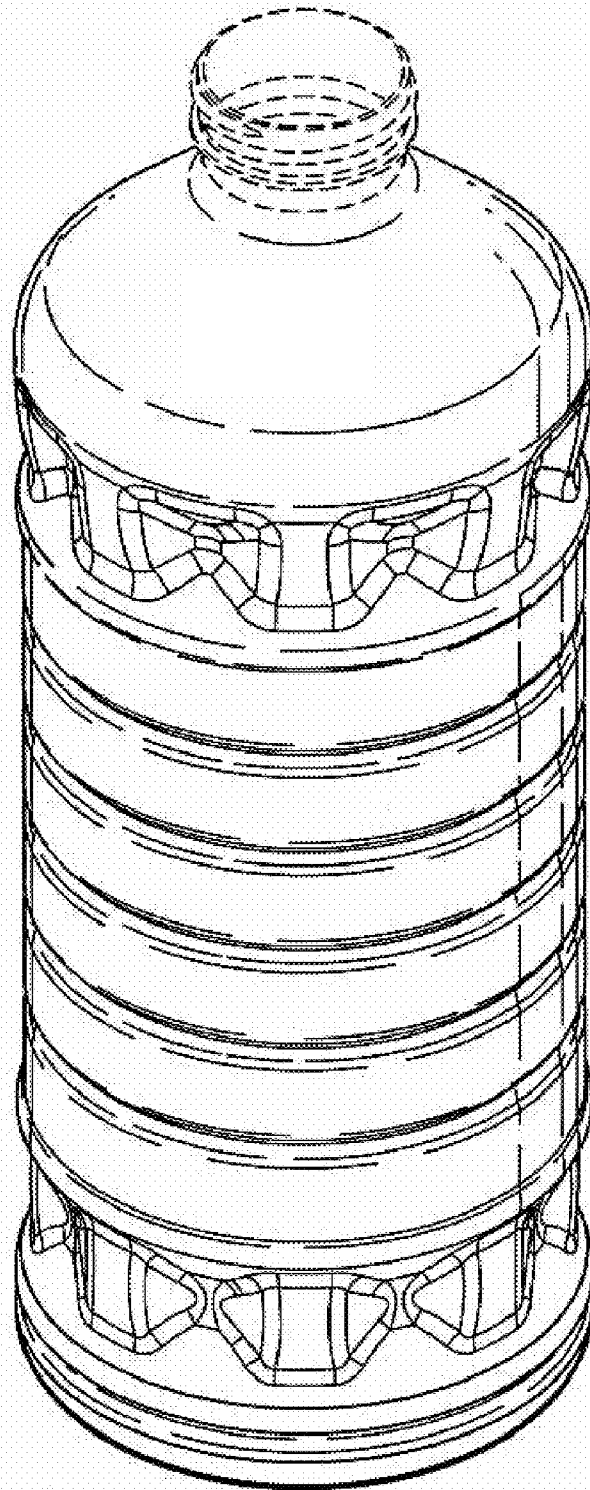


FIG. - 1

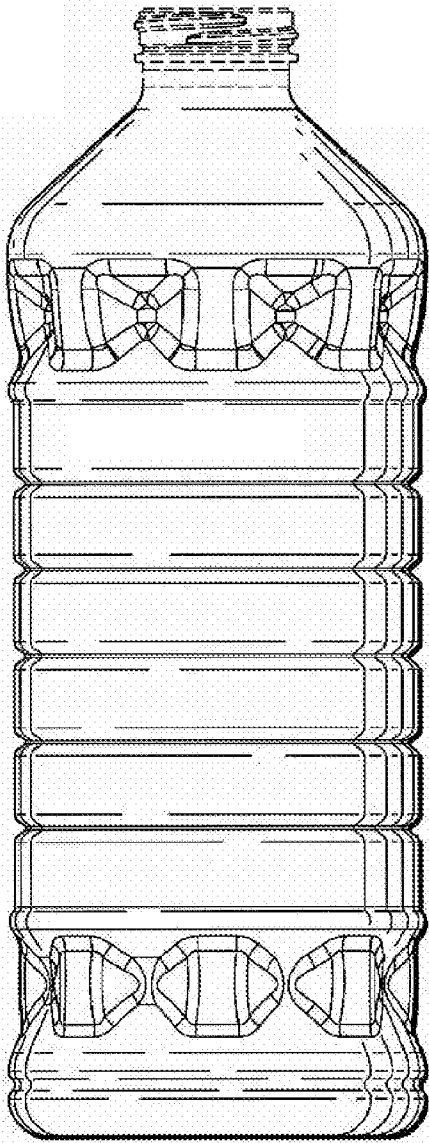


FIG. -2

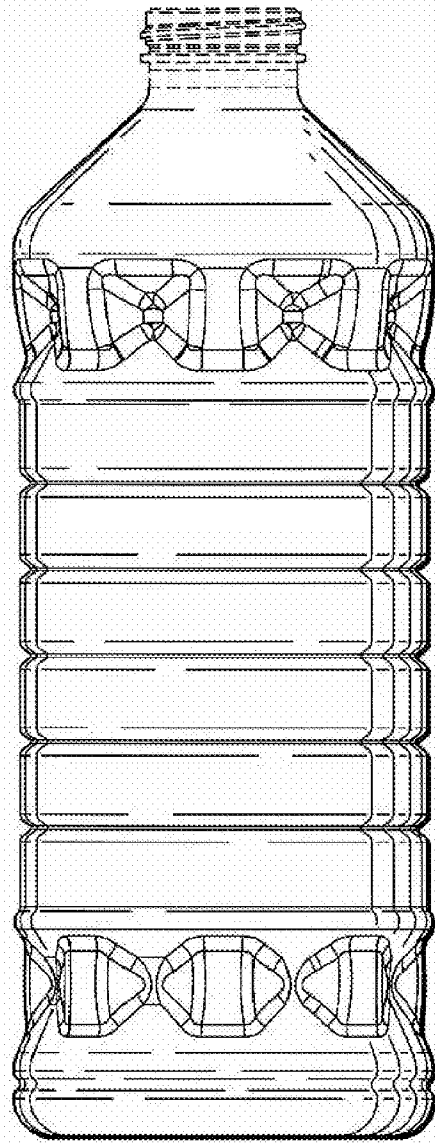


FIG. -3

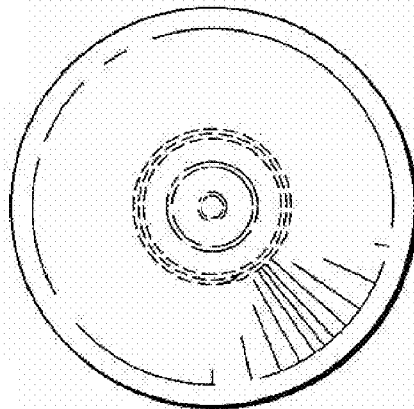


FIG. -6

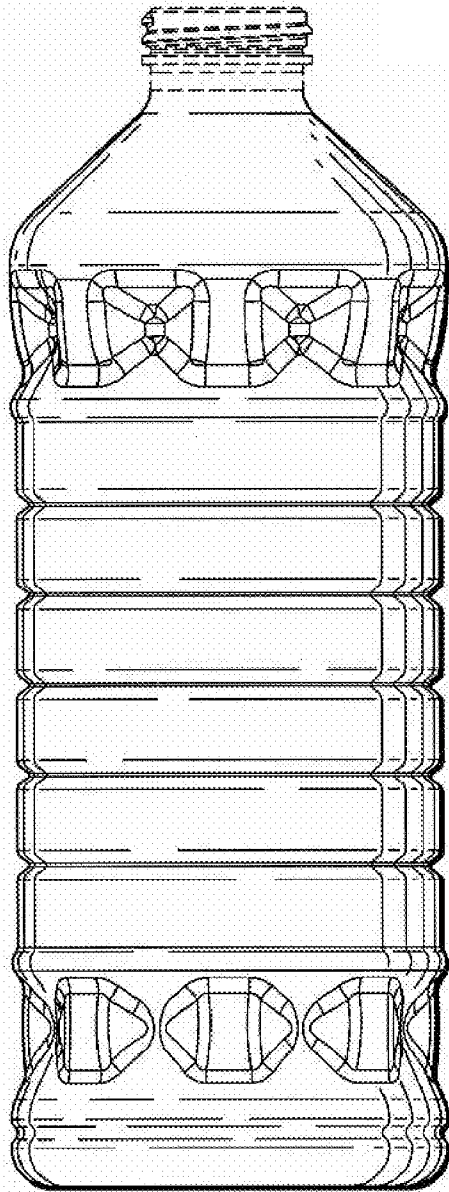


FIG. - 4

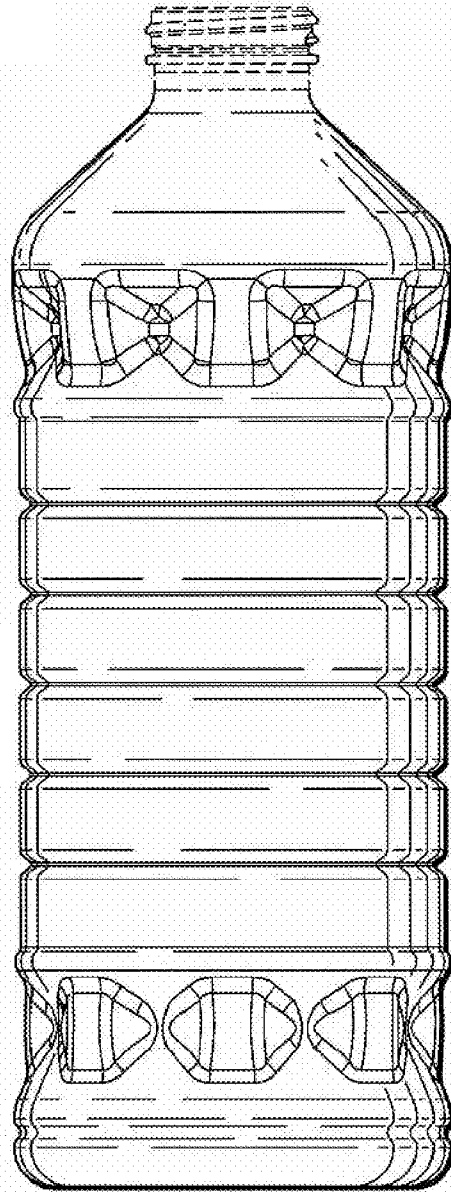


FIG. - 5