



US00D332011S

United States Patent [19]

[11] **Patent Number: Des. 332,011**

Fahnstrom et al.

[45] **Date of Patent: ** Dec. 29, 1992**

[54] **STOOL**

D. 274,958 8/1984 Aronowitz et al. D6/360
D. 275,242 8/1984 Stephens D6/360

[75] **Inventors:** Dale Fahnstrom, Chicago, Ill.;
Michael McCoy, Bloomfield Hills,
Mich.; Carl G. Magnusson, New
York, N.Y.

OTHER PUBLICATIONS

Chromcraft, P.T-3 (tables & Stools), stool shown.

[73] **Assignee:** Westinghouse Electric Corp.,
Pittsburgh, Pa.

Primary Examiner—Alan P. Douglas
Assistant Examiner—Gary D. Watson
Attorney, Agent, or Firm—B. R. Studebaker

[**] **Term:** 14 Years

[57] CLAIM

[21] **Appl. No.:** 463,804

The ornamental design for a stool, as shown and described.

[22] **Filed:** Jan. 11, 1990

DESCRIPTION

[52] **U.S. Cl. D6/360; D6/366**

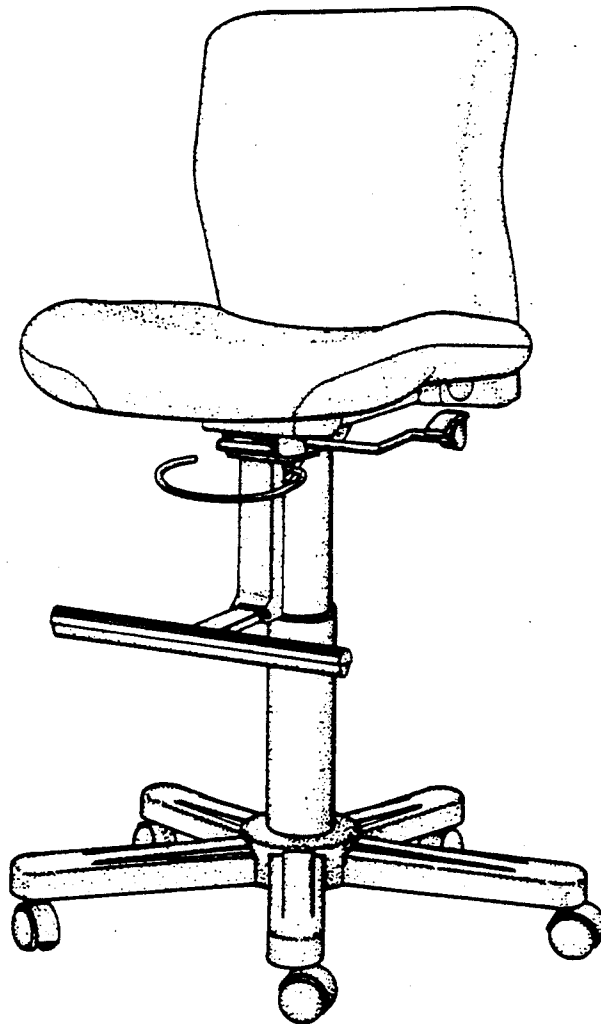
[58] **Field of Search D6/334, 349, 353, 360,
D6/364, 365, 366, 367, 374, 500, 501, 502**

FIG. 1 is a right-front perspective view of a stool showing our new design;
FIG. 2 is a front elevational view;
FIG. 3 is a right side elevational view;
FIG. 4 is a rear elevational view;
FIG. 5 is a left side elevational view;
FIG. 6 is a top plan view; and,
FIG. 7 is a bottom plan view thereof.

[56] References Cited

U.S. PATENT DOCUMENTS

D. 206,323 11/1966 Kasparian D6/360 X
D. 266,803 11/1982 Fear D6/366



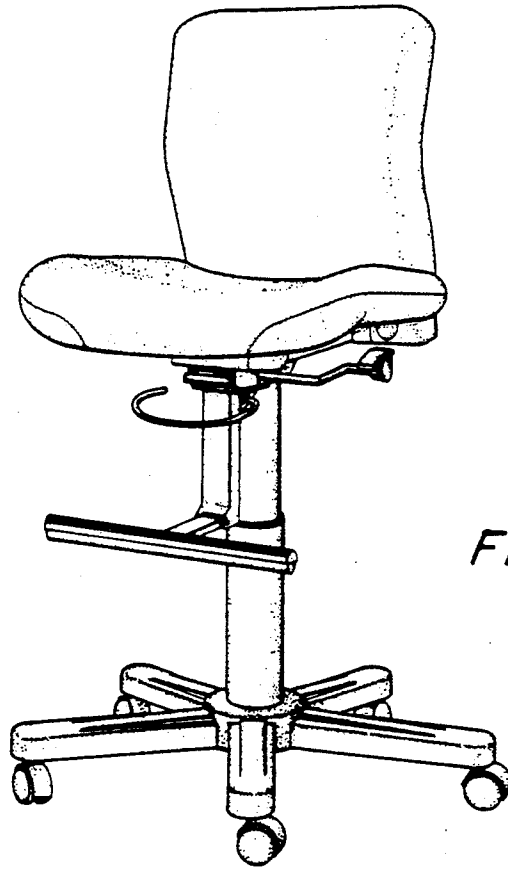


FIG. 1

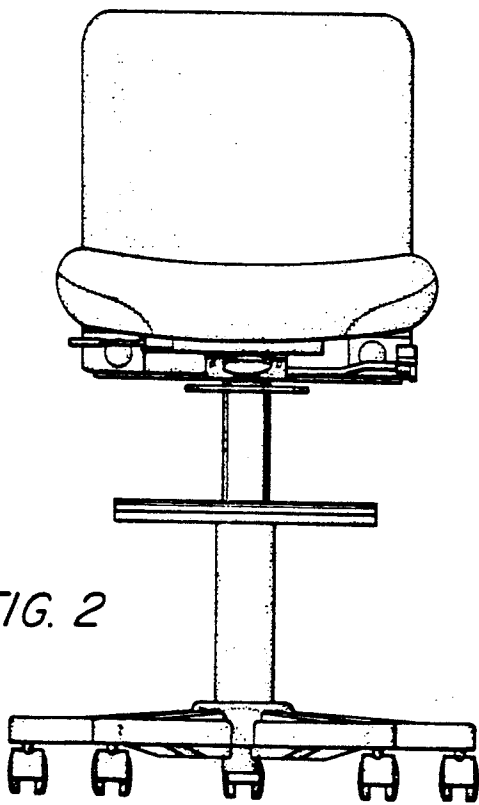


FIG. 2

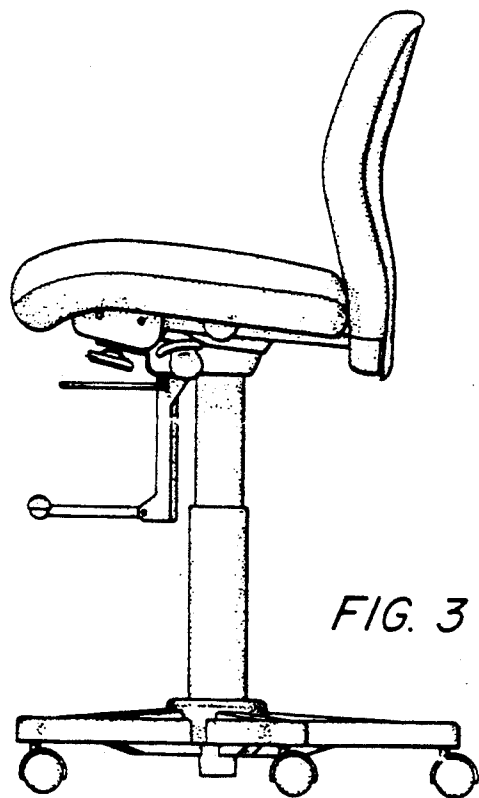


FIG. 3

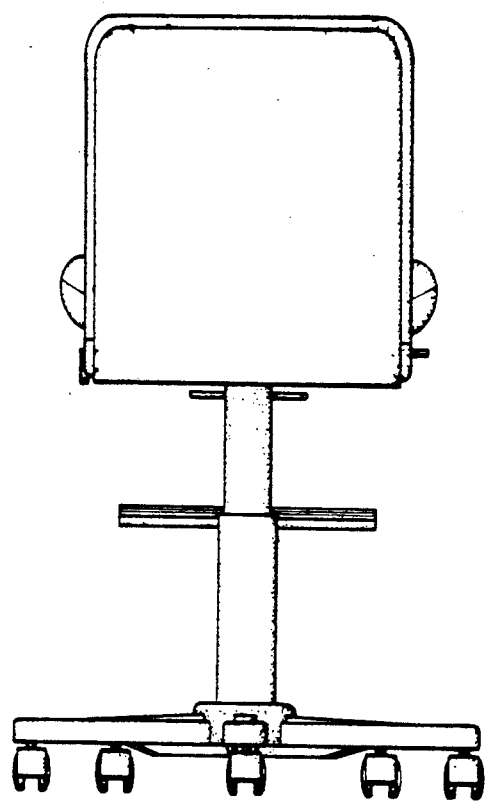


FIG. 4

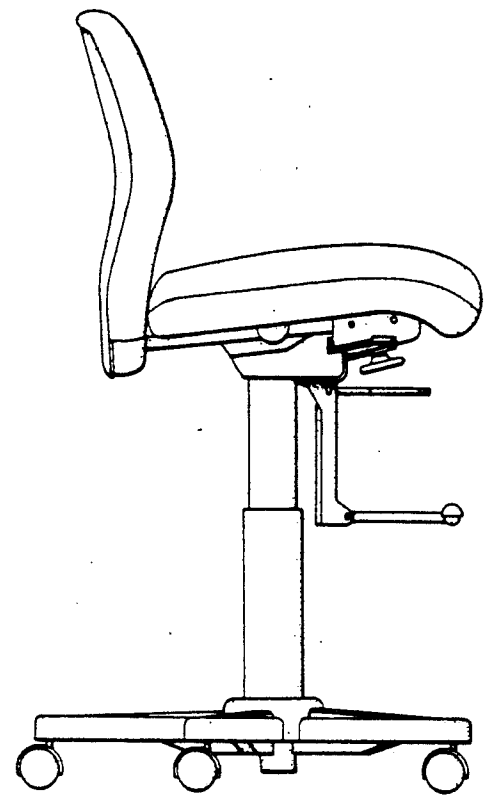


FIG. 5

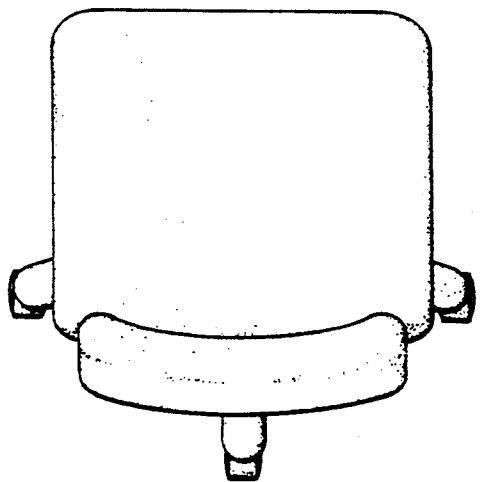


FIG. 6

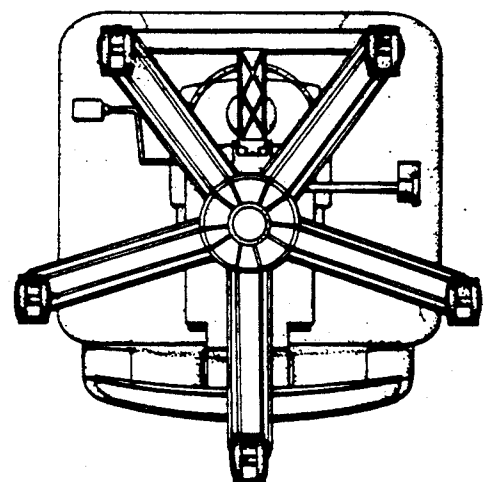


FIG. 7