



US00D484792S

(12) **United States Design Patent** (10) **Patent No.:** **US D484,792 S**
Sgariboldi (45) **Date of Patent:** **** *Jan. 6, 2004**

(54) **CONTAINER FOR PERFUMES AND COSMETIC PRODUCTS**

D364,348 S * 11/1995 Sgariboldi D9/544
D438,097 S * 2/2001 Krunas D9/300
D459,209 S * 6/2002 Yamamoto D9/300

(75) Inventor: **Giovanni Sgariboldi**, Monza (IT)

* cited by examiner

(73) Assignee: **Euroitalia S.r.l.**, Monza (IT)

Primary Examiner—Paula A. Mortimer

(*) Notice: This patent is subject to a terminal disclaimer.

(74) *Attorney, Agent, or Firm*—Abelman, Frayne & Schwab

(**) Term: **14 Years**

(57) **CLAIM**

(21) Appl. No.: **29/169,591**

The ornamental design for a container for perfumes and cosmetic products, as shown and described.

(22) Filed: **Oct. 23, 2002**

DESCRIPTION

(30) **Foreign Application Priority Data**

May 13, 2002 (IT) MI0200336

FIG. 1 is an exploded side top perspective view of a container for perfumes and cosmetic products showing my new design;

(51) **LOC (7) Cl.** **09-01**

FIG. 2 is a front elevation view thereof;

(52) **U.S. Cl.** **D9/300**

FIG. 3 is a rear elevation view thereof, being a mirror image of the front elevation view of FIG. 2;

(58) **Field of Search** D9/300, 516, 504, D9/529, 530, 544, 552, 560, 564, 572, 573, 574, 547-550; 215/381-385, 396, 398; D28/80, 85-90, 91, 91.1

FIG. 4 is a left side elevation view thereof;

FIG. 5 is a right side elevation view thereof, being a mirror image of the left side elevation view of FIG. 4;

(56) **References Cited**

U.S. PATENT DOCUMENTS

D309,860 S * 8/1990 Fossati D9/300
D318,610 S * 7/1991 Nitta D9/300

FIG. 6 is a top plan view thereof; and,

FIG. 7 is a bottom plan view thereof, with the broken lines in FIG. 7 being for illustrative purposes only and forming no part of the claimed design.

1 Claim, 1 Drawing Sheet

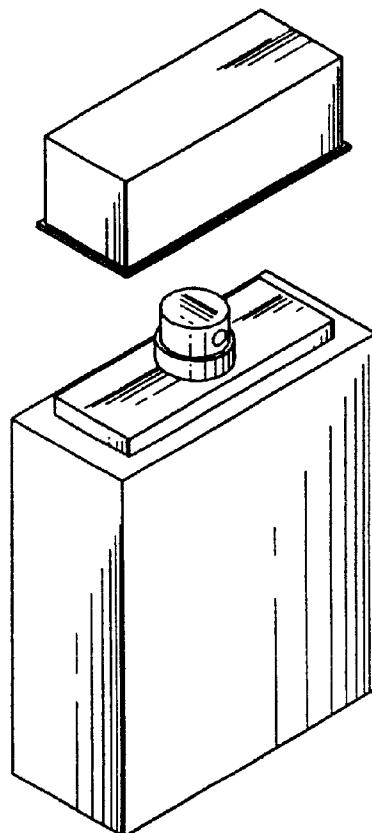


Fig.5

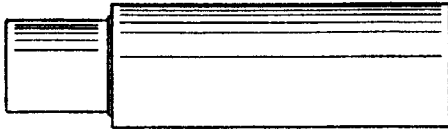


Fig.7

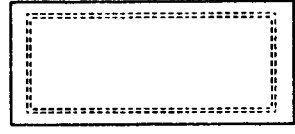


Fig.4

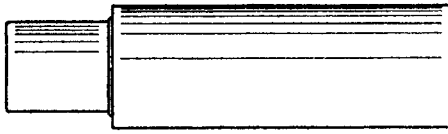


Fig.6

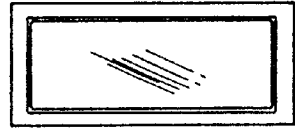


Fig.2

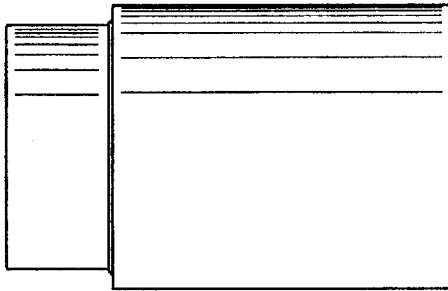


Fig.3

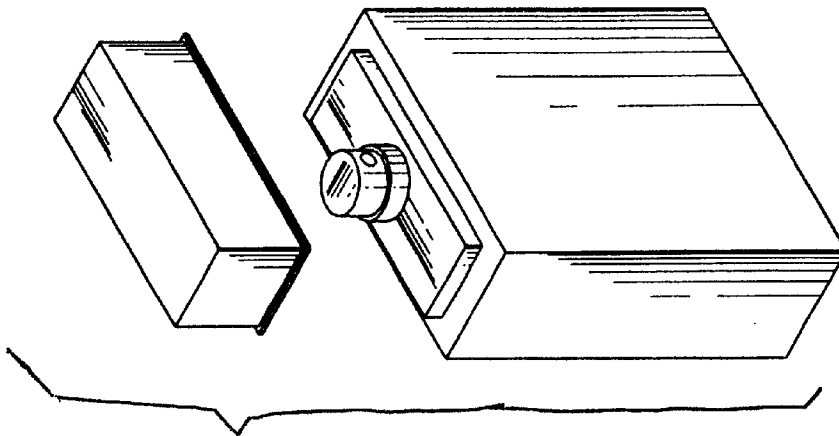
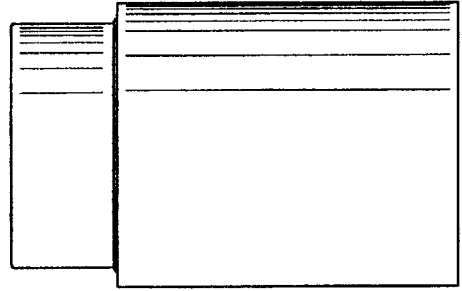


Fig.1