



US00D702111S

(12) **United States Design Patent**
Hollinger

(10) **Patent No.:** **US D702,111 S**

(45) **Date of Patent:** **** Apr. 8, 2014**

(54) **CONTAINER**

(71) Applicant: **E. Mishan & Sons, Inc.**, New York, NY
(US)

(72) Inventor: **Fred Hollinger**, Monroe Township, NJ
(US)

(73) Assignee: **E. Mishan & Sons, Inc.**, New York, NY
(US)

(**) Term: **14 Years**

(21) Appl. No.: **29/459,700**

(22) Filed: **Jul. 2, 2013**

(51) **LOC (10) Cl.** **08-05**

(52) **U.S. Cl.**

USPC **D8/356**

(58) **Field of Classification Search**

USPC D6/573, 575; D9/427, 415; 206/373,
206/349, 372; 439/471; D8/356

See application file for complete search history.

(56)

References Cited

U.S. PATENT DOCUMENTS

D141,423	S	*	5/1945	Lewis	D6/573
3,195,507	A	*	7/1965	Miller	119/431
D286,238	S	*	10/1986	Burton	D6/573
D294,805	S	*	3/1988	Boyer	D9/415
D322,739	S	*	12/1991	Kashuba	D3/315
5,277,006	A	*	1/1994	Ruster	52/220.7
D344,448	S	*	2/1994	Sachs	D8/394
D365,714	S	*	1/1996	Masello	D6/526

5,564,566	A	10/1996	Lamb	D6/567	
D412,081	S	*	7/1999	Ashley	211/50
6,098,818	A	*	8/2000	Ali et al.	D13/139.8
D449,580	S	*	10/2001	Gee, II	248/211
6,513,771	B1	*	2/2003	Tucker	D8/356
D493,091	S	*	7/2004	Griggy	439/471
7,077,688	B2	*	7/2006	Peng	D9/427
D597,404	S	*	8/2009	Bianchini	D8/356
D611,326	S	*	3/2010	Alaniz et al.	D8/356
D612,226	S	*	3/2010	Dinh	D1/122
D622,928	S	*	9/2010	Griebel	D19/90
D645,902	S	*	9/2011	Tsai	206/349
8,276,751	B2	*	10/2012	Zorc	D8/356
D684,035	S	*	6/2013	Su	

* cited by examiner

Primary Examiner — Cynthia Underwood

(74) *Attorney, Agent, or Firm* — Notaro, Michalos & Zaccaria P.C.

(57)

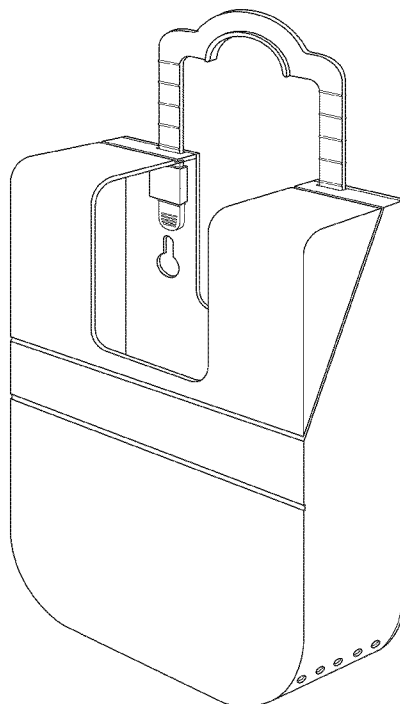
CLAIM

The ornamental design for a container, as shown and described.

DESCRIPTION

FIG. 1 is a front, left, top perspective view of a container showing my new design therefor;
FIG. 2 is a top plan view thereof;
FIG. 3 is a bottom plan view thereof;
FIG. 4 is a front elevational view thereof;
FIG. 5 is a rear elevational view thereof; and,
FIG. 6 is a left side elevational view thereof, the right side being the same.

1 Claim, 6 Drawing Sheets



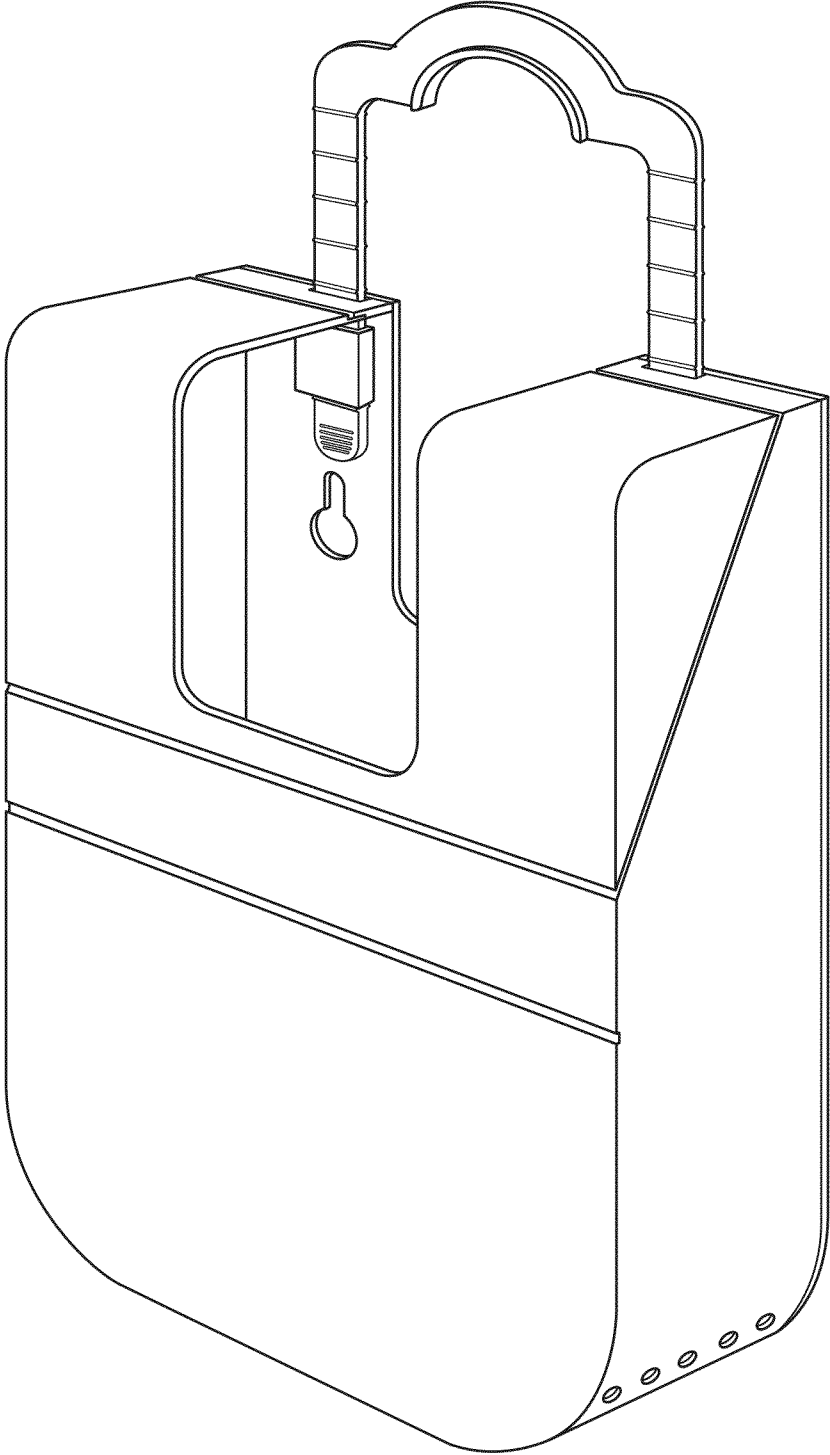


FIG. 1

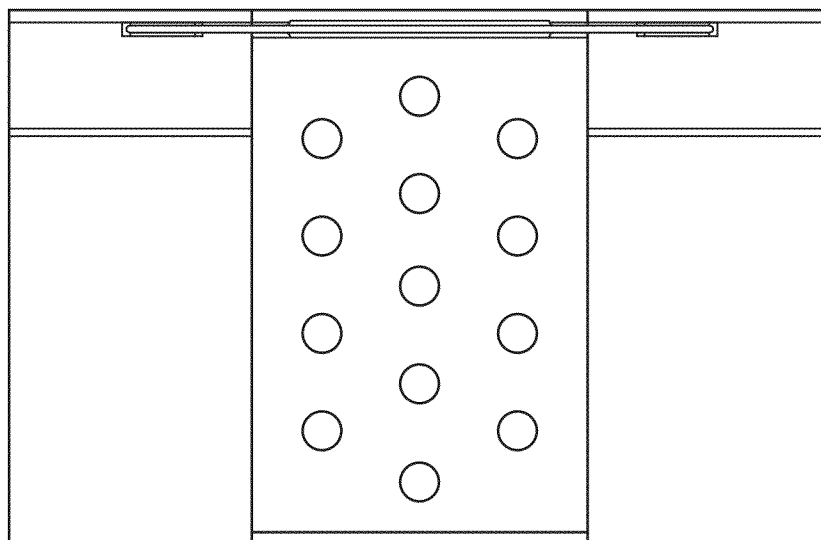


FIG. 2

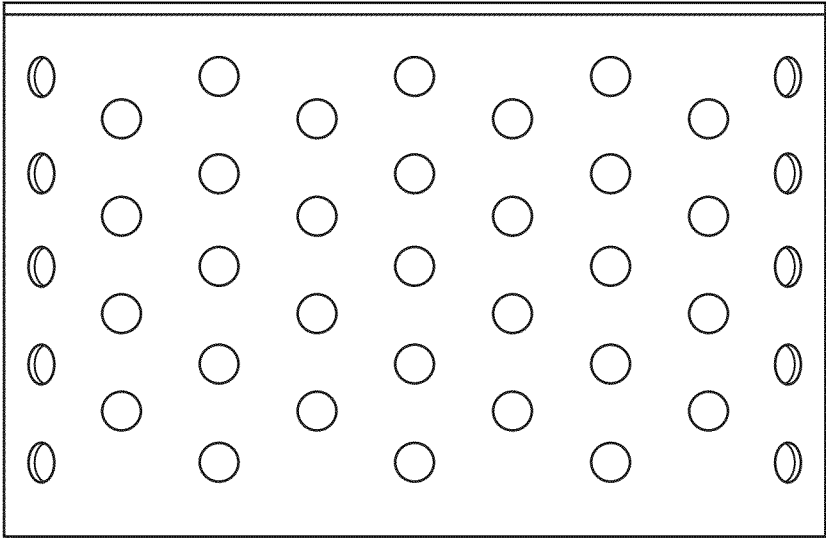


FIG. 3

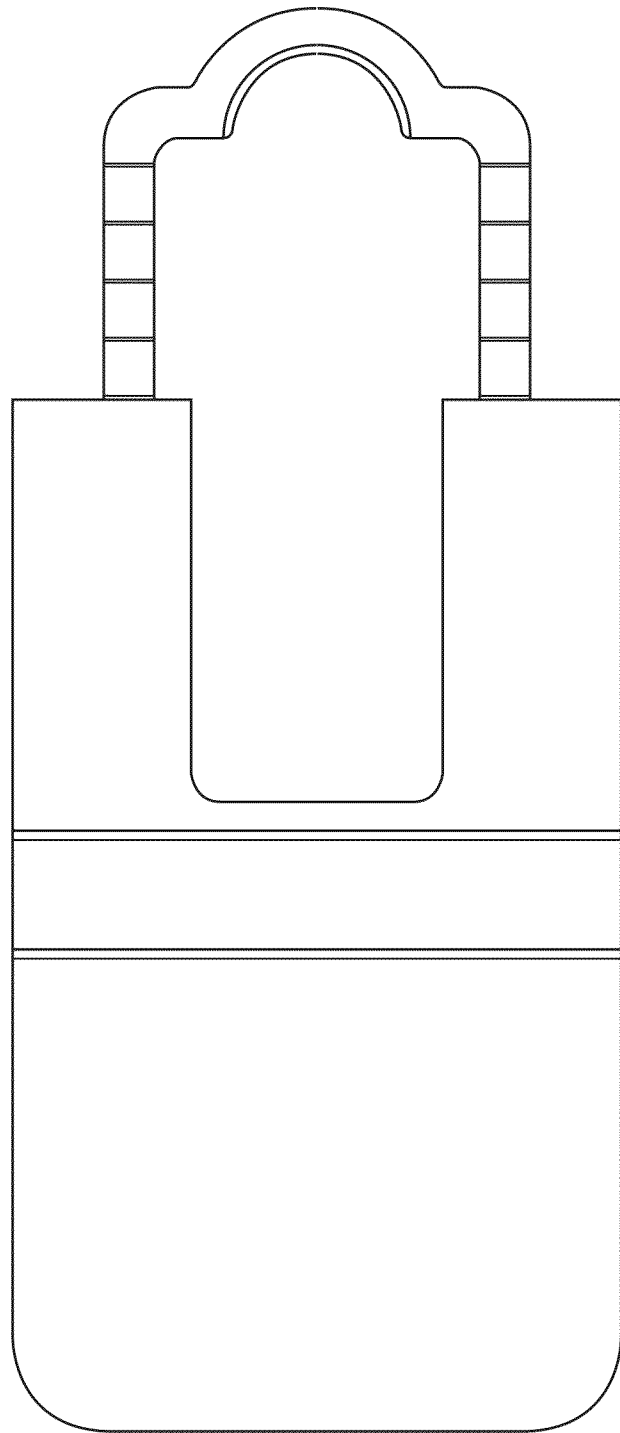


FIG. 4

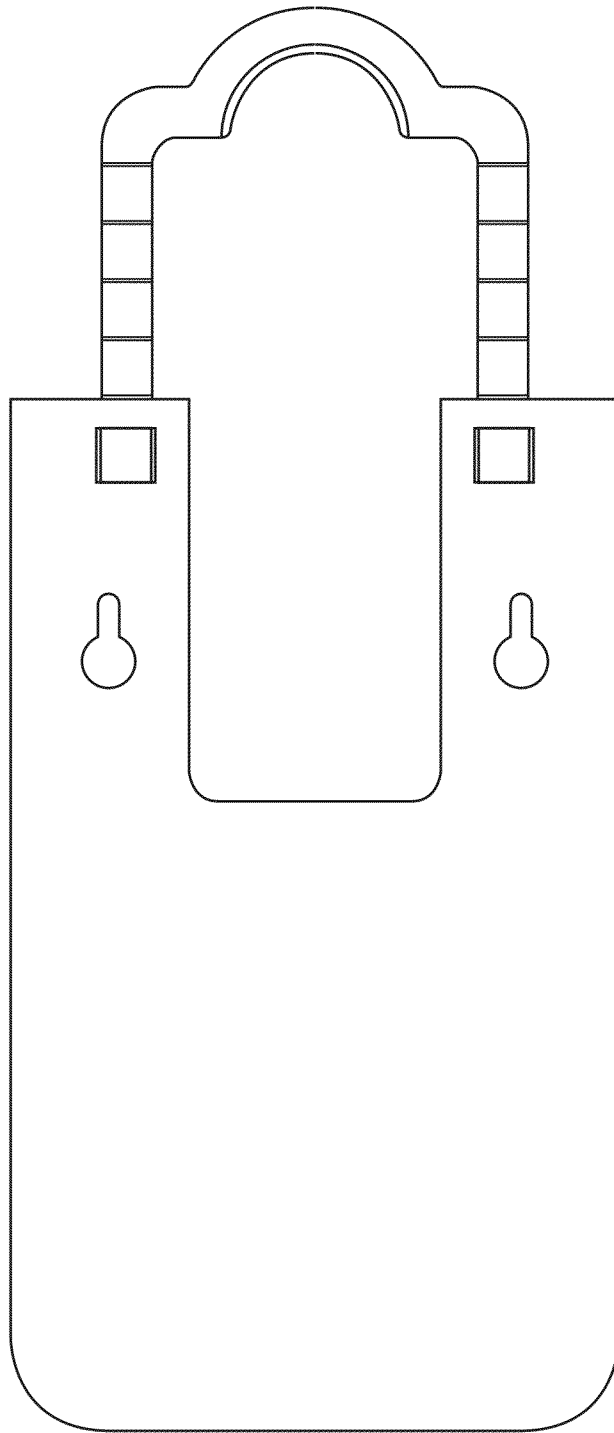


FIG. 5

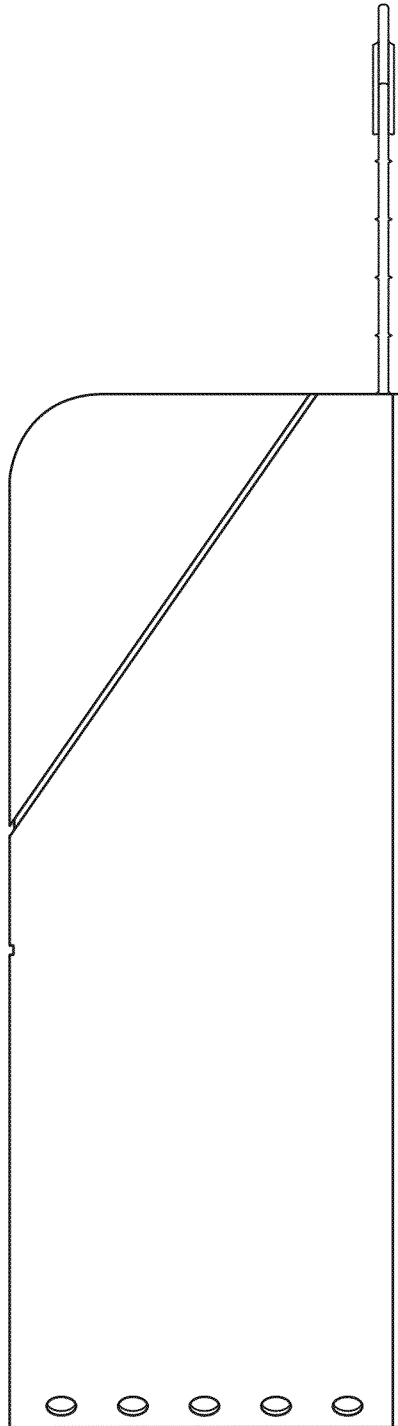


FIG. 6