



US00D760580S

(12) **United States Design Patent**
Pace et al.

(10) **Patent No.:** **US D760,580 S**

(45) **Date of Patent:** **** Jul. 5, 2016**

(54) **CONNECTION MEMBER FOR A MODULAR SUPPORT FRAME**

(71) Applicant: **Revolution Display, LLC**, Glendale, CA (US)

(72) Inventors: **Vincent M. Pace**, Sherman Oaks, CA (US); **Patrick Campbell**, Canyon Country, CA (US)

(73) Assignee: **Revolution Display, LLC**, Glendale, CA (US)

(**) Term: **14 Years**

(21) Appl. No.: **29/526,441**

(22) Filed: **May 8, 2015**

(51) **LOC (10) Cl.** **08-08**

(52) **U.S. Cl.**

USPC **D8/382**

(58) **Field of Classification Search**

USPC D6/702; D8/349, 354, 380, 381, 382, D8/499; D14/314, 432, 451, 299; D25/68
CPC A47B 13/003; F16B 12/02; F16B 12/06; F16B 12/10; F16B 12/28; F16B 12/30; F16B 12/32; F16B 12/44; F16B 2012/443; F16B 2012/446; F16B 12/46; F16B 12/50; F16B 12/52

See application file for complete search history.

(56) **References Cited**

U.S. PATENT DOCUMENTS

484,708	A	*	10/1892	Gates	E02D 17/04 16/13
4,545,490	A	*	10/1985	Hsiao	F16B 12/30 211/182
D306,446	S	*	3/1990	McGuire	D12/317
D315,668	S	*	3/1991	Murphy	D8/354
5,497,593	A	*	3/1996	Riesberg	E04B 5/12 403/232.1
6,205,739	B1	*	3/2001	Newlin	E04B 1/19 52/645
D562,112	S	*	2/2008	Harrell	D8/354

D609,081	S	*	2/2010	Gulley	D8/380
D615,847	S	*	5/2010	Tezak	D8/349
D687,698	S	*	8/2013	Machijima	D8/354
2003/0001469	A1	*	1/2003	Hankins	F16B 12/06 312/257.1
2013/0037667	A1	*	2/2013	Goldin	A47B 13/003 248/221.11

* cited by examiner

Primary Examiner — Sheryl Lane

Assistant Examiner — Ieisha Price

(74) *Attorney, Agent, or Firm* — Downs Rachlin Martin PLLC

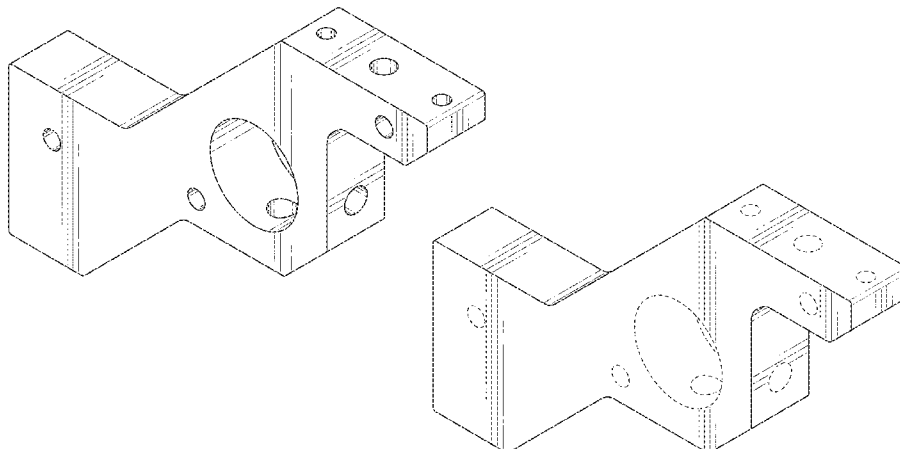
(57) **CLAIM**

The ornamental design for a connection member for a modular support frame, as shown and described.

DESCRIPTION

FIG. 1 is a perspective view of the first embodiment of a connection member for a modular support frame showing our new design;
 FIG. 2 is a front view thereof;
 FIG. 3 is a rear view thereof;
 FIG. 4 is a side view thereof;
 FIG. 5 is a second side view thereof;
 FIG. 6 is a top view thereof;
 FIG. 7 is a bottom view thereof;
 FIG. 8 is a perspective view of the second embodiment of a connection member for a modular support frame showing our new design;
 FIG. 9 is a front view thereof;
 FIG. 10 is a rear view thereof;
 FIG. 11 is a side view thereof;
 FIG. 12 is a second side view thereof;
 FIG. 13 is a top view thereof; and,
 FIG. 14 is a bottom view thereof.
 The broken lines in the drawings illustrate portions of the connection member for a modular support frame and form no part of the claimed design.
 The shade lines in the Figures show contour and not surface ornamentation.

1 Claim, 14 Drawing Sheets



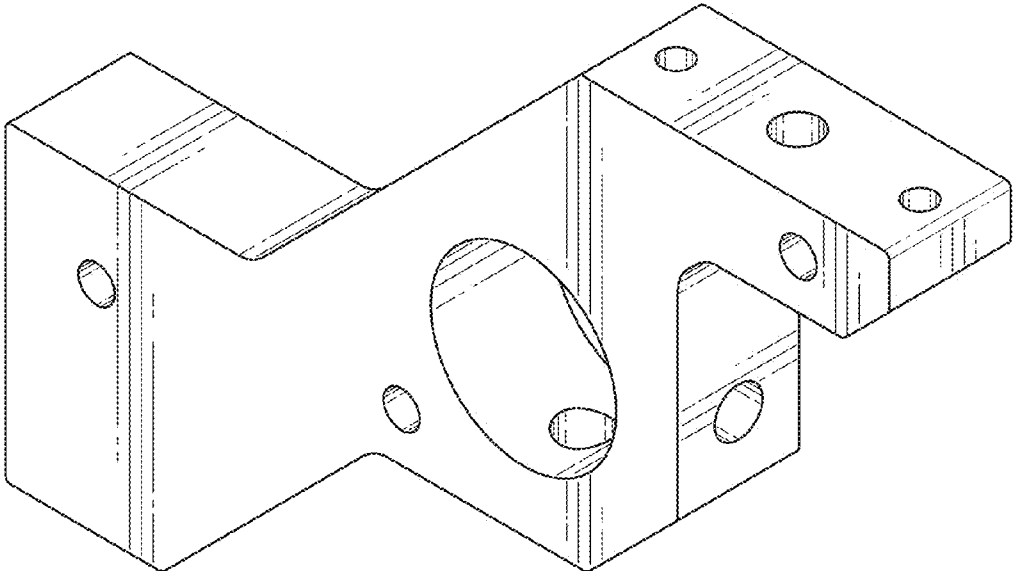


FIG. 1

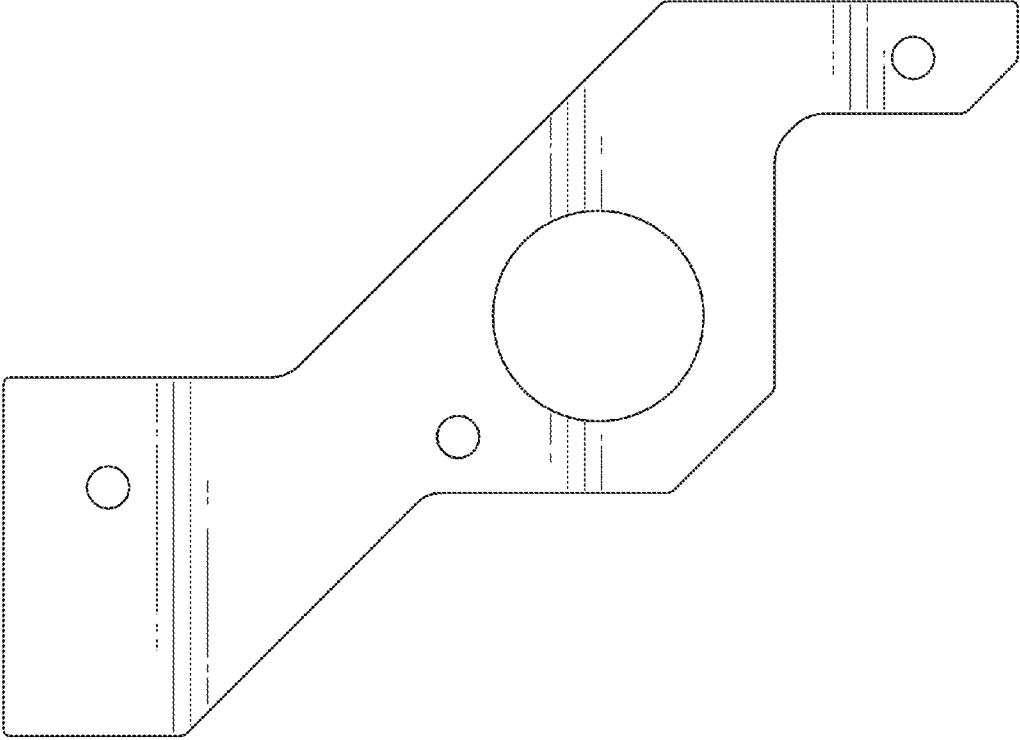


FIG. 2

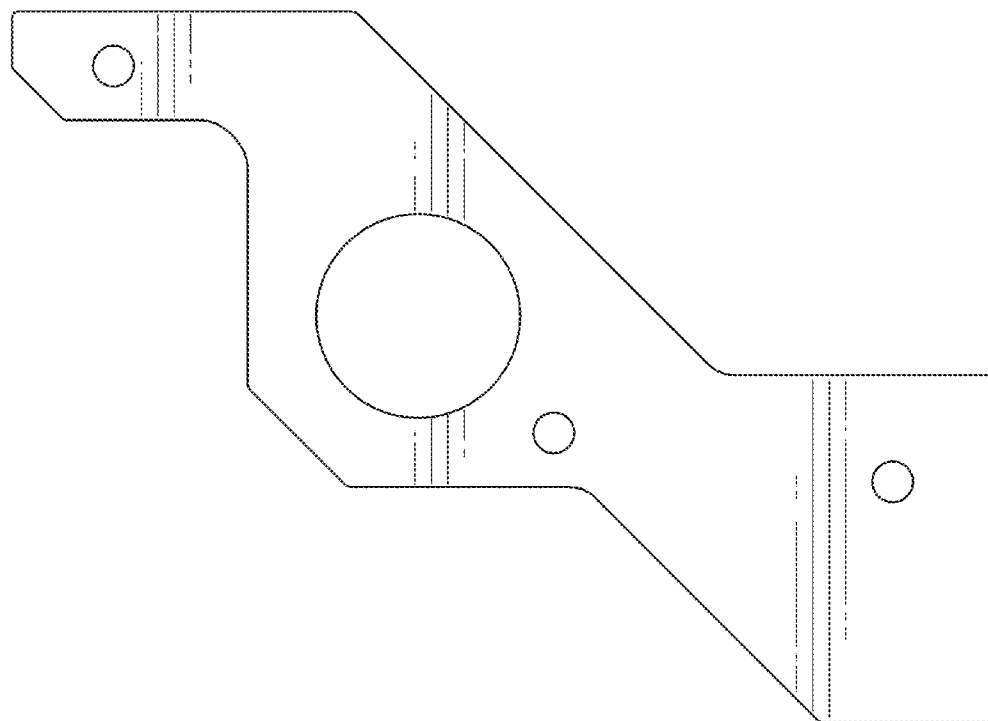


FIG. 3

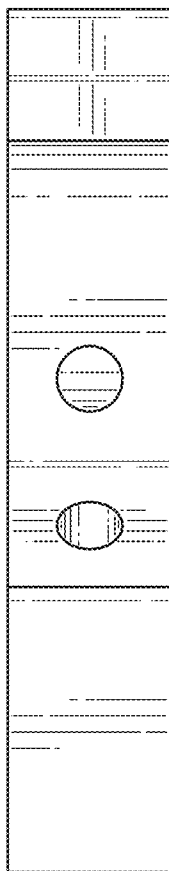


FIG. 4

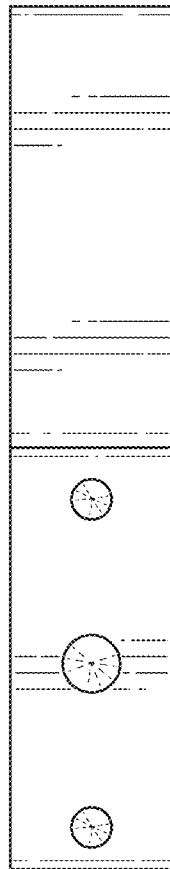


FIG. 5

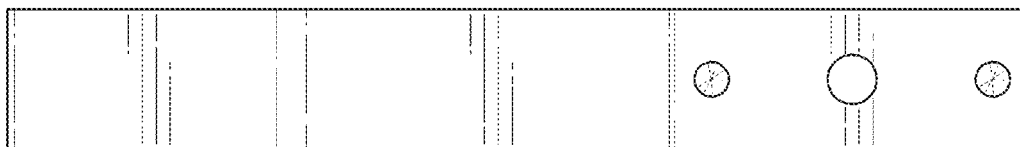


FIG. 6

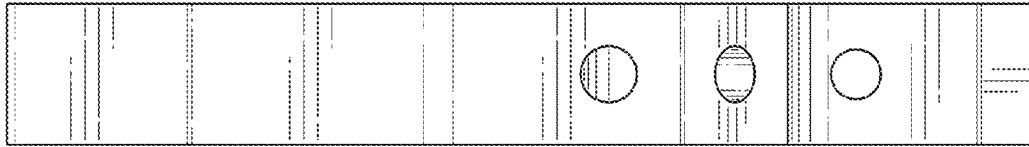


FIG. 7

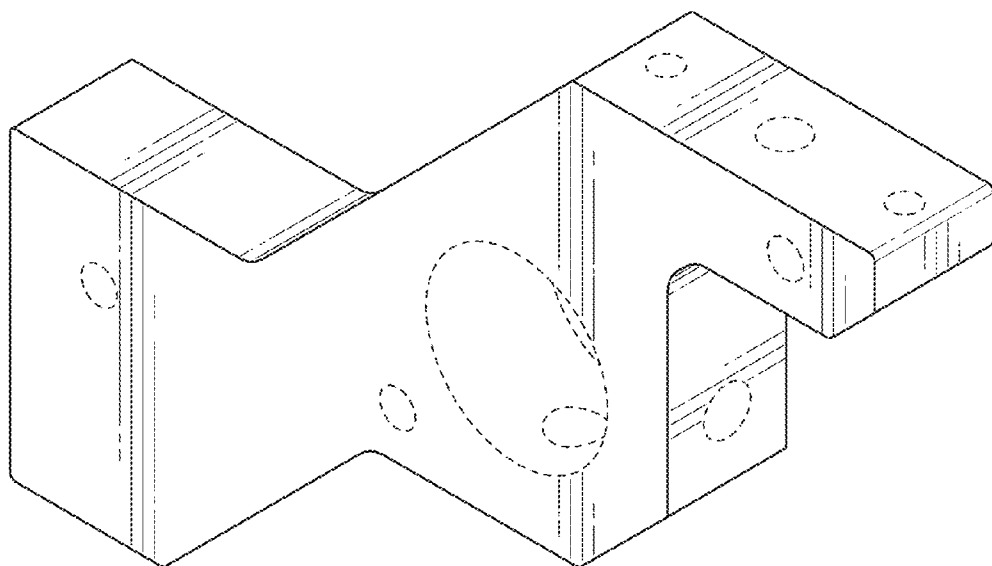


FIG. 8

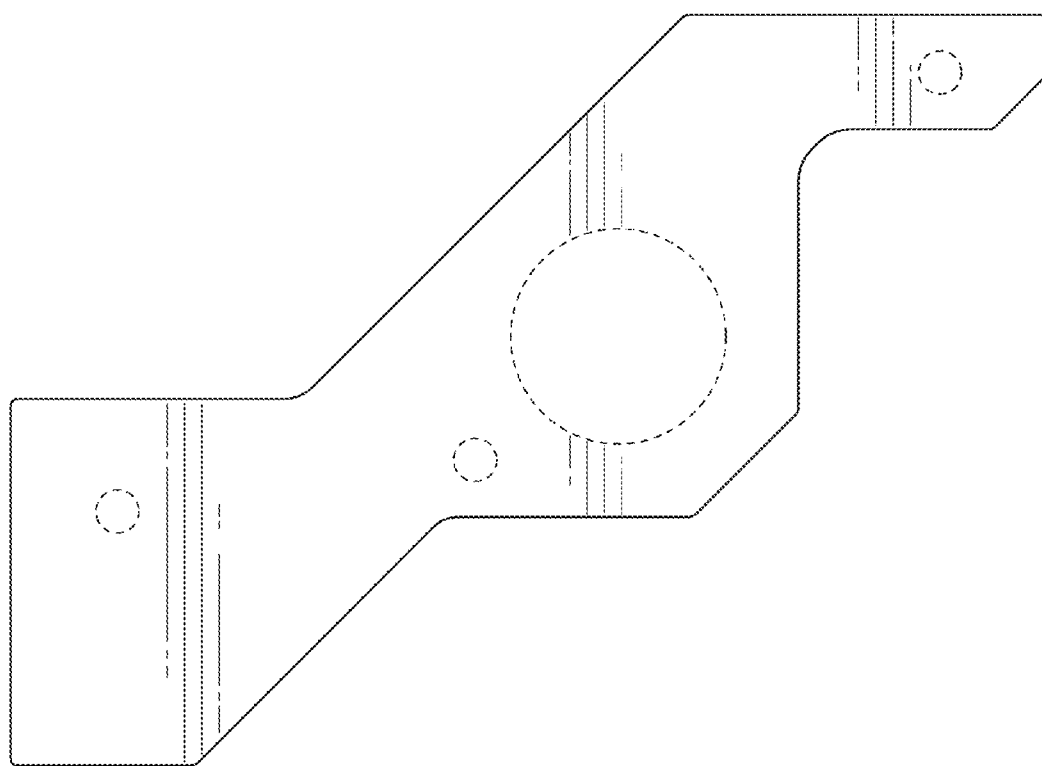


FIG. 9

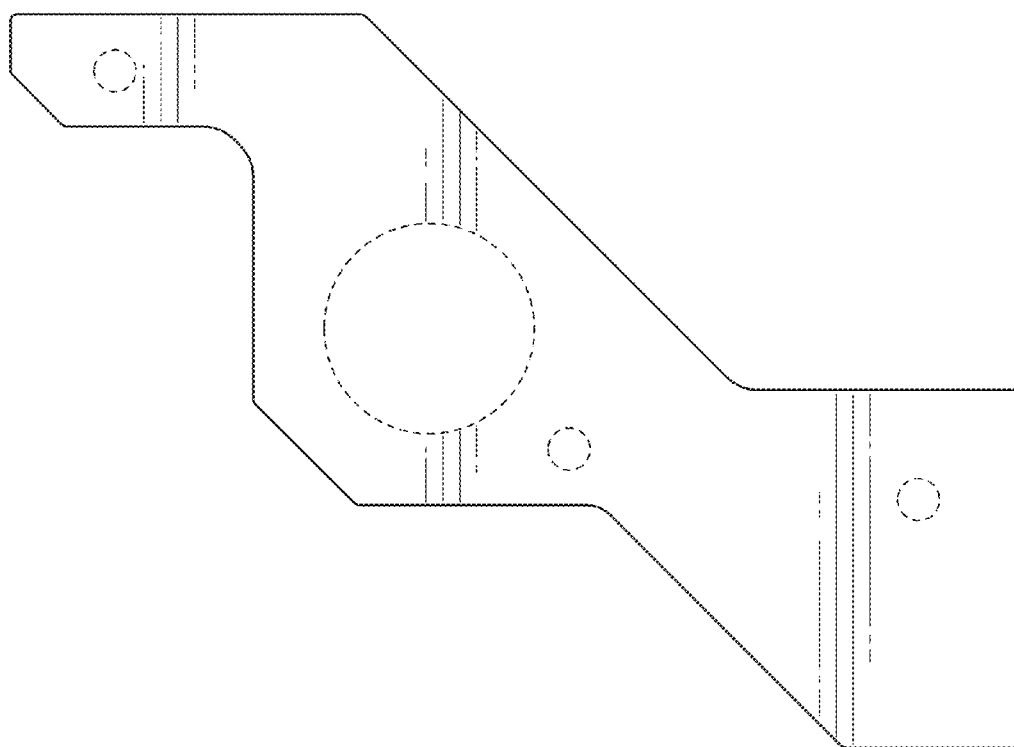


FIG. 10

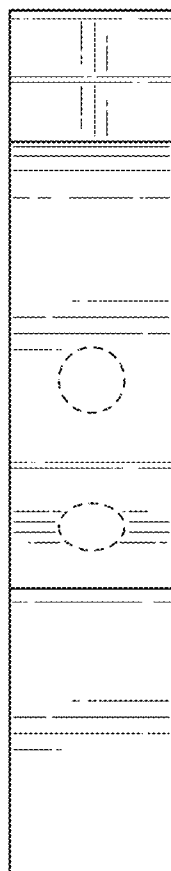


FIG. 11

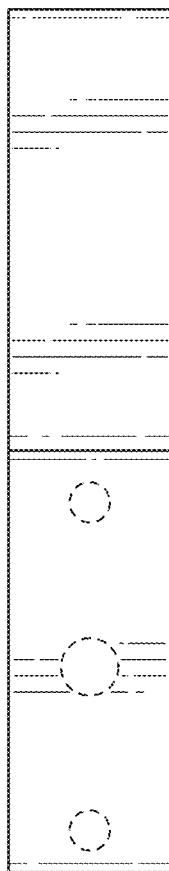


FIG. 12

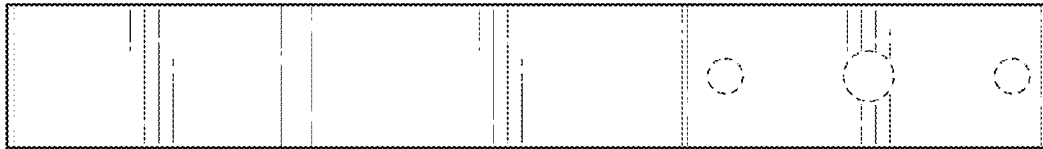


FIG. 13

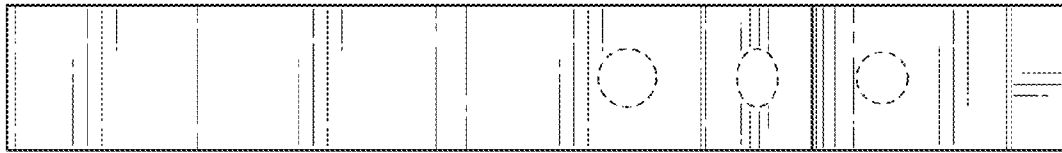


FIG. 14