



US00D423366S

# United States Patent [19] Gans

[11] Patent Number: Des. 423,366

[45] Date of Patent: \*\* Apr. 25, 2000

[54] CONTAINER

[75] Inventor: Henry G. Gans, Appleton, Wis.

[73] Assignee: American National Can Company,  
Chicago, Ill.

[\*\*] Term: 14 Years

[21] Appl. No.: 29/097,264

[22] Filed: Dec. 2, 1998

[51] LOC (6) Cl. .... 09-01

[52] U.S. Cl. .... D9/541; D9/560

[58] Field of Search ..... D9/560, 541, 546,  
D9/573, 574, 500, 503, 538, 520; 215/382,  
383, 384; D34/39

[56] References Cited

### U.S. PATENT DOCUMENTS

D. 107,586	12/1937	Toulouse	.....	D9/500
D. 218,288	8/1970	Hilliard	.....	D9/500
D. 233,981	12/1974	Watt	.....	D9/560
D. 264,182	5/1982	Kemp et al.	.....	D9/503
D. 278,597	4/1985	McAlinden	.....	D9/500
3,212,663	10/1965	Greenwell	.....	215/382

### OTHER PUBLICATIONS

Owens-Illinois Food Industries 1959 Stock Catalog, p. 1,  
Jar C-3006.

Primary Examiner—Lucy Lieberman  
Attorney, Agent, or Firm—McDermott, Will & Emery

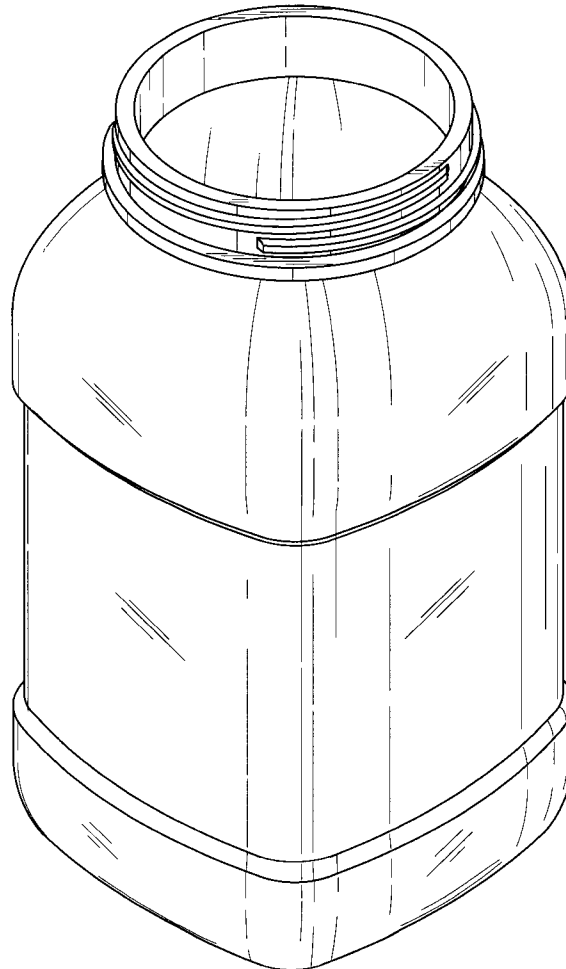
### [57] CLAIM

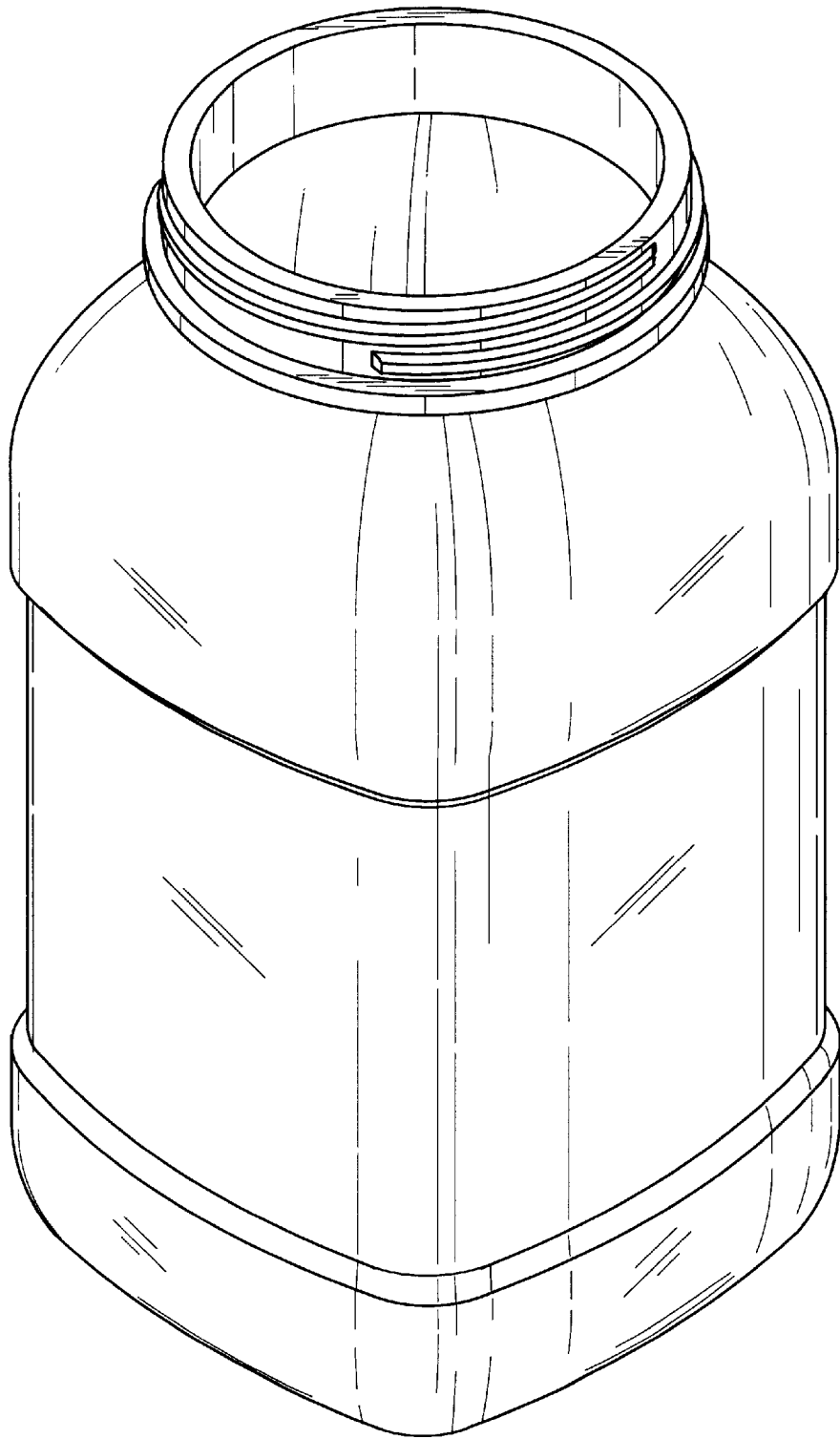
The ornamental design for a container, as shown.

### DESCRIPTION

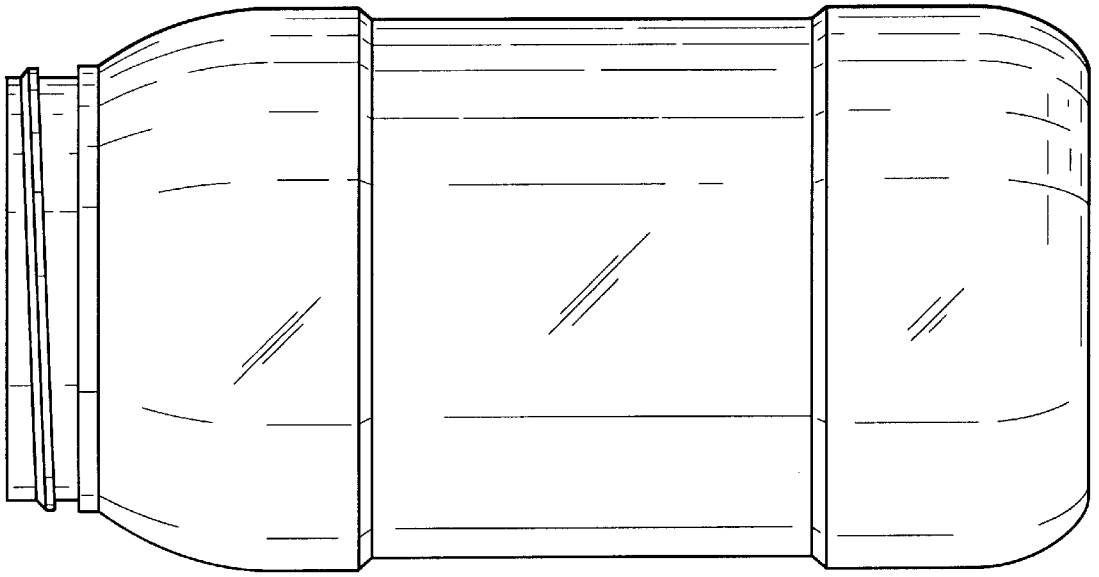
FIG. 1 is a perspective view of the new design of the present invention;  
 FIG. 2 is a front elevational view of the new design of the present invention;  
 FIG. 3 is a back elevational view of the new design of the present invention;  
 FIG. 4 is a right side elevational view of the new design of the present invention;  
 FIG. 5 is a left side elevational view of the new design of the present invention;  
 FIG. 6 is a top plan view of the new design of the present invention; and,  
 FIG. 7 is a bottom plan view of the new design of the present invention.

1 Claim, 4 Drawing Sheets



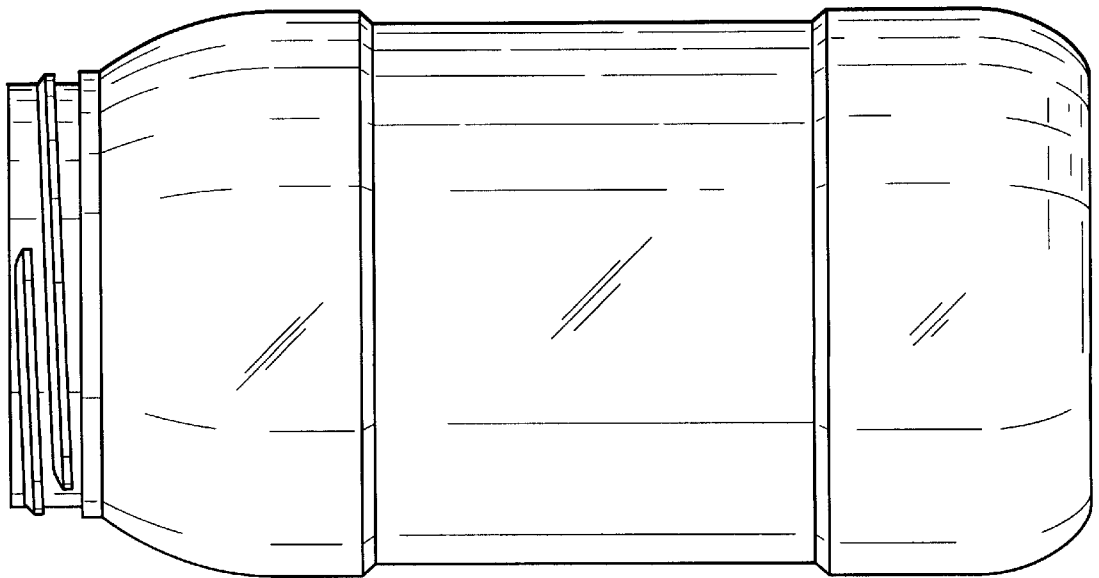


*Fig. 1*



*Fig. 2*

*Fig. 3*



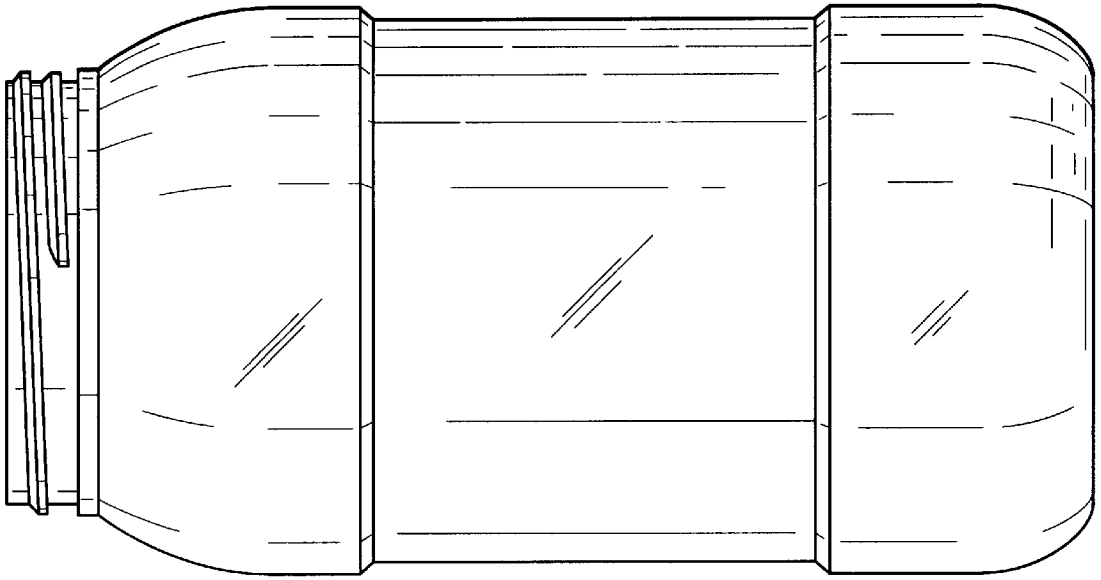
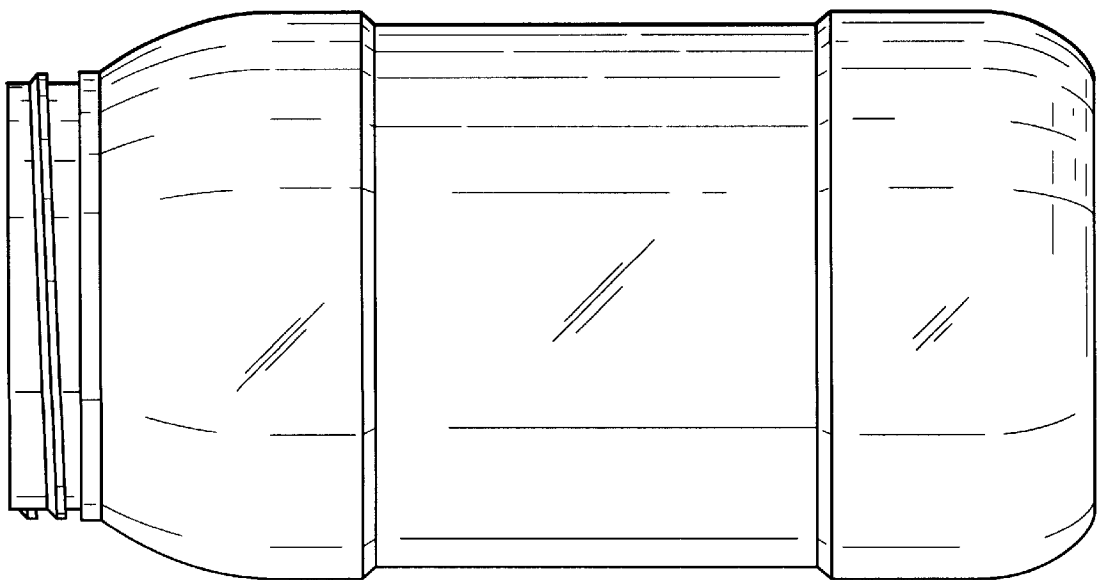
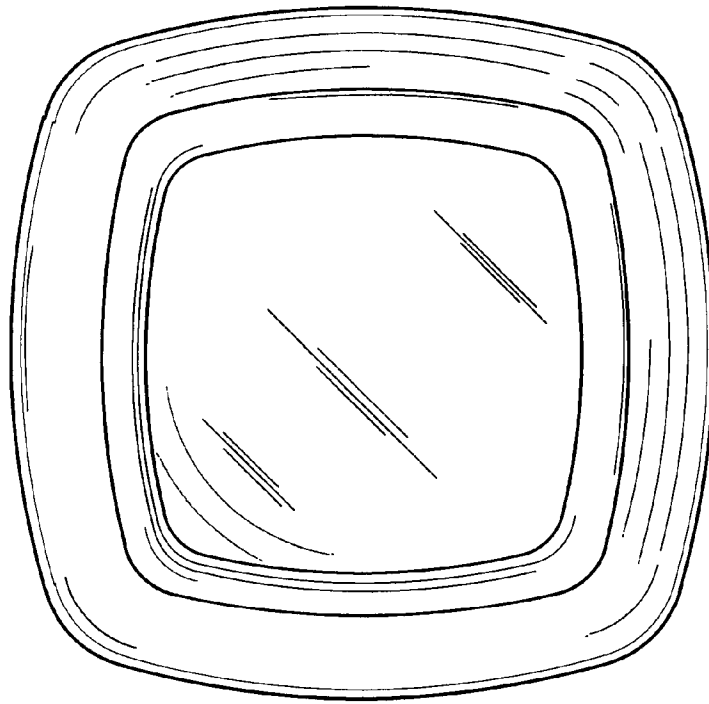


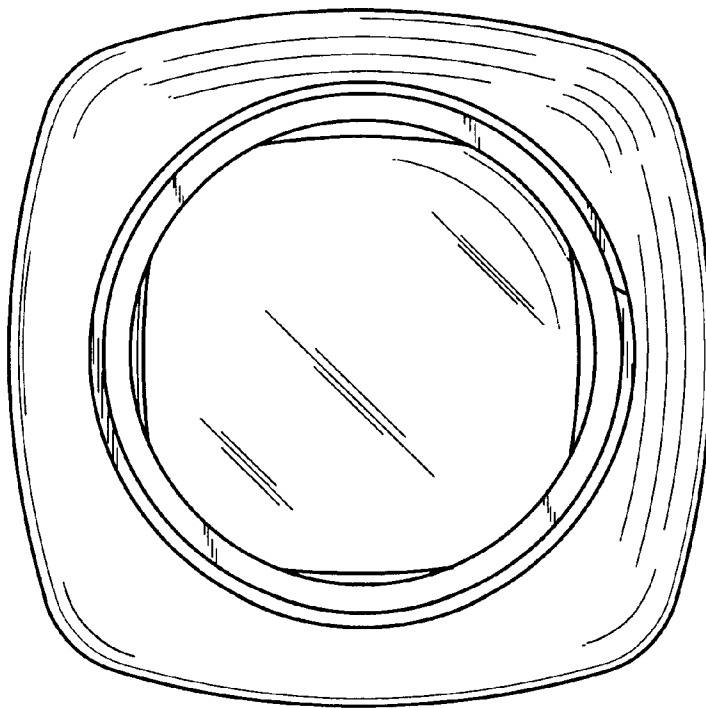
Fig. 4

Fig. 5





*Fig. 7*



*Fig. 6*