



US00D343898S

United States Patent [19]

[11] Patent Number: Des. 343,898

Bryant et al.

[45] Date of Patent: ** Feb. 1, 1994

[54] CATHETER ADAPTER

[75] Inventors: Peter L. Bryant, Libertyville;
Nicolaos A. Drivas, Des Plaines, both
of Ill.

[73] Assignee: Abbott Laboratories, Abbott Park,
Ill.

[**] Term: 14 Years

[21] Appl. No.: 797,763

[22] Filed: Nov. 22, 1991

[52] U.S. Cl. D24/112

[58] Field of Search 604/243, 283, 240-242,
604/164, 180, 905; 285/81, 334.3, 339, 343, 353;
D24/130, 129

[56] References Cited

U.S. PATENT DOCUMENTS

D. 204,352 4/1966 Eizenberg D24/130

D. 252,470 7/1979 Pawlak D24/129
D. 270,282 8/1983 Gross D24/112
D. 327,320 6/1992 Bryant D24/130
5,053,015 10/1991 Gross 604/243 X

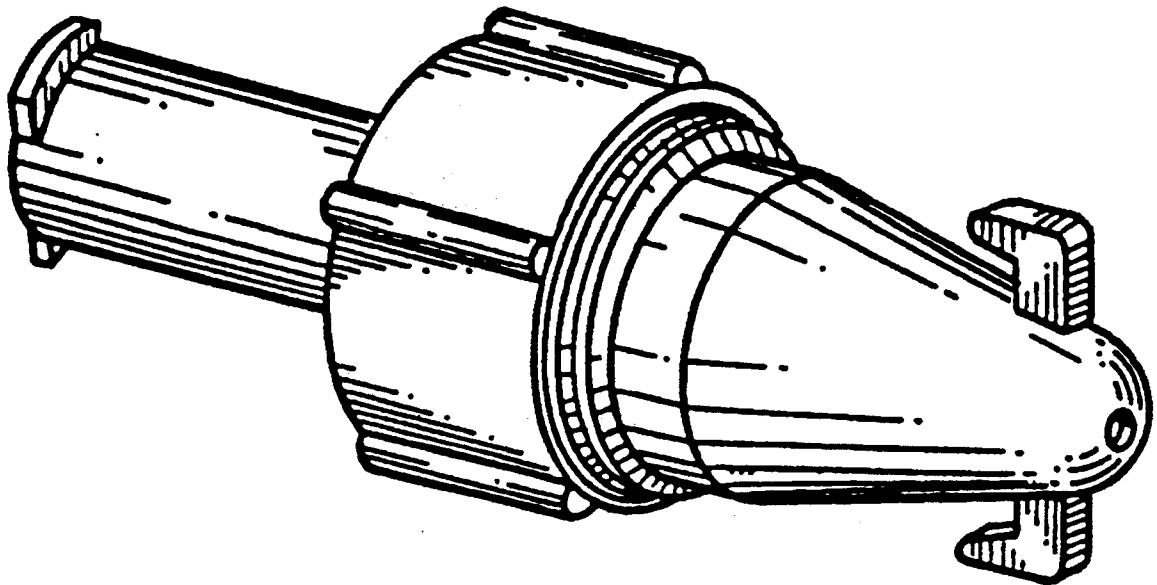
Primary Examiner—Stella Reid
Attorney, Agent, or Firm—Thomas M. Breininger

[57] CLAIM

The ornamental design for a catheter adapter, as shown and described.

DESCRIPTION

FIG. 1 is a perspective view of a catheter adapter showing our new design;
FIG. 2 is a side elevational view thereof, the opposite side view being a mirror image thereof;
FIG. 3 is a left end elevational view thereof;
FIG. 4 is a right end elevational view thereof; and,
FIG. 5 is a top plan view thereof, the bottom plan view being a mirror image thereof.



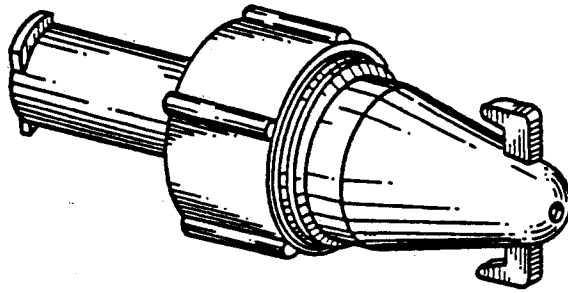


Fig. 1

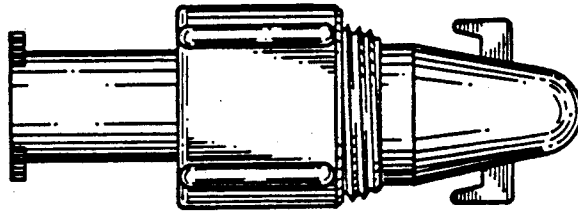


Fig. 2

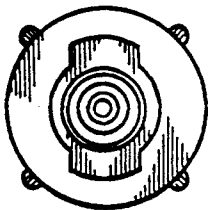


Fig. 3

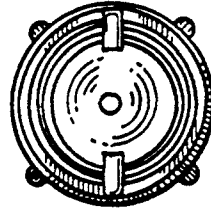


Fig. 4

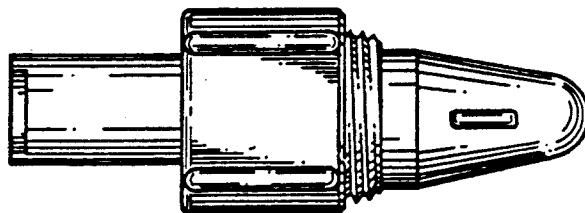


Fig. 5