



US00D865759S

(12) **United States Design Patent**  
**Haranaka et al.**

(10) **Patent No.:** **US D865,759 S**  
(45) **Date of Patent:** **\*\* Nov. 5, 2019**

(54) **WEARABLE INFORMATION TERMINAL**  
(71) Applicant: **Sharp Kabushiki Kaisha**, Sakai, Osaka (JP)  
(72) Inventors: **Akira Haranaka**, Saika (JP); **Tadahiko Saimen**, Sakai (JP)  
(73) Assignee: **Sharp Kabushiki Kaisha**, Sakai, Osaka (JP)

8,345,412 B2 \* 1/2013 Maravilla ..... A45F 5/00  
224/219  
D730,199 S \* 5/2015 Gerard-Goddet ..... D10/32  
D736,652 S \* 8/2015 Isaacs ..... D10/32  
(Continued)

(\*\*) Term: **15 Years**  
(21) Appl. No.: **29/613,136**  
(22) Filed: **Aug. 8, 2017**

**FOREIGN PATENT DOCUMENTS**  
EM 002606574-0001 1/2015  
JP D1537085 11/2015  
JP D1584098 8/2017

(30) **Foreign Application Priority Data**  
Feb. 28, 2017 (JP) ..... 2017-003916  
(51) **LOC (12) Cl.** ..... **14-02**  
(52) **U.S. Cl.**  
USPC ..... **D14/344**  
(58) **Field of Classification Search**  
USPC .. D14/138 R, 144, 341, 344, 358, 388, 218;  
D10/30-39, 70, 98; D11/3, 4, 26, 93-94,  
D11/78.1, 79, 86; D24/167, 169,  
D24/186-187, 164  
CPC ..... A41D 1/002; A41D 19/0034; G06F 1/04;  
G06F 1/08; G06F 1/10; G06F 1/14; G06F  
1/1626; G06F 1/1628; G06F 1/163; G06F  
1/1635; G06F 1/3203; G06Q 20/10;  
G06Q 20/12; G06Q 20/108; G06Q  
20/145; H04B 1/3833; H04B 1/385;  
H04B 1/3888; H04M 1/02; H04M 1/03;  
H04M 1/04; H04M 1/05; H04M 1/667;  
H04M 1/6058; Y02B 60/1217  
See application file for complete search history.

**OTHER PUBLICATIONS**  
Sharp Launches Softbank Hawks Smartwatch, posted Jul. 28, 2017, [retrieved Jul. 26, 2018]. Retrieved from Internet, <URL: https://www.fukuoka-now.com/en/news/sharp-launches-softbank-hawks-smartwatch/ >.\*  
(Continued)

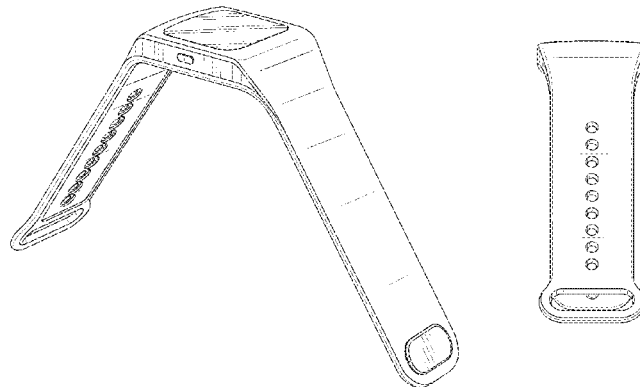
*Primary Examiner* — Barbara Fox  
*Assistant Examiner* — Kristin E Reed  
(74) *Attorney, Agent, or Firm* — Nixon & Vanderhye P.C.

(56) **References Cited**  
**U.S. PATENT DOCUMENTS**  
D645,360 S \* 9/2011 Kiser ..... D10/32  
D667,126 S \* 9/2012 Cho ..... D24/186

(57) **CLAIM**  
The ornamental design for a “wearable information terminal”, as shown and described.

**DESCRIPTION**  
FIG. 1 is a front, right perspective view of a wearable information terminal in accordance with our new design; FIG. 2 is a front elevation view thereof; FIG. 3 is rear elevation view thereof; FIG. 4 is a top plan view thereof; FIG. 5 is a bottom plan view thereof; FIG. 6 is a right-side elevation view thereof; and, FIG. 7 is a left-side elevation view thereof.  
The broken lines shown in the drawings depict portions of the wearable information terminal that form no part of the claimed design.

**1 Claim, 5 Drawing Sheets**



(56)

**References Cited**

## U.S. PATENT DOCUMENTS

|              |      |         |                  |                      |
|--------------|------|---------|------------------|----------------------|
| D751,067     | S *  | 3/2016  | Nousiainen ..... | D10/38               |
| D759,622     | S *  | 6/2016  | Dahlberg .....   | D10/32               |
| D762,210     | S *  | 7/2016  | Lee .....        | D14/344              |
| D768,858     | S    | 10/2016 | Komulainen       |                      |
| 9,851,753    | B2 * | 12/2017 | Gao .....        | G06F 1/163           |
| 9,859,937    | B2 * | 1/2018  | Chien .....      | G04G 17/04           |
| 9,918,541    | B2 * | 3/2018  | Byun .....       | A45F 5/02            |
| 9,993,200    | B2 * | 6/2018  | Jeong .....      | G06F 1/1684          |
| 10,019,067   | B2 * | 7/2018  | Yoon .....       | G06F 3/017           |
| 2012/0099406 | A1 * | 4/2012  | Lau .....        | G04G 21/08<br>368/69 |

## OTHER PUBLICATIONS

Sony Smartwatch 3 Review: It's good to be square, posted Jan. 25, 2015, [retrieved Jul. 26, 2018]. Retrieved from Internet, <URL: <https://www.dailystar.co.uk/tech/reviews/421658/Sony-Smartwatch-3-Review-Best-Android-wear-device> >.\*

English translations of Bibliographic data of the JP publications listed above (JP D1537085 and JP D2016-17535).

Design U.S. Appl. No. 29/613,140, filed Aug. 8, 2017, entitled "Core of a Wearable Information Terminal".

"DN-103, Evergreen, palm-sized and non-bulky multi-functional portable audio", BR BCN Retail, (<https://www.bcnretail.com>), News Date and Time Jul. 15, 2011 18:10.

\* cited by examiner

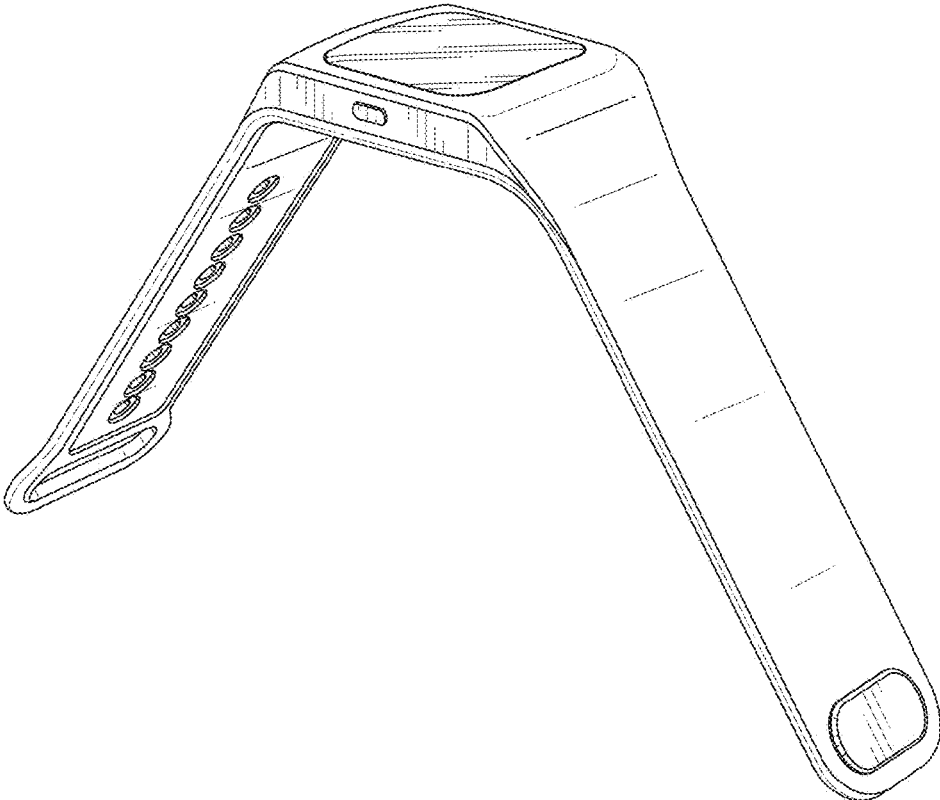


Fig. 1

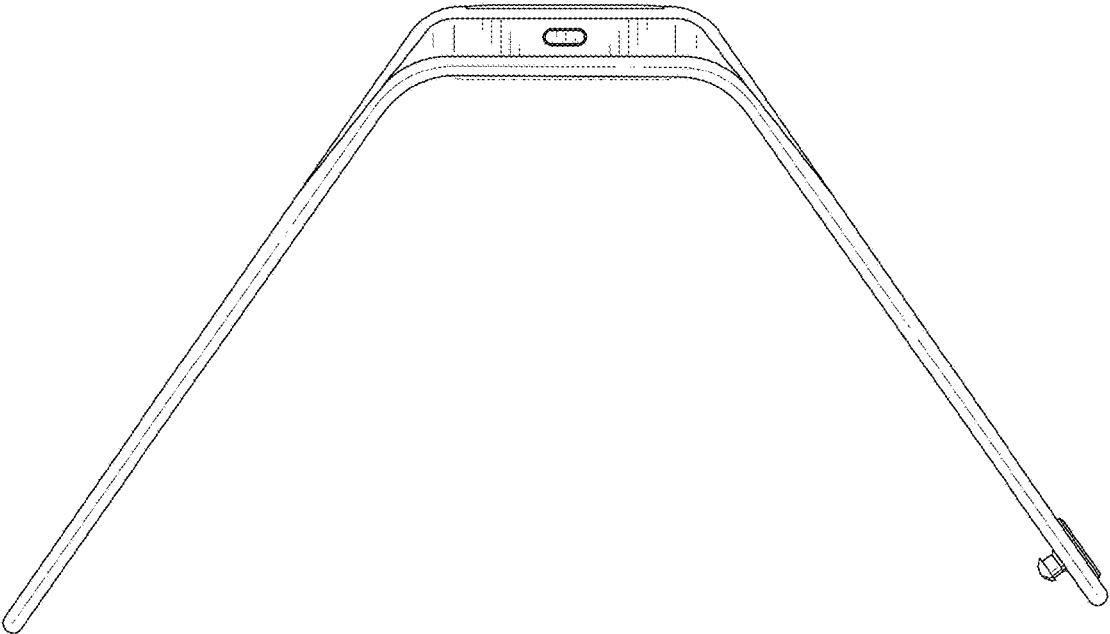


Fig. 2

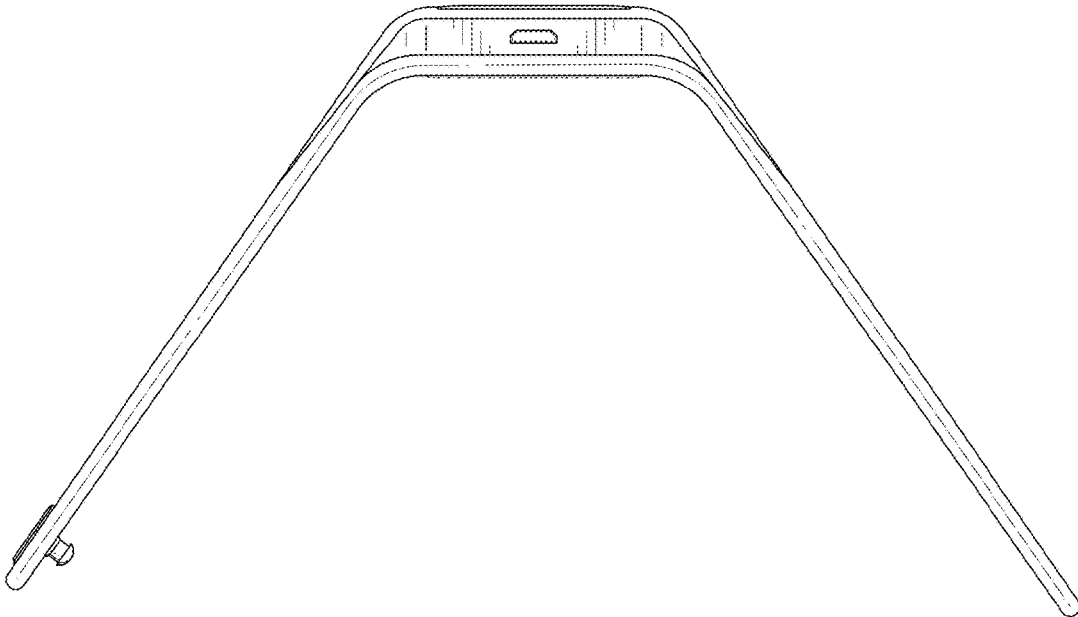


Fig. 3

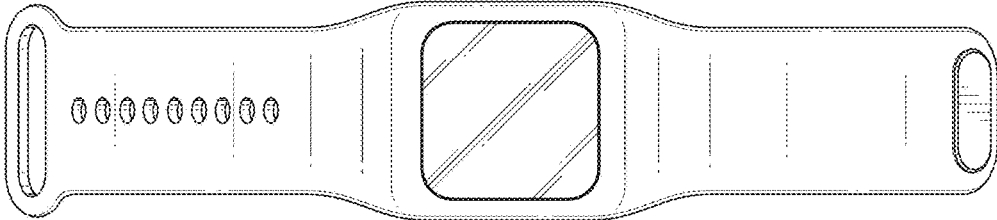


Fig. 4

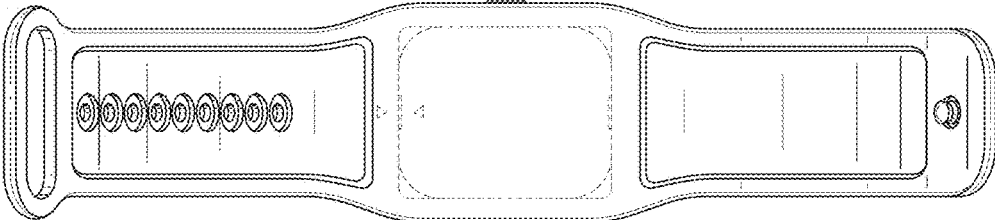


Fig. 5

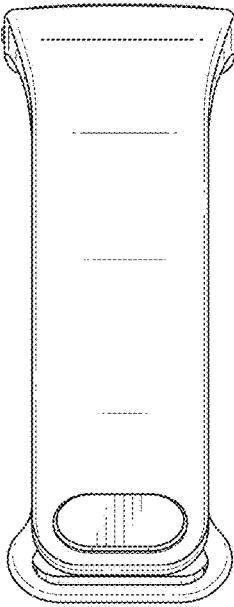


Fig. 6

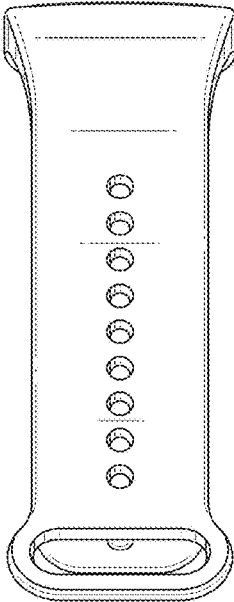


Fig. 7