



US00D643039S

(12) **United States Design Patent**
Wilday et al.

(10) **Patent No.:** **US D643,039 S**

(45) **Date of Patent:** **** Aug. 9, 2011**

(54) **MULTI-FUNCTION IMAGING AND PRINTING DEVICE**

(75) Inventors: **Ryan Lane Wilday**, San Diego, CA (US); **David Bradley Short**, San Diego, CA (US); **Josh Maruska**, Seattle, WA (US); **Tad Toulis**, Seattle, WA (US); **Benoit Collette**, Seattle, WA (US)

(73) Assignee: **Hewlett-Packard Development Company, L.P.**, Houston, TX (US)

(**) Term: **14 Years**

(21) Appl. No.: **29/380,592**

(22) Filed: **Dec. 8, 2010**

(51) **LOC (9) Cl.** **14-02**

(52) **U.S. Cl.** **D14/422; D18/50**

(58) **Field of Classification Search** D14/420, D14/422, 425, 462-470, 424, 389, 125, 399; D18/54, 55, 50, 53, 36-39, 14, 18-21, 49, D18/46, 52, 56, 51, 54.4; D13/164, 168; 358/400, 401, 448, 474, 486-488, 496, 497, 358/494, 473, 302, 468, 498; 382/312, 317, 382/321, 315; 400/613, 613.1-613.4, 690.1-690.4, 400/691-694, 88, 175; 399/107, 379, 380, 399/211, 212; 235/462.11, 462.41, 472.01, 235/470, 462.43; 361/680, 681; 378/177, 378/187, 188; 101/93.4, 269; 355/78; D24/165, D24/169, 186; 600/502, 503, 499, 494, 490, 600/485, 500, 492, 480, 493, 495, 479; 128/900; 16/286; 347/104, 109, 5; 271/186, 225, 271/126, 121, 137, 138

See application file for complete search history.

(56) **References Cited**

U.S. PATENT DOCUMENTS

D231,539 S * 4/1974 MacConkey D14/462
D249,797 S * 10/1978 Van Acker et al. D18/36
D272,154 S * 1/1984 Saito D18/54

D285,211 S * 8/1986 Nibley et al. D18/55
D286,437 S * 10/1986 Nishibori D24/165
D286,640 S * 11/1986 Miyazaki D18/54
D290,959 S * 7/1987 Ooie D14/462
D293,578 S * 1/1988 Matsumoto et al. D18/55
D295,750 S * 5/1988 Imai D14/422
D301,141 S * 5/1989 Sugimoto D18/54
4,904,100 A * 2/1990 Enix 400/613
D307,157 S * 4/1990 Sakaguchi et al. D18/54
D309,298 S * 7/1990 Pushelberg D14/242
D314,972 S * 2/1991 Osaka et al. D18/54
D315,172 S * 3/1991 Lampe D18/54
D317,014 S * 5/1991 Oyamada et al. D18/54
5,061,097 A * 10/1991 Piatt 400/619
D321,711 S * 11/1991 Yoshihara et al. D18/54
D321,898 S * 11/1991 Kasee et al. D18/55
D322,278 S * 12/1991 Kawashima et al. D18/54
D322,981 S * 1/1992 Tokuda D18/54
D322,982 S * 1/1992 Tashiro D18/54
D323,344 S * 1/1992 Umino et al. D18/54
D324,395 S * 3/1992 Dubson D18/54
D329,862 S * 9/1992 Watanabe et al. D16/208
5,182,697 A * 1/1993 I-Shou 361/679.02
D333,302 S * 2/1993 Ebihara et al. D14/462

(Continued)

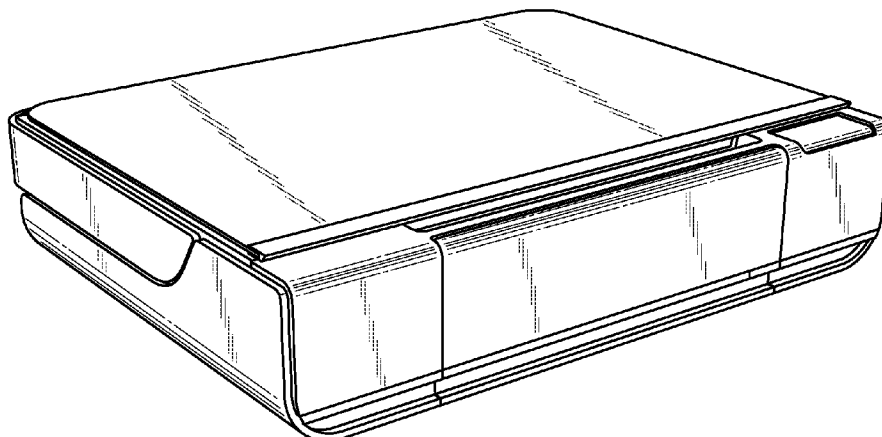
Primary Examiner — Susan Moon Lee

(57) **CLAIM**
The ornamental design for a multi-function imaging and printing device, substantially as shown and described.

DESCRIPTION

FIG. 1 is a top-left-front perspective view of a multi-function imaging and printing device;
FIG. 2 is a top view thereof;
FIG. 3 is a bottom view thereof;
FIG. 4 is a front view thereof;
FIG. 5 is a rear view thereof;
FIG. 6 is a left side view thereof; and,
FIG. 7 is a right side view thereof.
The portions shown in broken lines are for illustrative purposes only and form no part of the claimed design.

1 Claim, 5 Drawing Sheets



U.S. PATENT DOCUMENTS

D337,608	S	*	7/1993	Miyamoto	D18/55
D338,231	S	*	8/1993	Miyamoto	D18/55
D338,487	S	*	8/1993	Martin	D18/50
5,236,265	A	*	8/1993	Saito et al.	400/88
D339,156	S	*	9/1993	Sato et al.	D18/50
D339,157	S	*	9/1993	Miyamoto et al.	D18/50
D339,158	S	*	9/1993	Sato	D18/50
D339,372	S	*	9/1993	Kando	D18/50
D339,576	S	*	9/1993	Sawada et al.	D14/462
D340,065	S	*	10/1993	Fukuda	D18/50
D340,740	S	*	10/1993	Kawashima	D18/50
D343,409	S	*	1/1994	Kobayashi	D18/50
D343,411	S	*	1/1994	Chen	D18/50
D343,637	S	*	1/1994	Umino et al.	D18/55
D345,353	S	*	3/1994	Dietrich	D14/462
D350,764	S	*	9/1994	Gray et al.	D18/19
D352,056	S	*	11/1994	Kawashima et al.	D18/50
D352,731	S	*	11/1994	Sugimoto	D18/50
D354,981	S	*	1/1995	Kobayashi et al.	D18/54
5,423,529	A	*	6/1995	Saito et al.	271/127
D360,621	S	*	7/1995	Schoening	D14/345
D361,084	S	*	8/1995	Yamanaka et al.	D18/50
D362,267	S	*	9/1995	Yamanaka et al.	D18/50
D364,639	S	*	11/1995	Tashiro	D18/50
D368,255	S	*	3/1996	Sasaki et al.	D14/420
D369,617	S	*	5/1996	Sato	D18/54
5,531,431	A	*	7/1996	Saito et al.	271/4.01
D374,888	S	*	10/1996	Udagawa	D18/50
D384,945	S	*	10/1997	Takada et al.	D14/420
D384,969	S	*	10/1997	Inoue et al.	D18/54
5,737,097	A	*	4/1998	Fujimoto	358/476
D401,614	S	*	11/1998	Moriyama	D18/36
D401,965	S	*	12/1998	Pangburn	D18/55
D409,233	S	*	5/1999	Kondo	D18/54
D413,351	S	*	8/1999	Escobedo et al.	D18/50
D420,446	S	*	2/2000	Kehr et al.	D24/186
D428,623	S	*	7/2000	Igarashi	D18/54
D430,894	S	*	9/2000	Inoue	D18/54
D430,895	S	*	9/2000	Inoue	D18/54
D436,123	S	*	1/2001	Ito et al.	D18/54
D439,607	S	*	3/2001	Inoue et al.	D18/54
6,200,043	B1	*	3/2001	Inoue et al.	400/88
D440,246	S	*	4/2001	Yin	D18/50
D443,889	S	*	6/2001	Yamano et al.	D18/50
6,250,827	B1	*	6/2001	Nojima et al.	400/691
D450,345	S	*	11/2001	Miyazaki	D18/50
6,382,761	B1	*	5/2002	Asano et al.	347/19
6,382,858	B1	*	5/2002	Nojima et al.	400/691
D459,389	S	*	6/2002	Kaseno	D18/50
D463,485	S	*	9/2002	Yoshida et al.	D18/50
D466,920	S	*	12/2002	Kawahara et al.	D18/50
D466,921	S	*	12/2002	Senshiki	D18/54
6,556,314	B1	*	4/2003	Shiraishi et al.	358/471
6,568,674	B2	*	5/2003	Matsuda	271/274
D483,059	S	*	12/2003	Goh et al.	D18/50
D483,061	S	*	12/2003	Wong	D18/55
D486,178	S	*	2/2004	Wong et al.	D18/55
D490,845	S	*	6/2004	Fukushima	D18/50
6,786,665	B2	*	9/2004	Hwang et al.	400/693
D497,940	S	*	11/2004	Hwang et al.	D18/50
D523,071	S	*	6/2006	Katayama et al.	D18/50
7,265,869	B2	*	9/2007	Silverbrook et al.	358/1.3
D552,167	S	*	10/2007	Lee et al.	D18/50
D562,378	S	*	2/2008	Kim et al.	D18/50
D563,413	S	*	3/2008	Kuroda et al.	D14/422
D563,958	S	*	3/2008	Genatossio et al.	D14/422
D609,237	S	*	2/2010	Romanoff et al.	D14/422
D609,711	S	*	2/2010	Kuroda et al.	D14/453
D610,146	S	*	2/2010	Kuroda et al.	D14/422
D610,147	S	*	2/2010	Kuroda et al.	D14/422
D610,148	S	*	2/2010	Kuroda et al.	D14/422
D610,149	S	*	2/2010	Kuroda et al.	D14/422
D610,150	S	*	2/2010	Kuroda et al.	D14/453
D610,151	S	*	2/2010	Kuroda et al.	D14/453
D610,152	S	*	2/2010	Kuroda et al.	D14/453
D610,153	S	*	2/2010	Kuroda et al.	D14/453
D610,154	S	*	2/2010	Kuroda et al.	D14/453
D610,155	S	*	2/2010	Kuroda et al.	D14/453
D616,889	S	*	6/2010	Kuroda et al.	D14/422
D619,588	S	*	7/2010	Kuroda et al.	D14/453
D619,589	S	*	7/2010	Kuroda et al.	D14/453
D620,492	S	*	7/2010	Tang et al.	D14/422
D624,544	S	*	9/2010	Kuroda et al.	D14/422
D624,545	S	*	9/2010	Kuroda et al.	D14/422
D624,546	S	*	9/2010	Kuroda et al.	D14/422
D624,547	S	*	9/2010	Kuroda et al.	D14/422
D631,479	S	*	1/2011	Komuro et al.	D14/422
2003/0206762	A1	*	11/2003	Hwang et al.	400/693
2004/0004642	A1	*	1/2004	Koike et al.	347/5
2004/0067089	A1	*	4/2004	Tanaami et al.	400/693

* cited by examiner

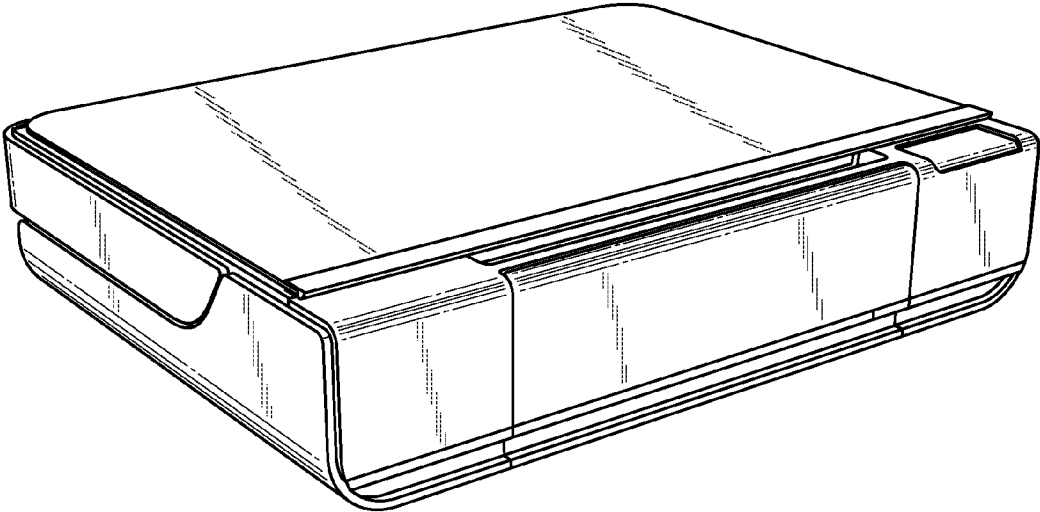


Fig. 1

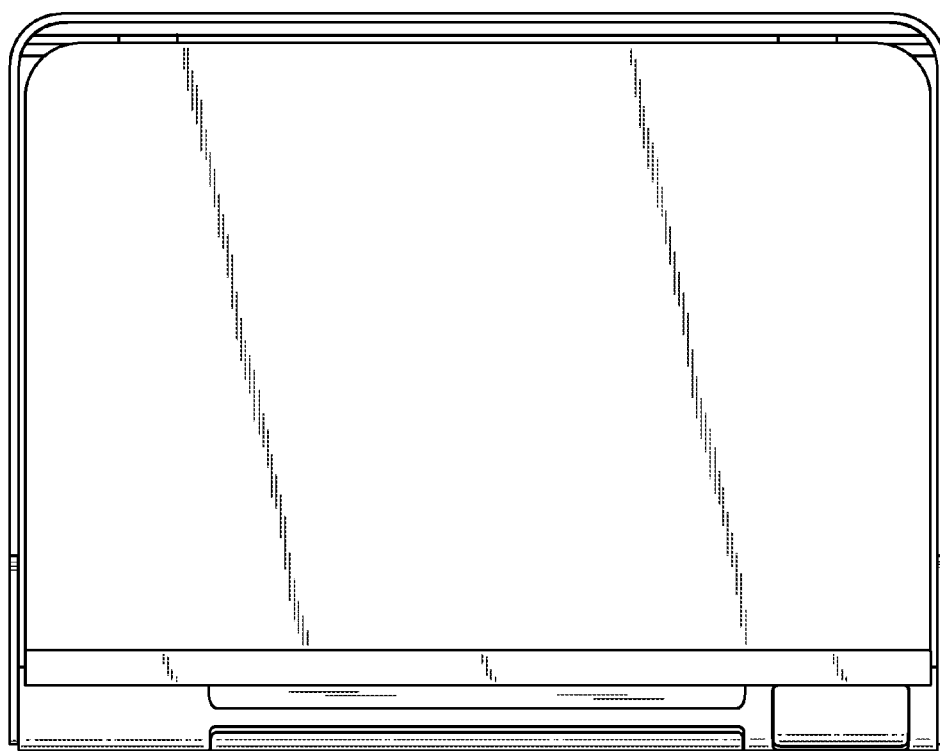


Fig. 2

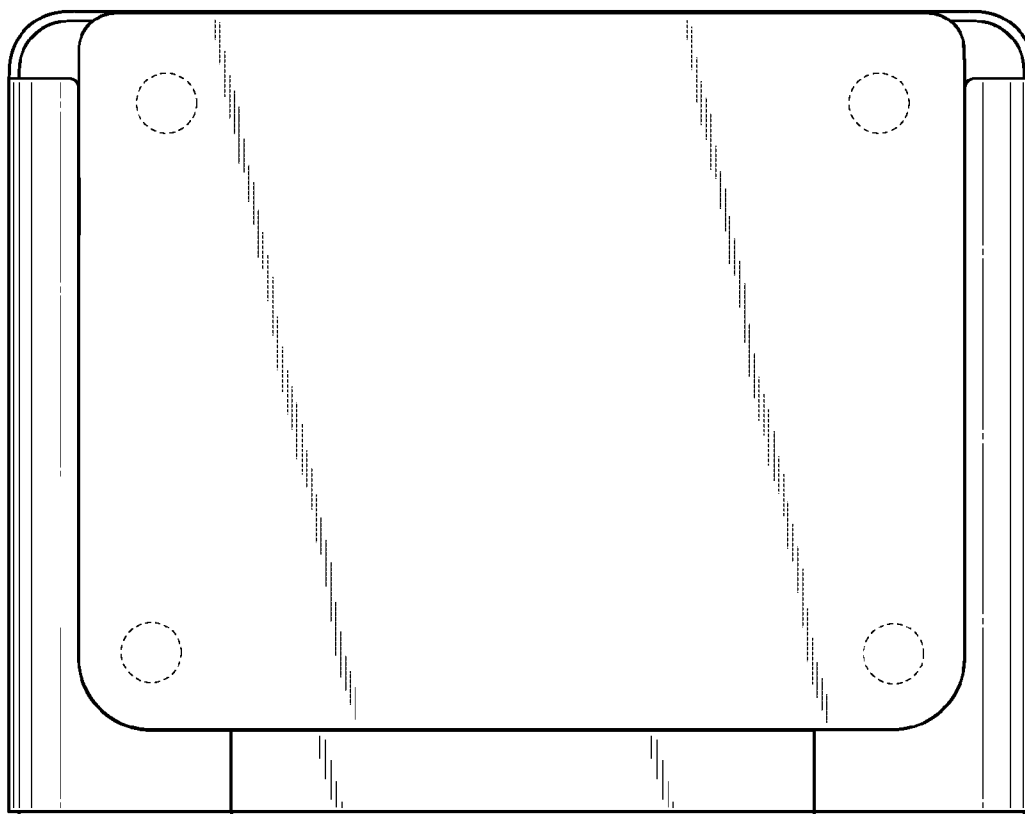


Fig. 3

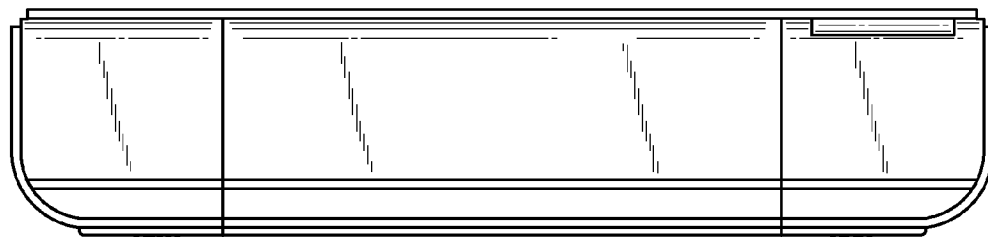


Fig. 4

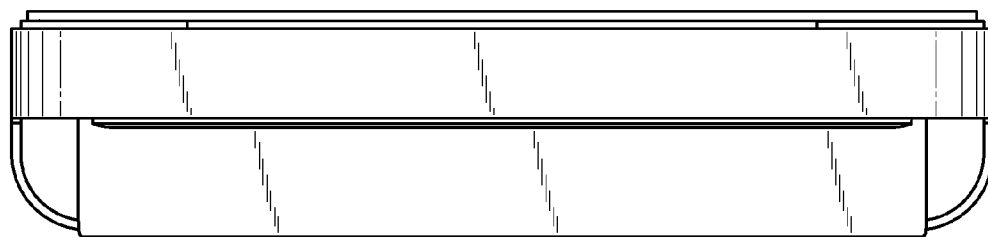


Fig. 5

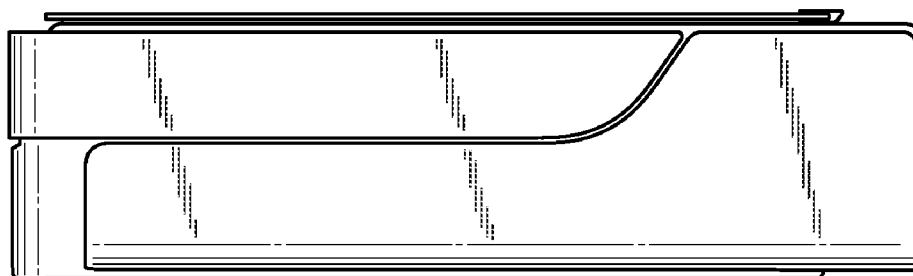


Fig. 6

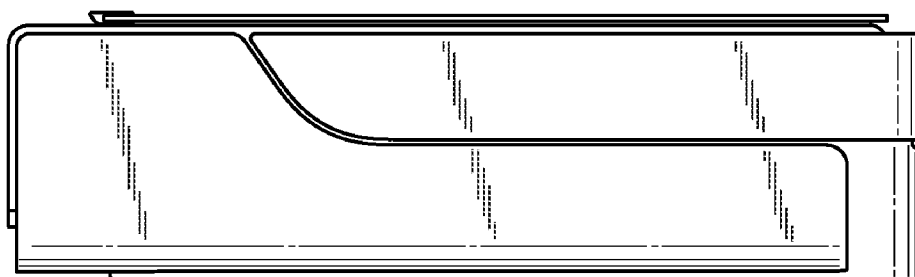


Fig. 7